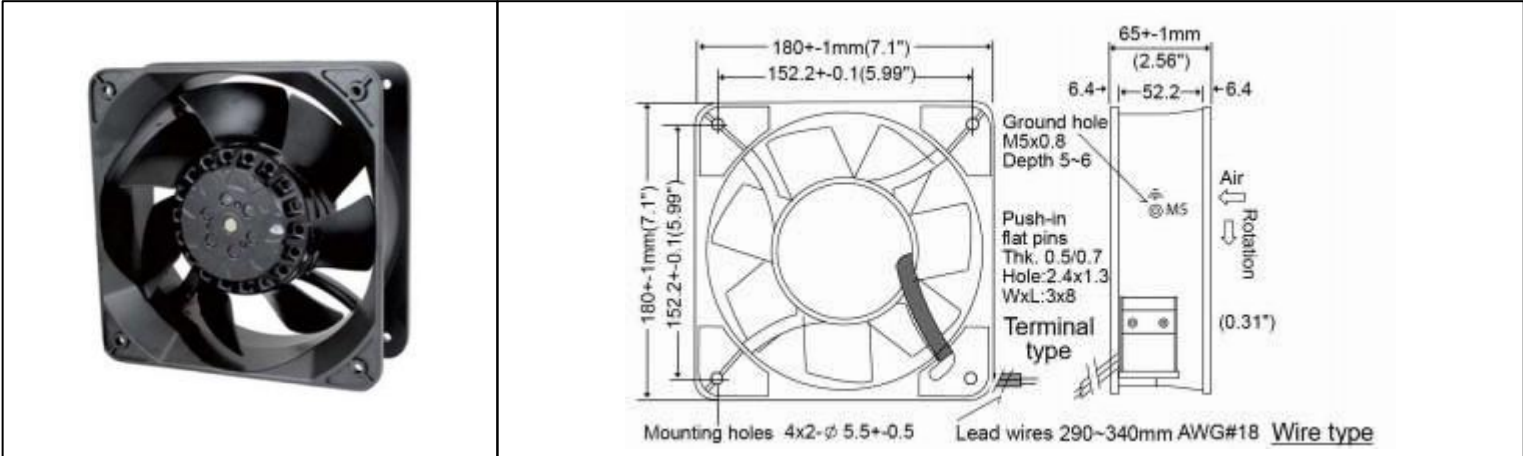


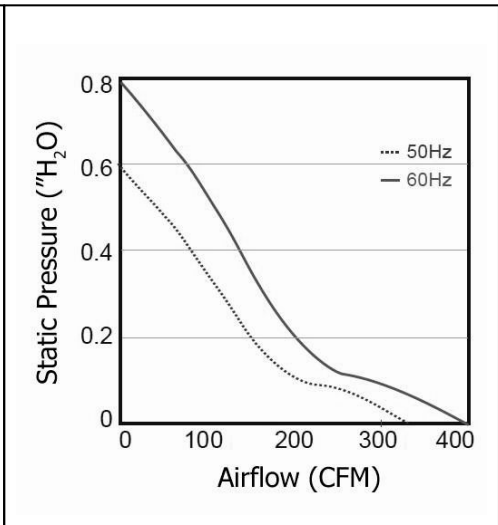
# OA180APL IP69K Series



AC Fan - 115V, 230V  
180mm x 65mm (7.1" x 2.6")



|                       |                                                                                |                                                                                                                                                                                      |
|-----------------------|--------------------------------------------------------------------------------|--------------------------------------------------------------------------------------------------------------------------------------------------------------------------------------|
| Frame                 | Die Cast Aluminum, Black Finish                                                | <b>Operating Temperature</b><br>-20°C ~ +65°C<br><br><b>Storage Temperature</b><br>-20°C ~ +75°C<br><br><b>Life Expectancy</b><br>50,000 Hours (L10 at 55°C)<br><br>Weight: 3.96 lbs |
| Impeller              | Steel, All Metal, 7 Blades                                                     |                                                                                                                                                                                      |
| Connection            | Lead Wires, 18 AWG, or Terminals                                               |                                                                                                                                                                                      |
| Motor                 | AC, Outer Rotor, Capacitor Induction, Single Phase, Thermally Protected, IP69K |                                                                                                                                                                                      |
| Bearing System        | Ball Bearings                                                                  |                                                                                                                                                                                      |
| Dielectric Strength   | 1500VAC/min, <5mA                                                              |                                                                                                                                                                                      |
| Insulation Resistance | ≥10MΩ @ 500V DC                                                                |                                                                                                                                                                                      |



| Part Number          | Rated Voltage (Volts AC) | Voltage Range (Volts AC) | Input Power (Watts) | Frequency (Hertz) | Rated Speed (RPM) | Max Airflow (CFM) | Noise Level (dBA) | Max Static Pressure (H <sub>2</sub> O) |
|----------------------|--------------------------|--------------------------|---------------------|-------------------|-------------------|-------------------|-------------------|----------------------------------------|
| OA180APL-11-1*B1869K | 115                      | 100 ~ 130                | 80                  | 50 / 60           | 3250              | 400               | 65                | 0.8                                    |
| OA180APL-22-1*B1869K | 230                      | 200 ~ 255                | 80                  | 50 / 60           | 3250              | 400               | 65                | 0.8                                    |

\*Insert "T" for Terminal or "W" for Lead Wire  
\*60 Hz Values shown in table