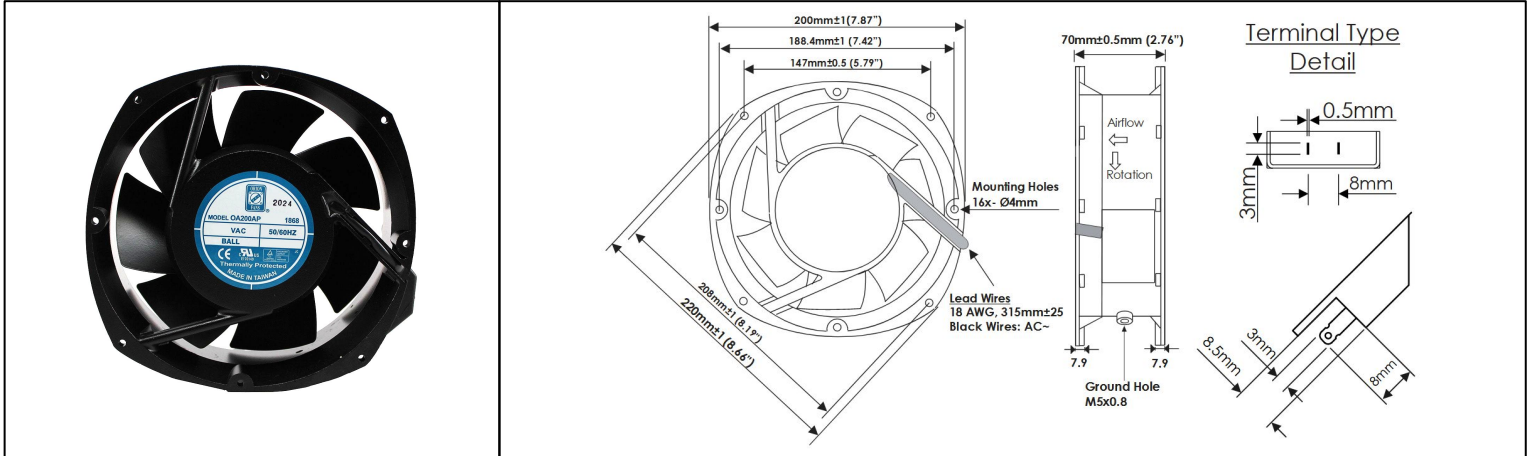


# OA200AP IP Rated Series



AC Fans - 115, 230V  
220mm x 70mm (8.7" x 2.8")



Frame	Die Cast Aluminum, Black Finish	<b>Operating Temperature</b> -30°C ~ +80°C  <b>Storage Temperature</b> -40°C ~ +100°C  <b>Life Expectancy</b> 50,000 Hours (L10 at 55°C)  Weight: 4.63 lbs	
Impeller	Steel, All Metal, 7 Blades		
Connection	Lead Wires, 315mm 18 AWG, or Terminals		
Motor	AC, Capacitor Induction, Single Phase, Thermally Protected, IP68 or IP69K		
Bearing System	Ball Bearings		
Dielectric Strength	1500VAC/min, <1mA		
Insulation Resistance	≥10MΩ @ 500V DC		

Part Number	Rated Voltage (Volts AC)	Voltage Range (Volts AC)	Input Power (Watts)	Frequency (Hertz)	Rated Speed (RPM)	Max Airflow (CFM)	Noise Level (dBA)	Max Static Pressure (\"H <sub>2</sub> O)
OA200AP-11-1*B18xxx	115	100 ~ 130	95 / 105	50 / 60	2775 / 3300	430 / 485	68.2	0.82 / 0.93
OA200AP-22-1*B18xxx	230	200 ~ 255	95 / 105	50 / 60	2775 / 3300	430 / 485	68.2	0.82 / 0.93

\*Insert "T" for Terminal type power connection, or "W" for Wire Lead type power connection.  
xxx Insert "68" for IP68 Rating, or "69K" for IP69K Rating