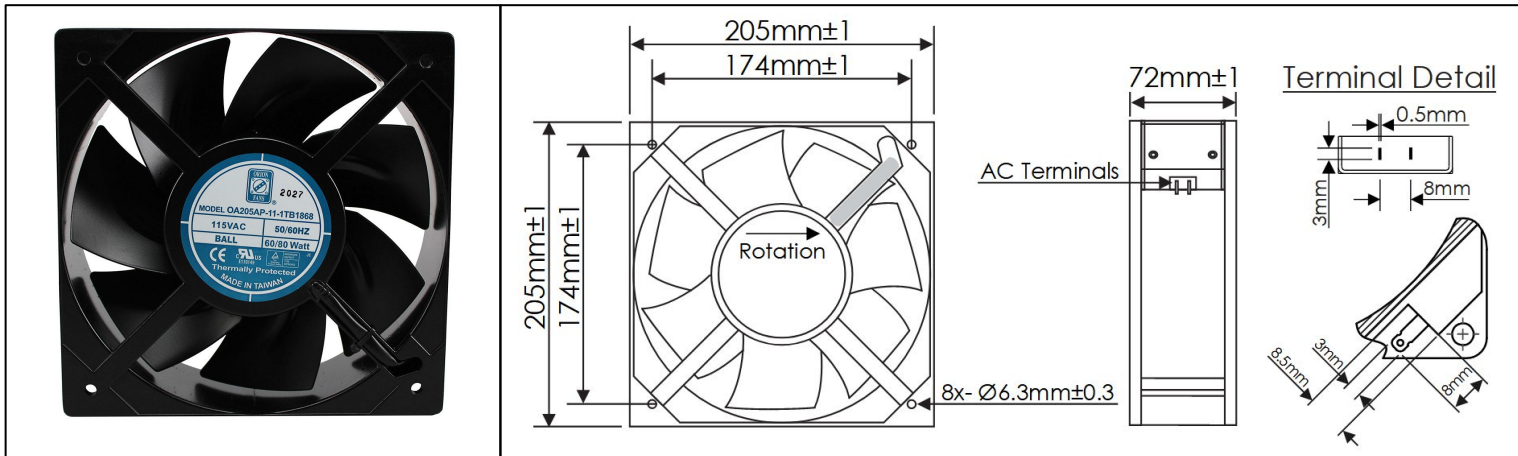


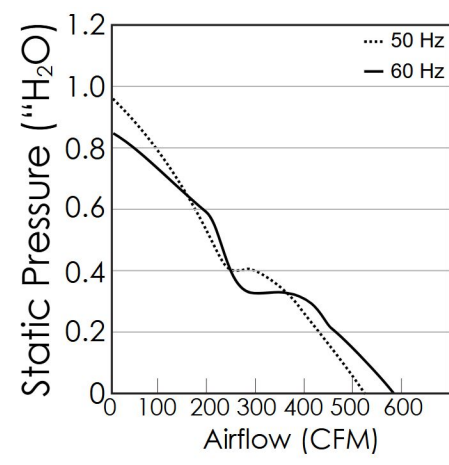
OA205AP IP Rated Series



AC Fans - 115, 230V
205mm x 72mm (8.0" x 2.8")



| | | |
|------------------------------|----------------------------------------------------------------------------------------|----------------------------------------------------------------------------------------------------------------------------------------------------------------------------------------|
| Frame | Die Cast Aluminum, Black | Operating Temperature -30°C ~ +80°C Storage Temperature -40°C ~ +100°C Life Expectancy 50,000 Hours (L10 at 55°C) Weight: 5.18 lbs. |
| Impeller | Steel, All Metal, 7 Blade | |
| Connection | Lead Wires, 300mm 18 AWG, or Terminals | |
| Motor | AC, Outer Rotor, Capacitor Induction, Single Phase, Thermally Protected, IP68 or IP69K | |
| Bearing System | Ball Bearings | |
| Dielectric Strength | 1500VAC/min, <5mA | |
| Insulation Resistance | ≥10MΩ @ 500V DC | |



| Part Number | Rated Voltage (Volts AC) | Voltage Range (Volts AC) | Input Power (Watts) | Frequency (Hertz) | Rated Speed (RPM) | Max Airflow (CFM) | Noise Level (dBA) | Max Static Pressure ("H ₂ O) |
|---------------------|--------------------------|--------------------------|---------------------|-------------------|-------------------|-------------------|-------------------|-----------------------------------------|
| OA205AP-11-1*B18xxx | 115 | 100 ~ 130 | 60 / 80 | 50 / 60 | 2750 / 3000 | 520 / 590 | 67.4 | 0.91 / 0.86 |
| OA205AP-22-1*B18xxx | 230 | 200 ~ 255 | 60 / 80 | 50 / 60 | 2750 / 3000 | 520 / 590 | 67.4 | 0.91 / 0.86 |

*Insert "T" for Terminals, or "W" for Lead Wires
xxx Insert "68" for IP68 Rating, or "69K" for IP69K Rating