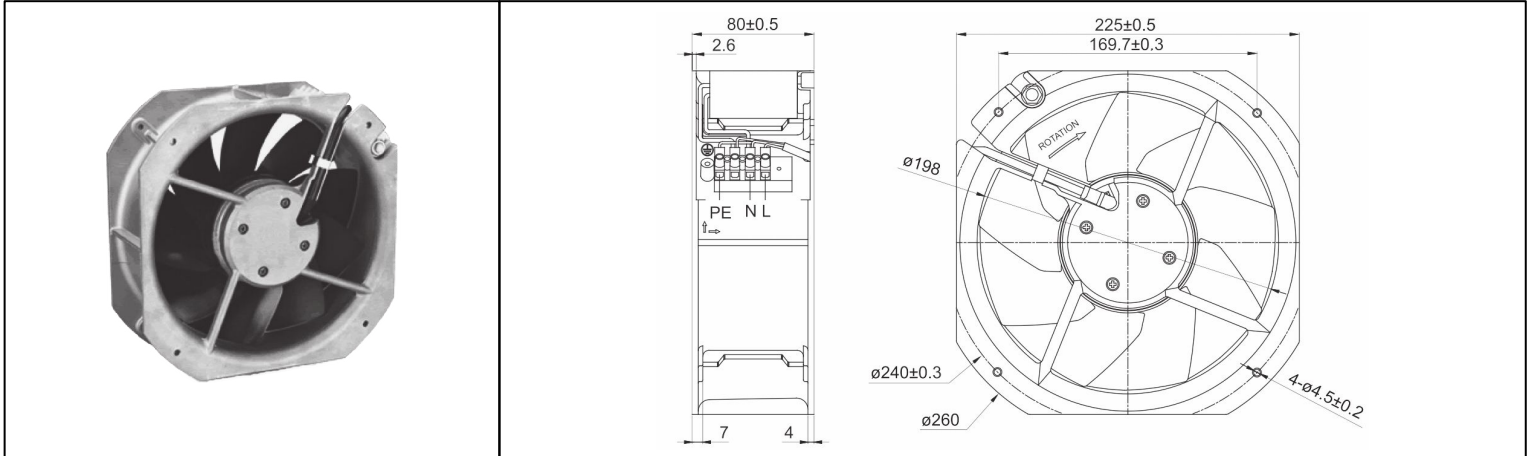


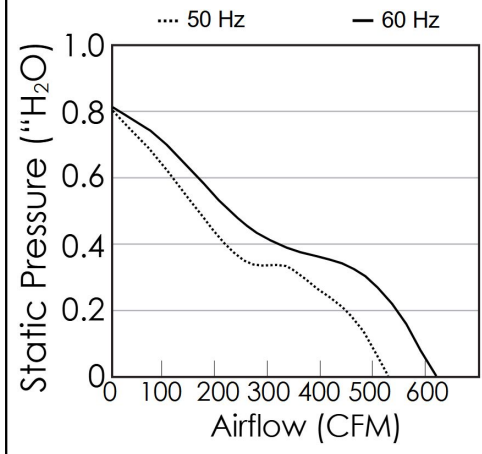
OA225AN Series



AC Fans - 115, 230V
225mm x 80mm (8.9" x 3.2")



Frame	Die Cast Aluminum, Natural Finish	<u>Operating Temperature</u> -40°C ~ +70°C <u>Storage Temperature</u> -40°C ~ +80°C <u>Life Expectancy</u> 40,000 Hours (L10 at 40°C) <u>Available Options</u> Tachometer Output Alarm Output Other Speeds Available Weight: 4.7 lbs.
Impeller	Steel, All Metal, Black Finish	
Connection	Screw-type Terminal Block	
Motor	AC, Capacitor Induction, Outer Rotor, Single Phase, Thermally Protected, Class F Insulation	
Bearing System	Ball Bearings	
Dielectric Strength	1500VAC/min, <5mA	
Insulation Resistance	≥100MΩ @ 500VAC	



Part Number	Rated Voltage (Volts AC)	Voltage Range (Volts AC)	Frequency (Hz)	Input Power (Watts)	Locked Current (Amps)	Rated Current (Amps)	Rated Speed (RPM)	Max Airflow (CFM)	Noise Level (dBA)	Max Static Pressure (\"H ₂ O)
OA225AN-11-1TB18	115	100 ~ 130	50 / 60	81 / 98	1.24 / 1.31	0.76 / 0.86	2550 / 2800	530 / 620	59 / 61	0.80 / 0.81
OA225AN-22-1TB18	230	200 ~ 255	50 / 60	73 / 86	0.60 / 0.61	0.35 / 0.37	2550 / 2800	530 / 620	59 / 61	0.80 / 0.81