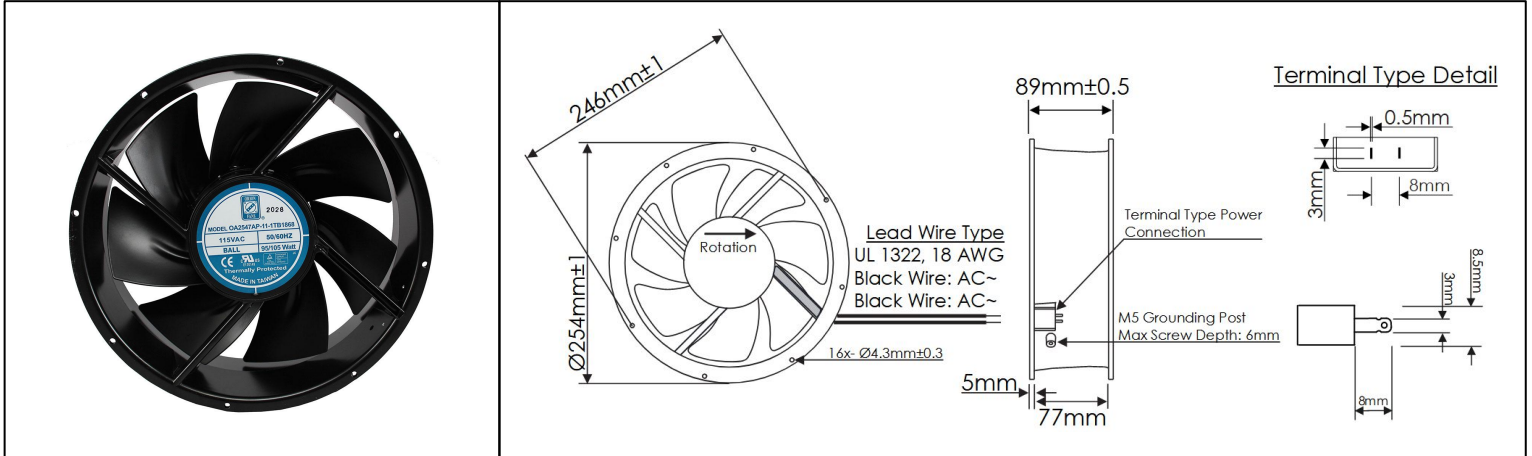


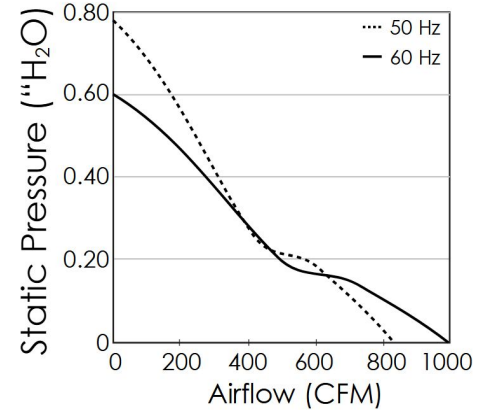
OA2547AP IP Rated Series



AC Fans - 115, 230V
254mm x 89mm (10" x 3.5")



Frame	Die Cast Aluminum, Black	Operating Temperature -30°C ~ +80°C Storage Temperature -40°C ~ +100°C Life Expectancy 50,000 Hours (L10 at 55°C) Available Options Tachometer Output Alarm Output Other Speeds Weight: 5.6 lbs
Impeller	Steel, 7 Blades	
Connection	Lead Wires, 18 AWG, or Terminals	
Motor	AC, Capacitor Induction, Outer Rotor, Single Phase, Thermally Protected, IP Rated	
Bearing System	Ball Bearings	
Dielectric Strength	1500VAC/min, <5mA	
Insulation Resistance	≥10MΩ @ 500 VDC	



Part Number	Rated Voltage (Volts AC)	Voltage Range (Volts AC)	Input Power (Watts)	Frequency (Hertz)	Rated Speed (RPM)	Max Airflow (CFM)	Noise Level (dBA)	Max Static Pressure (\"H ₂ O)
OA2547AP-11-1*B18xxx	115	100 ~ 130	95 / 105	50 / 60	2775 / 3250	830 / 1000	70	0.78 / 0.60
OA2547AP-22-1*B18xxx	230	200 ~ 255	95 / 105	50 / 60	2775 / 3250	830 / 1000	70	0.78 / 0.60

*Insert "T" for Terminals, or "W" for Lead Wires
xxx Insert "68" for IP68 Rating, or "69K" for IP69K Rating