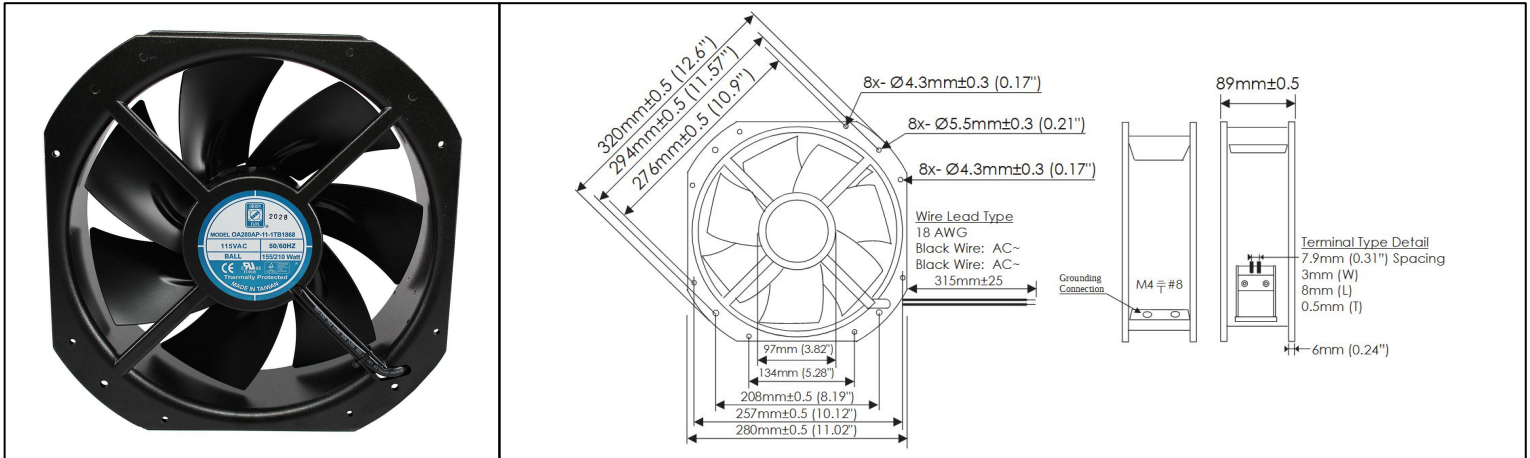


# OA280AP IP Rated Series



AC Fans - 115, 230V  
280mm x 89mm  
(11.0" x 3.5")



<b>Frame</b>	Die Cast Aluminum, Black Finish	<b>Operating Temperature</b> -30°C ~ +80°C  <b>Storage Temperature</b> -40°C ~ +100°C  <b>Life Expectancy</b> 50,000 Hours (L10 at 55°C)  <b>Installed Options</b> IP68 or IP69K Rated Motor  <b>Weight:</b> 7.4 lbs	
<b>Impeller</b>	Steel Alloy, Black Finish		
<b>Connection</b>	Lead Wires, 18 AWG, or Terminals		
<b>Motor</b>	AC, Capacitor Induction, Single Phase, Thermally Protected, IP68 or IP69K		
<b>Bearing System</b>	Ball Bearings		
<b>Dielectric Strength</b>	1500VAC/min, <1mA		
<b>Insulation Resistance</b>	≥10MΩ @ 500V DC		

Part Number	Rated Voltage (Volts AC)	Voltage Range (Volts AC)	Frequency (Hertz)	Input Power (Watts)	Rated Speed (RPM)	Max Airflow (CFM)	Noise Level (dBA)	Max Static Pressure ("H <sub>2</sub> O)
OA280AP-11-1*B18***	115	100 ~ 125	50 / 60	155 / 210	2775 / 3150	1150 / 1300	73	1.2 / 0.75
OA280AP-22-1*B18***	230	200 ~ 240	50 / 60	155 / 210	2775 / 3150	1150 / 1300	73	1.2 / 0.75

\* Substitute "T" for Terminal connection type, or "W" for Lead Wire connection type.  
 \*\*\* Substitute "68" for IP68 Rating, or "69K" for IP69K Rating.