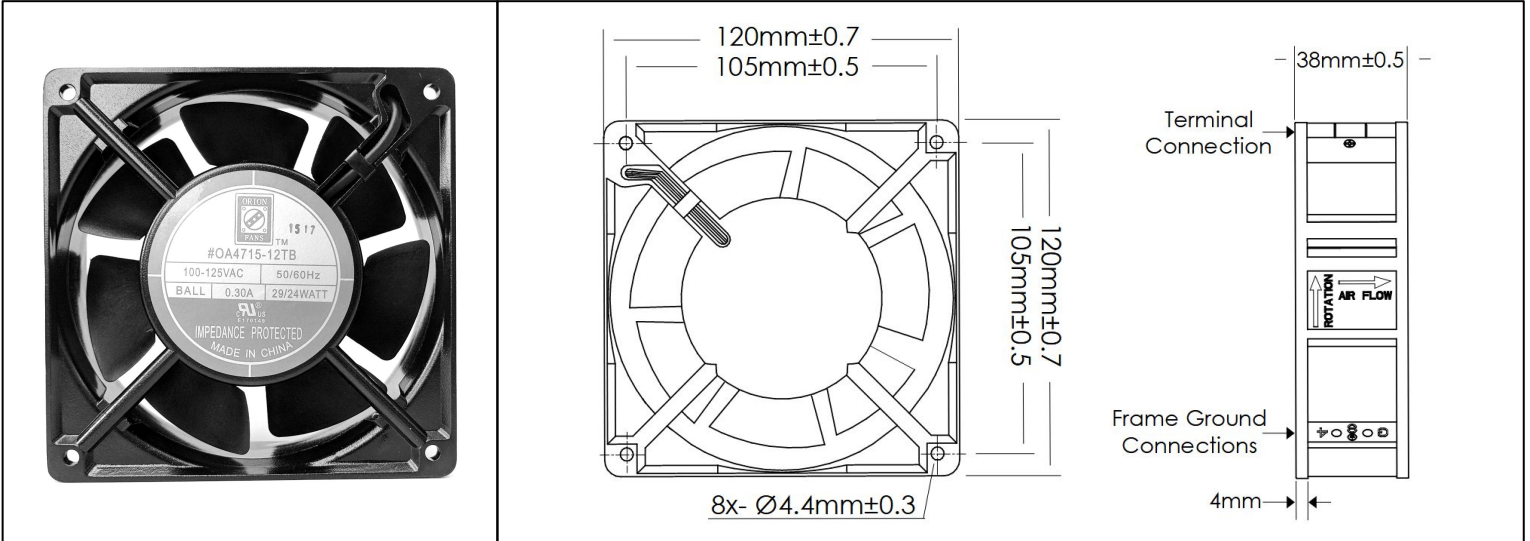


# OA4715 'Challenger Series'



AC Fan, 115V / 230V  
120x120x38mm (4.72"x1.50")



<b>Frame</b>	Die Cast Aluminum, Black	<b>Operating Temperature</b> -40°C ~ +70°C  <b>Storage Temperature</b> -40°C ~ +80°C  <b>Life Expectancy</b> 50,000 hours (L10 at 25°C)  Weight: 1.11 lbs
<b>Impeller</b>	PBT, UL94 V-0 plastic	
<b>Connection</b>	Terminals	
<b>Motor</b>	AC Shaded Pole, Impedance Protected	
<b>Bearing System</b>	Dual Ball Bearings	
<b>Dielectric Strength</b>	1500VAC/min, ≤ 1mA	
<b>Insulation Resistance</b>	100MΩ minimum at 500 VDC between leadwires and frame	

\*60 Hz values shown

Part Number	Rated Voltage	Rated Input (Watts)	Rated Current (Amps)	Rated Speed (RPM)	Airflow (CFM)	Noise Level (dBA)	Max. Static Pressure (\"H2O)
OA4715-12TB	115 VAC	29W @ 50 Hz 24W @ 60 Hz	0.30A @ 50/60Hz	2575 @ 50Hz 2980 @ 60 Hz	96.7 @ 50 Hz 110 @ 60 Hz	40.4 @ 50Hz 44.2 @ 60 Hz	0.29\" @ 50 Hz 0.37\" @ 60 Hz
OA4715-23TB	230 VAC	28W @ 50 Hz 24W @ 60 Hz	0.20A @ 50/60Hz	2575 @ 50Hz 2980 @ 60 Hz	96.7 @ 50 Hz 110 @ 60 Hz	40.4 @ 50Hz 44.2 @ 60 Hz	0.29\" @ 50 Hz 0.37\" @ 60 Hz