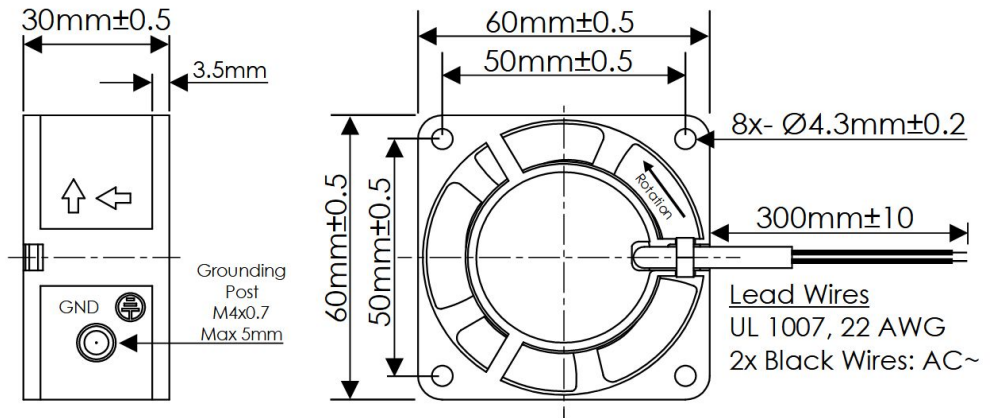


OA60AP Series



AC Fans - 115, 230V
60mm x 30mm (2.36" x 1.18")



Frame	Die Cast Aluminum, Black Finish	Operating Temperature -40°C ~ +70°C Storage Temperature -40°C ~ +80°C Life Expectancy 40,000 Hours (L10 at 40°C) Weight: 0.31 lbs	
Impeller	PBT, UL 94 V-0 Plastic		
Connection	2x Wire Leads, 22 AWG		
Motor	AC Shaded Pole, Impedance Protected		
Bearing System	Ball Bearings		
Dielectric Strength	1500VAC/min, <1mA		
Insulation Resistance	≥10MΩ @ 500 VDC		

Part Number	Rated Voltage (Volts AC)	Voltage Range (Volts AC)	Frequency (Hertz)	Input Power (Watts)	Rated Current (Max Amps)	Rated Speed (RPM)	Max Airflow (CFM)	Noise Level (dBA)	Max Static Pressure (\"H ₂ O)
OA60AP-11-1WB	115	105 ~ 130	50 / 60	5 / 4	0.064 / 0.056	2400 / 3000	7.8 / 9.9	28.3	0.06 / 0.10
OA60AP-22-1WB	230	210 ~ 255	50 / 60	5 / 4	0.035 / 0.030	2400 / 3000	7.8 / 9.9	28.3	0.06 / 0.10