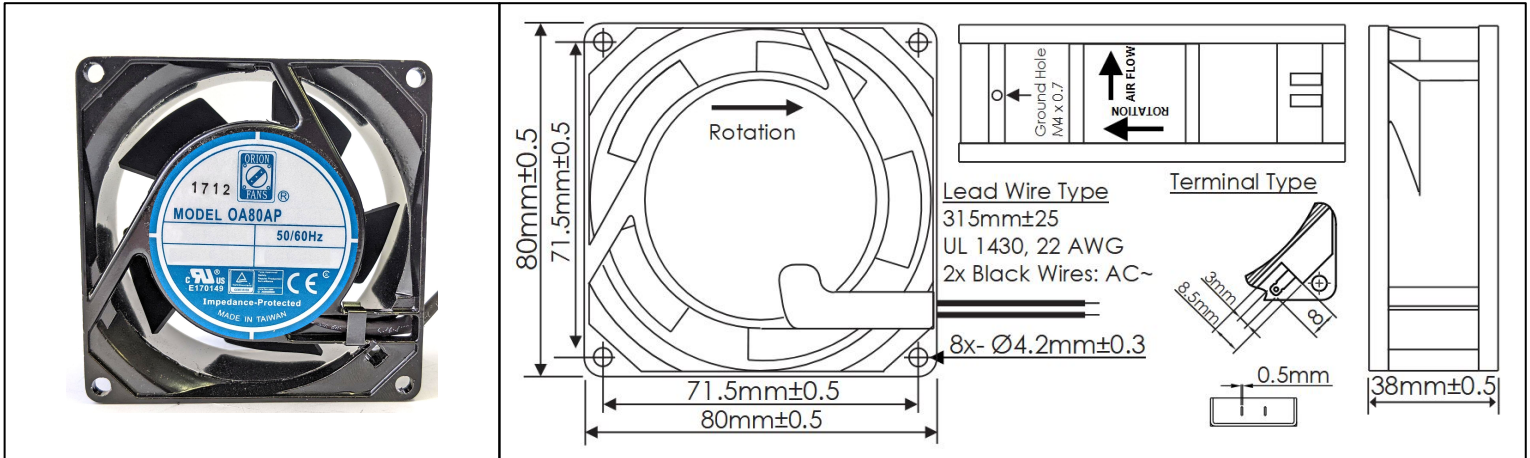


# OA80AP Series



AC Fans - 115, 230V  
80mm x 38mm (3.2" x 1.5")



<b>Frame</b>	Die Cast Aluminum, Black Finish	<u>Operating Temperature</u> -20°C ~ +80°C  <u>Storage Temperature</u> -40°C ~ +80°C  <u>Life Expectancy</u> 60K Hours (L10 @ 30°C)  Weight: 0.62 lbs.	
<b>Impeller</b>	PBT, UL94 V-0 Plastic		
<b>Connection</b>	2x Lead Wires, 22 AWG, or Terminals		
<b>Motor</b>	Shaded Pole, Single Phase, Impedance Protected		
<b>Bearing System</b>	Ball Bearing		
<b>Dielectric Strength</b>	1500VAC/min, <1mA		
<b>Insulation Resistance</b>	≥10M Ohm @ 500 VAC		

Part Number	Rated Voltage (Volts AC)	Voltage Range (Volts AC)	Frequency (Hertz)	Input Power (Watts)	Rated Speed (RPM)	Max Airflow (CFM)	Noise Level (dBA)	Max Static Pressure (" H2O)
OA80AP-11-1*B	115	100 ~ 125	50 / 60	14 / 12	2400 / 2800	25 / 30	31.3 / 34.2	0.15 / 0.21
OA80AP-11-2*B	115	100 ~ 125	50 / 60	11 / 9	2100 / 2375	21 / 23	24.1 / 26.3	0.12 / 0.16
OA80AP-11-3*B	115	100 ~ 125	50 / 60	7 / 5	1750 / 1725	17 / 16	20.4 / 20.1	0.11 / 0.09
OA80AP-22-1*B	230	200 ~ 245	50 / 60	14 / 12	2400 / 2800	25 / 30	31.3 / 34.2	0.15 / 0.21
OA80AP-22-2*B	230	200 ~ 245	50 / 60	11 / 9	2100 / 2375	21 / 23	24.1 / 26.3	0.12 / 0.16
OA80AP-22-3*B	230	200 ~ 245	50 / 60	7 / 5	1750 / 1725	17 / 16	20.4 / 20.1	0.11 / 0.09

\*Insert "T" for Terminal Type Power Connection, "W" for Wire Lead Type Power Connection