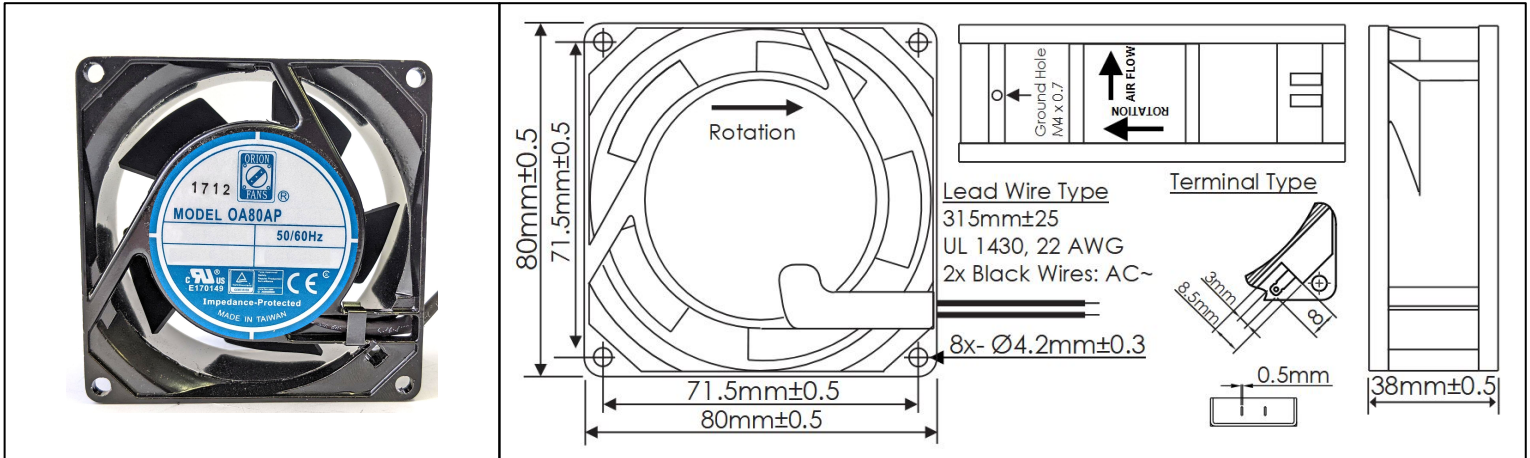


# OA80AP Series



AC Fans - 115, 230V  
80mm x 38mm (3.2" x 1.5")



|                              |  |   |  |
|------------------------------|--|---|--|
| <b>Frame</b>                 | Die Cast Aluminum, Black Finish                | <u>Operating Temperature</u><br>-20°C ~ +80°C<br><br><u>Storage Temperature</u><br>-40°C ~ +80°C<br><br><u>Life Expectancy</u><br>60K Hours (L10 @ 30°C)<br><br>Weight: 0.62 lbs. |  |
| <b>Impeller</b>              | PBT, UL94 V-0 Plastic                          |   |  |
| <b>Connection</b>            | 2x Lead Wires, 22 AWG, or Terminals            |   |  |
| <b>Motor</b>                 | Shaded Pole, Single Phase, Impedance Protected |   |  |
| <b>Bearing System</b>        | Ball Bearing                                   |   |  |
| <b>Dielectric Strength</b>   | 1500VAC/min, <1mA                              |   |  |
| <b>Insulation Resistance</b> | ≥10M Ohm @ 500 VAC                             |   |  |

| Part Number   | Rated Voltage (Volts AC) | Voltage Range (Volts AC) | Frequency (Hertz) | Input Power (Watts) | Rated Speed (RPM) | Max Airflow (CFM) | Noise Level (dBA) | Max Static Pressure (" H2O) |
|---------------|--------------------------|--------------------------|-------------------|---------------------|-------------------|-------------------|-------------------|-----------------------------|
| OA80AP-11-1*B | 115                      | 100 ~ 125                | 50 / 60           | 14 / 12             | 2400 / 2800       | 25 / 30           | 31.3 / 34.2       | 0.15 / 0.21                 |
| OA80AP-11-2*B | 115                      | 100 ~ 125                | 50 / 60           | 11 / 9              | 2100 / 2375       | 21 / 23           | 24.1 / 26.3       | 0.12 / 0.16                 |
| OA80AP-11-3*B | 115                      | 100 ~ 125                | 50 / 60           | 7 / 5               | 1750 / 1725       | 17 / 16           | 20.4 / 20.1       | 0.11 / 0.09                 |
| OA80AP-22-1*B | 230                      | 200 ~ 245                | 50 / 60           | 14 / 12             | 2400 / 2800       | 25 / 30           | 31.3 / 34.2       | 0.15 / 0.21                 |
| OA80AP-22-2*B | 230                      | 200 ~ 245                | 50 / 60           | 11 / 9              | 2100 / 2375       | 21 / 23           | 24.1 / 26.3       | 0.12 / 0.16                 |
| OA80AP-22-3*B | 230                      | 200 ~ 245                | 50 / 60           | 7 / 5               | 1750 / 1725       | 17 / 16           | 20.4 / 20.1       | 0.11 / 0.09                 |

\*Insert "T" for Terminal Type Power Connection, "W" for Wire Lead Type Power Connection