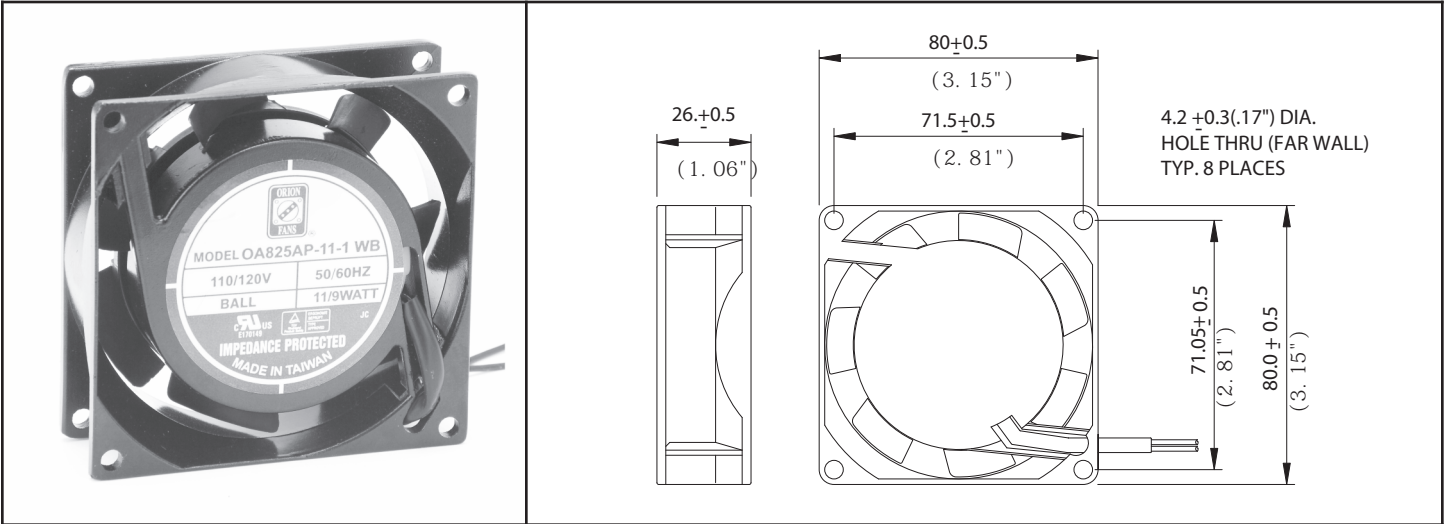


OA825 Series



AC Fan - 115V, 230V
80 x 25mm (3.15" x 1.0")



| | | | |
|-----------------------|--|--|--|
| Frame | Diecast Aluminum | <u>Operating Temperature</u> Ball Bearing -20C ~ +80C Sleeve Bearing -10C ~ +50C Storage Temp -40C ~ +80C <u>Life Expectancy</u> Ball Bearing 60,000 hours (L10 at 40C) Sleeve Bearing 30,000 hours (L10 at 40C) Weight: ~ 0.57 lbs. m0 | |
| Impeller | PBT, UL94V-0 plastic | | |
| Connection | 2x Lead Wires 22 AWG or terminals | | |
| Motor | Shaded pole, impedance protected | | |
| Bearing System | Dual ball or Sleeve | | |
| Insulation Resistance | >100M ohm between lead-wire and frame (500VDC) | | |
| Dielectric Strength | 1 min at 1500 VAC, 50/60Hz | | |

| Model Number | Speed (RPM) | Airflow (CFM) | Noise (dB) | Volts AC | Voltage Range | Watts | Max. Static Pressure (\"H ₂ O) |
|----------------|-------------|---------------|------------|----------|---------------|-------|---|
| OA825AP-11-1 * | 3000 | 25 | 28 | 115 | 80~130 | 9 | .21 |
| OA825AP-11-2 * | 2300 | 18 | 24 | 115 | 80~130 | 6 | .14 |
| OA825AP-11-3 * | 1900 | 16 | 19 | 115 | 80~130 | 4 | .11 |
| OA825AP-22-1 * | 3000 | 25 | 28 | 230 | 160~260 | 9 | .21 |
| OA825AP-22-2 * | 2300 | 18 | 24 | 230 | 160~260 | 6 | .14 |
| OA825AP-22-3 * | 1900 | 16 | 19 | 230 | 160~260 | 4 | .11 |

* Indicate "TB" (Terminal Ball Bearing), "WB" (12" Wire Leads, Ball Bearing), "TS" (Terminal, Sleeve Bearing), "WS" (12" Wire Leads, Sleeve Bearing)