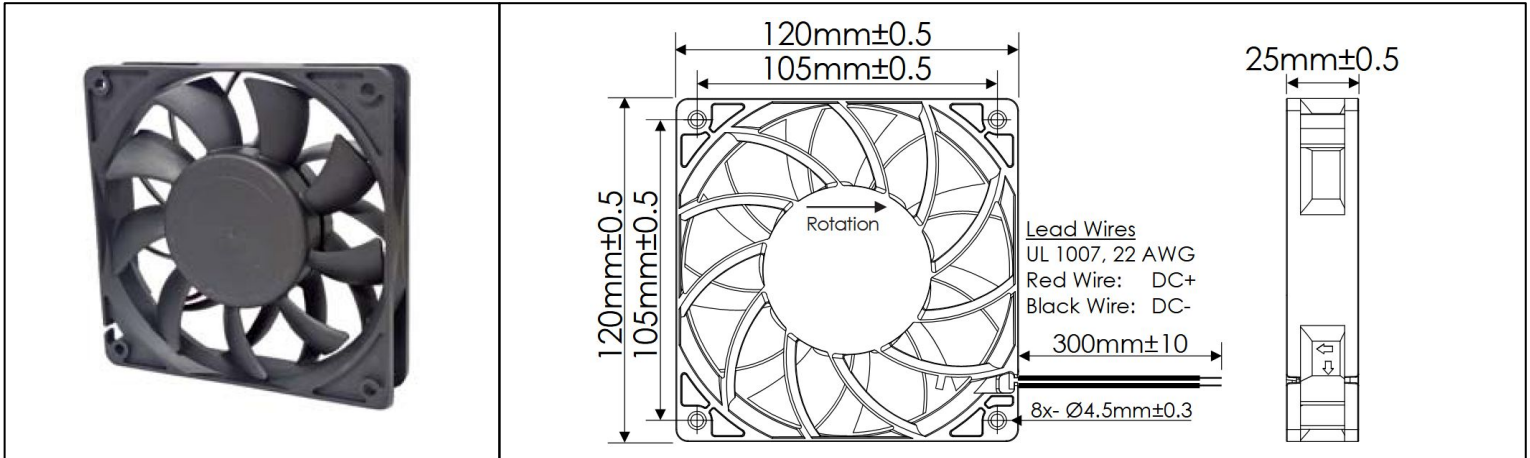


OD1225 VXE Series



DC Fans - 12, 24, 48V
120mm x 25mm (4.7" x 1.0")



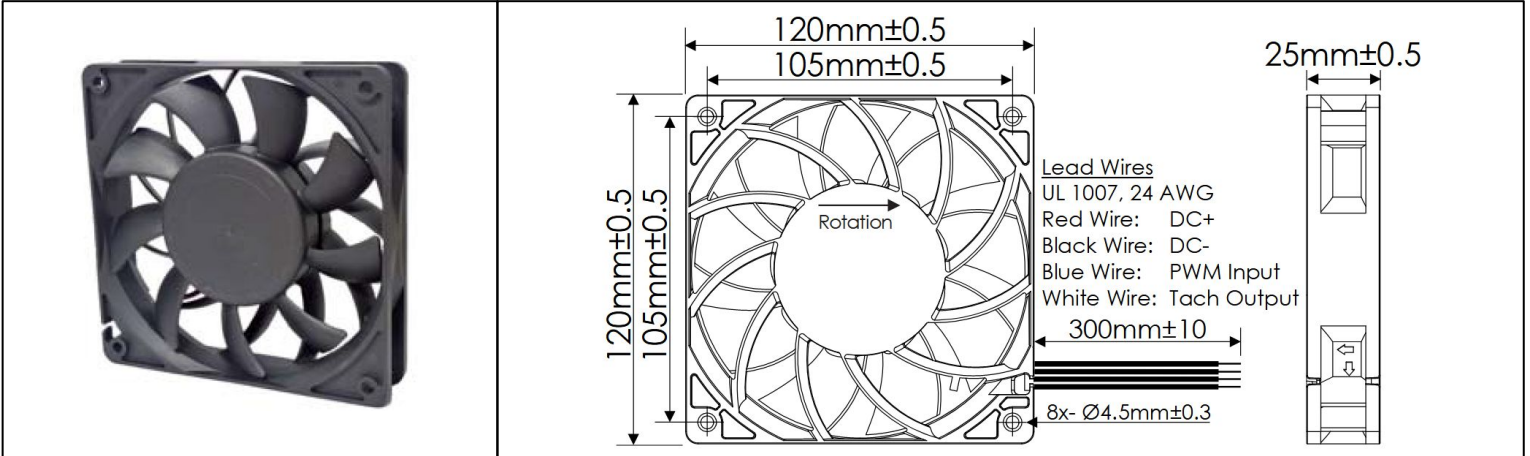
| | | | |
|------------------------------|---|--|--|
| Frame | PBT, UL94 V-0 Plastic | Operating Temperature -20°C ~ +65°C Storage Temperature -25°C ~ +75°C Life Expectancy 70,000 Hours (L10 at 40°C) Available Options PWM Speed Control Input Thermal Speed Control 0-10V Speed Control Tachometer Output Alarm Output IP Ratings Weight: 0.45 lbs | |
| Impeller | PBT, UL94 V-0 Plastic | | |
| Connection | 2x Lead Wires, 22 AWG | | |
| Motor | Brushless DC, Auto Cutoff, Auto Restart, Polarity Protected, Electronically Protected | | |
| Bearing System | Ball Bearings | | |
| Dielectric Strength | 500VDC/min, <1mA | | |
| Insulation Resistance | ≥10MΩ @ 500 VDC | | |

| Part Number | Rated Voltage (Volts DC) | Voltage Range (Volts DC) | Input Power (Watts Max) | Rated Current (Amps Max) | Rated Speed (RPM) | Max Airflow (CFM) | Noise Level (dBA) | Max Static Pressure ("H ₂ O) |
|----------------|--------------------------|--------------------------|-------------------------|--------------------------|-------------------|-------------------|-------------------|---|
| OD1225-12HBVXE | 12 | 10 ~ 13.8 | 16.8 | 1.40 | 4000 | 158.7 | 57.3 | 0.49 |
| OD1225-24HBVXE | 24 | 15 ~ 26 | 20.4 | 0.85 | 4000 | 158.7 | 57.3 | 0.49 |
| OD1225-48HBVXE | 48 | 28 ~ 52 | 14.4 | 0.30 | 4000 | 158.7 | 57.3 | 0.49 |

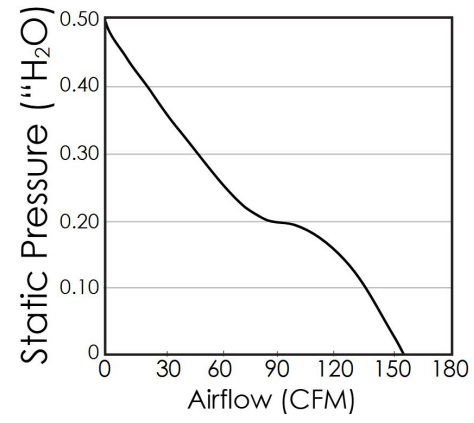
OD1225 VXE Series with PWM and Tach



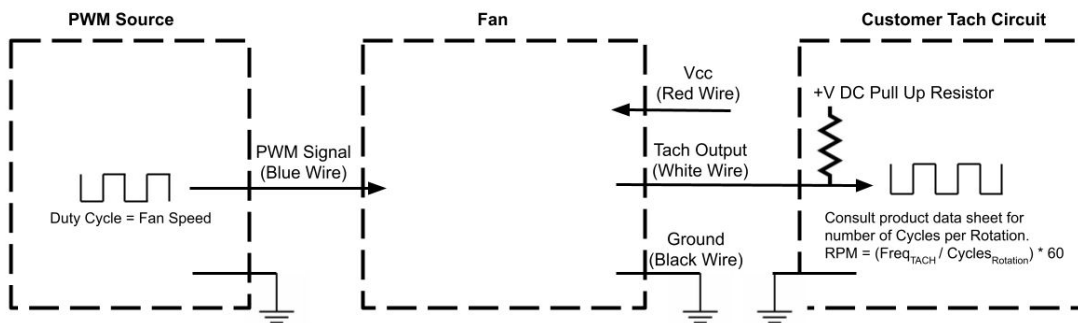
DC Fans - 12, 24, 48V
120mm x 25mm (4.7" x 1.0")



| | | |
|------------------------------|---|---|
| Frame | PBT, UL94 V-0 Plastic | Operating Temperature -20°C ~ +65°C Storage Temperature -25°C ~ +75°C Life Expectancy 70,000 Hours (L10 at 40°C) Installed Options PWM Speed Control Input Open Collector Tach Output Weight: 0.45 lbs |
| Impeller | PBT, UL94 V-0 Plastic | |
| Connection | 4x Lead Wires, 24 AWG | |
| Motor | Brushless DC, Auto Cutoff, Auto Restart, Polarity Protected, Electronically Protected | |
| Bearing System | Ball Bearings | |
| Dielectric Strength | 500VDC/min, <1mA | |
| Insulation Resistance | ≥10MΩ @ 500 VDC | |



| Part Number | Rated Voltage (Volts DC) | Voltage Range (Volts DC) | Input Power (Watts Max) | Rated Current (Amps Max) | Rated Speed (RPM) | Max Airflow (CFM) | Noise Level (dBA) | Max Static Pressure (\"H ₂ O) |
|-------------------|--------------------------|--------------------------|-------------------------|--------------------------|-------------------|-------------------|-------------------|--|
| OD1225-12HBVXE10A | 12 | 10 ~ 13.8 | 16.8 | 1.40 | 4000 | 158.7 | 57.3 | 0.49 |
| OD1225-24HBVXE10A | 24 | 15 ~ 26 | 20.4 | 0.85 | 4000 | 158.7 | 57.3 | 0.49 |
| OD1225-48HBVXE10A | 48 | 28 ~ 52 | 14.4 | 0.30 | 4000 | 158.7 | 57.3 | 0.49 |



Tach Max Pullup Voltage: Fan Vcc
 Tach Max Sink Current: 5mA
 Tach Cycles per Rotation: 2
 PWM Max High Voltage: 5V
 PWM Max Sink Current: 5mA
 PWM Frequency Range: 1KHz-100KHz
 PWM Typical Frequency: 25KHz
 RPM at 0% Duty Cycle: 0 RPM
 RPM will be full speed if PWM input is disconnected.

