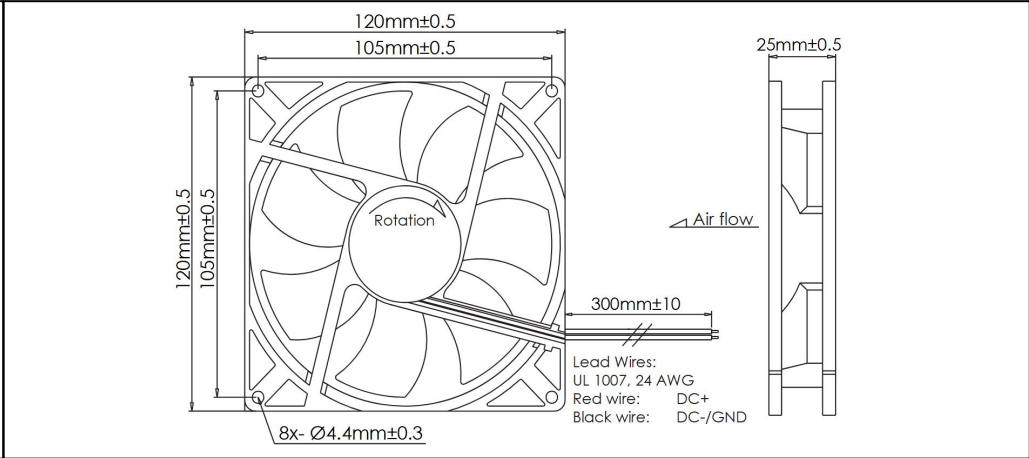


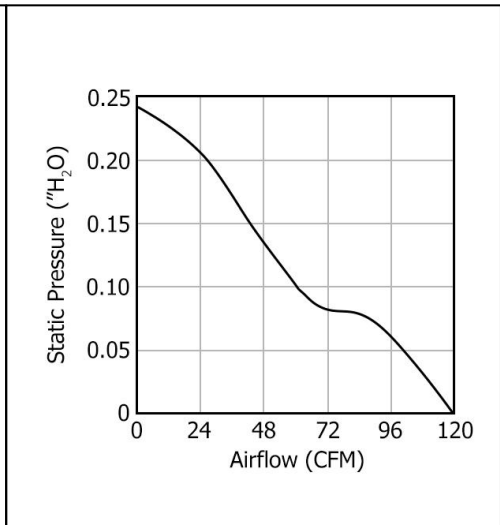
# OD1225 IP69K Series



DC Fans - 12, 24, 48V  
120mm x 25mm (4.7" x 1.0")



Frame	PBT, UL94 V-0 Plastic	<b>Operating Temperature</b> -20°C ~ +65°C  <b>Storage Temperature</b> -20°C ~ +80°C  <b>Life Expectancy</b> 60,000 Hours (L10 at 35°C)  <b>Available Options</b> PWM Speed Control Input Tachometer Output Alarm Output 5 Volt Models  Weight: 0.34 lbs.
Impeller	PBT, UL94 V-0 Plastic	
Connection	2x Lead Wires, 24 AWG	
Motor	Brushless DC, Auto Restart, Auto Cutoff, Polarity Protected, Electronically Protected, IP69K	
Bearing System	Ball Bearings	
Dielectric Strength	500VDC/min, <1mA	
Insulation Resistance	≥10MΩ @ 500 VDC	



Part Number	Rated Voltage (Volts DC)	Voltage Range (Volts DC)	Input Power (Watts)	Rated Current (Amps)(Max)	Rated Speed (RPM)	Max Airflow (CFM)	Noise Level (dBA)	Max Static Pressure (H <sub>2</sub> O)
OD1225-12HBIP69K	12	8 ~ 13.8	5.4	0.45	3100	120	42	0.24"
OD1225-24HBIP69K	24	15 ~ 26	7.7	0.32	3100	120	42	0.24"
OD1225-48HBIP69K	48	28 ~ 52	4.3	0.09	3100	120	42	0.24"