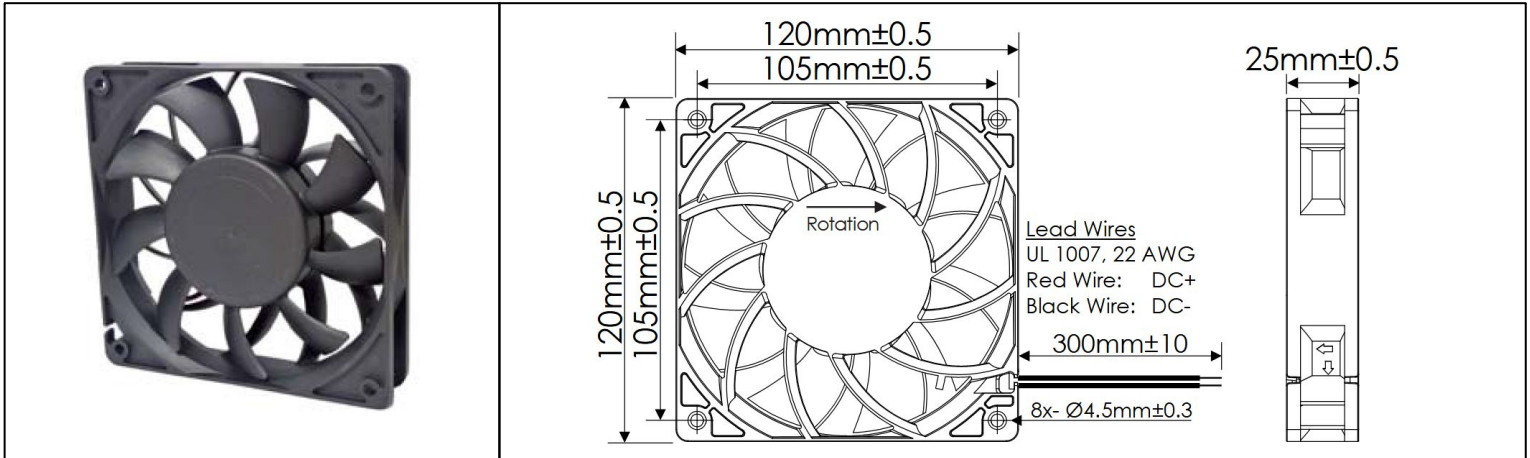


OD1225 VXE Series



DC Fans - 12, 24, 48V
120mm x 25mm (4.7" x 1.0")



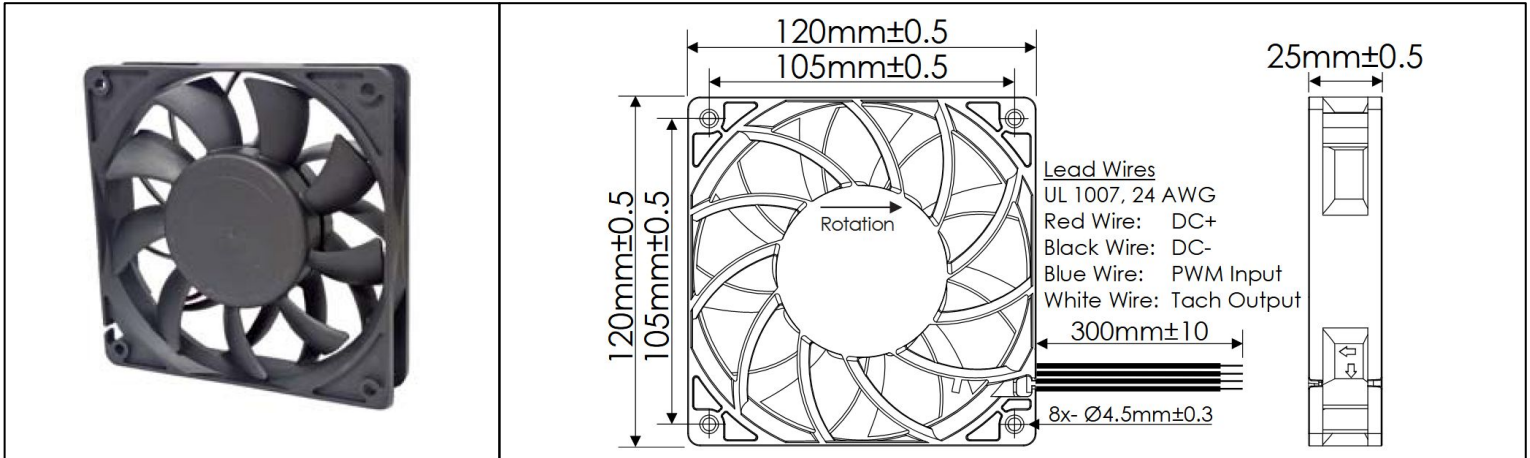
Frame	PBT, UL94 V-0 Plastic	<p><u>Operating Temperature</u> -20°C ~ +65°C</p> <p><u>Storage Temperature</u> -25°C ~ +75°C</p> <p><u>Life Expectancy</u> 70,000 Hours (L10 at 40°C)</p> <p><u>Available Options</u> PWM Speed Control Input Thermal Speed Control 0-10V Speed Control Tachometer Output Alarm Output IP Ratings</p> <p>Weight: 0.45 lbs</p>	
Impeller	PBT, UL94 V-0 Plastic		
Connection	2x Lead Wires, 22 AWG		
Motor	Brushless DC, Auto Cutoff, Auto Restart, Polarity Protected, Electronically Protected		
Bearing System	Ball Bearings		
Dielectric Strength	500VDC/min, <1mA		
Insulation Resistance	≥10MΩ @ 500 VDC		

Part Number	Rated Voltage (Volts DC)	Voltage Range (Volts DC)	Input Power (Watts Max)	Rated Current (Amps Max)	Rated Speed (RPM)	Max Airflow (CFM)	Noise Level (dBA)	Max Static Pressure (\"H ₂ O)
OD1225-12HBVXE	12	10 ~ 13.8	16.8	1.40	4000	158.7	57.3	0.49
OD1225-24HBVXE	24	15 ~ 26	20.4	0.85	4000	158.7	57.3	0.49
OD1225-48HBVXE	48	28 ~ 52	14.4	0.30	4000	158.7	57.3	0.49

OD1225 VXE Series with PWM and Tach

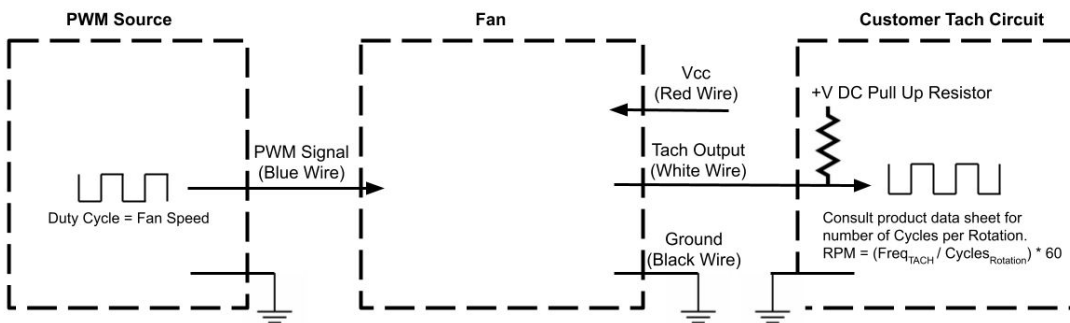


DC Fans - 12, 24, 48V
120mm x 25mm (4.7" x 1.0")



Frame	PBT, UL94 V-0 Plastic	Operating Temperature -20°C ~ +65°C Storage Temperature -25°C ~ +75°C Life Expectancy 70,000 Hours (L10 at 40°C) Installed Options PWM Speed Control Input Open Collector Tach Output Weight: 0.45 lbs
Impeller	PBT, UL94 V-0 Plastic	
Connection	4x Lead Wires, 24 AWG	
Motor	Brushless DC, Auto Cutoff, Auto Restart, Polarity Protected, Electronically Protected	
Bearing System	Ball Bearings	
Dielectric Strength	500VDC/min, <1mA	
Insulation Resistance	≥10MΩ @ 500 VDC	

Part Number	Rated Voltage (Volts DC)	Voltage Range (Volts DC)	Input Power (Watts Max)	Rated Current (Amps Max)	Rated Speed (RPM)	Max Airflow (CFM)	Noise Level (dBA)	Max Static Pressure (\"H ₂ O)
OD1225-12HBVXE10A	12	10 ~ 13.8	16.8	1.40	4000	158.7	57.3	0.49
OD1225-24HBVXE10A	24	15 ~ 26	20.4	0.85	4000	158.7	57.3	0.49
OD1225-48HBVXE10A	48	28 ~ 52	14.4	0.30	4000	158.7	57.3	0.49



Tach Max Pullup Voltage: Fan Vcc
 Tach Max Sink Current: 5mA
 Tach Cycles per Rotation: 2
 PWM Max High Voltage: 5V
 PWM Max Sink Current: 5mA
 PWM Frequency Range: 1KHz-100KHz
 PWM Typical Frequency: 25KHz
 RPM at 0% Duty Cycle: 0 RPM
 RPM will be full speed if PWM input is disconnected.

