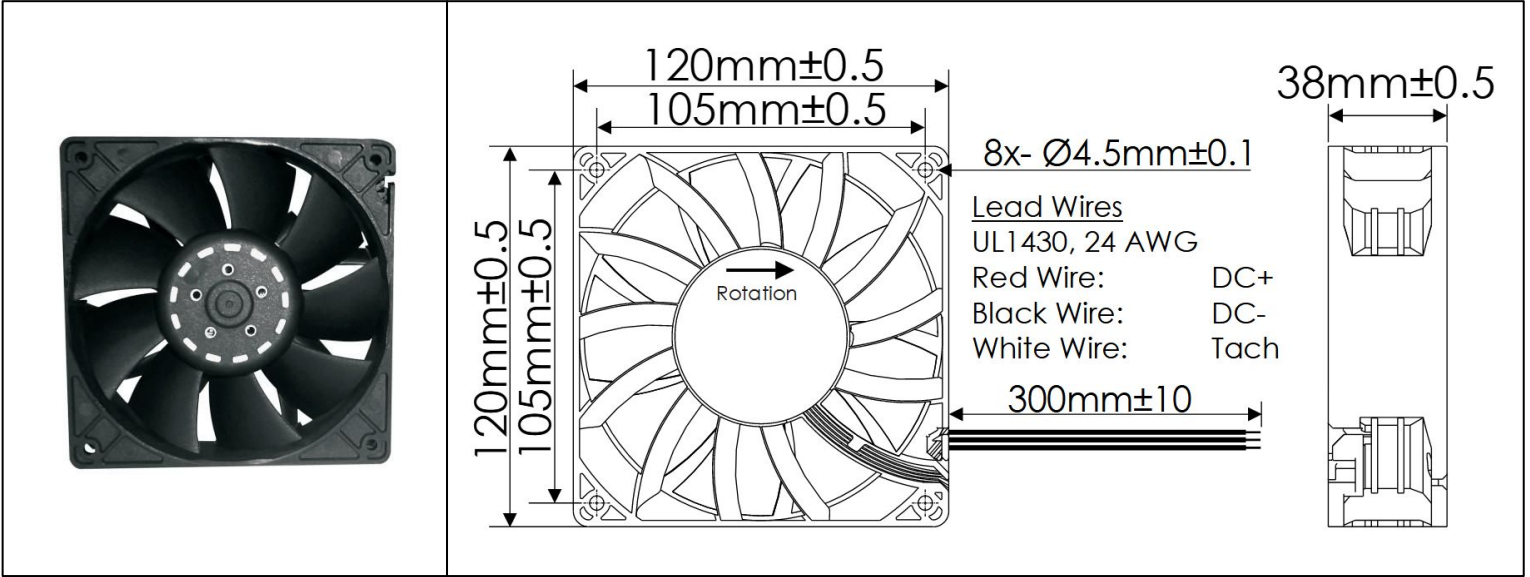


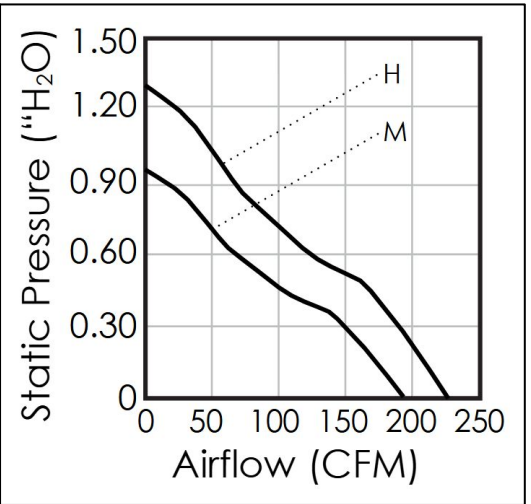
OD1238 XJ Series with Tach



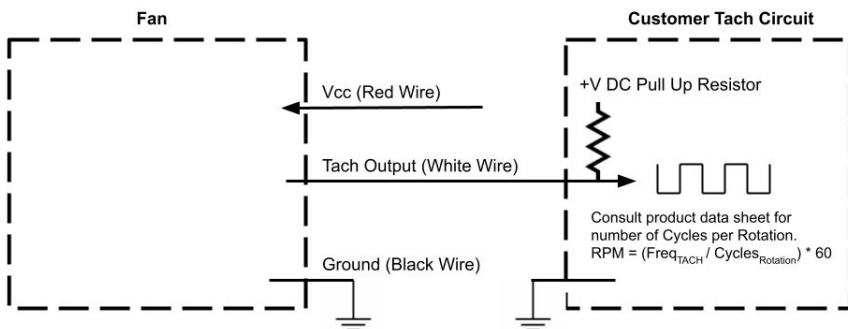
DC Fans - 12, 24V
120mm x 120mm x 38mm (4.7" x 1.5")



Frame	PBT, UL94 V-0 Plastic	<u>Operating Temperature</u> -10°C ~ +70°C
Impeller	PBT, UL94 V-0 Plastic	<u>Storage Temperature</u> -40°C ~ +70°C
Connection	3x Leads Wires, 24 AWG	<u>Life Expectancy</u> 70,000 Hours (L10 at 40°C)
Motor	Brushless DC, Auto Cutoff, Auto Restart, Electronically Protected, Polarity Protected	<u>Installed Options</u> Open Collector Tach Output
Bearing System	Ball Bearings	<u>Available Options</u> 5V TTL Tach Output IP Ratings
Dielectric Strength	500VDC/min, <1mA	Weight: 0.83 lbs
Insulation Resistance	≥10M Ohm @ 500 VDC	



Part Number	Rated Voltage (Volts DC)	Voltage Range (Volts DC)	Input Power (Watts)	Rated Current (Amps)	Rated Speed (RPM)	Max Airflow (CFM)	Noise Level (dBA)	Max Static Pressure (\"H ₂ O)
OD1238-12HBXJ01A	12	10 ~ 13.8	52.8	4.40	6000	227	69.1	1.3
OD1238-12MBXJ01A	12	10 ~ 13.8	34.8	2.90	5000	190	63.3	0.95
OD1238-24HBXJ01A	24	16 ~ 25.1	50.4	2.10	6000	227	69.1	1.3
OD1238-24MBXJ01A	24	16 ~ 25.1	33.6	1.40	5000	190	63.3	0.95

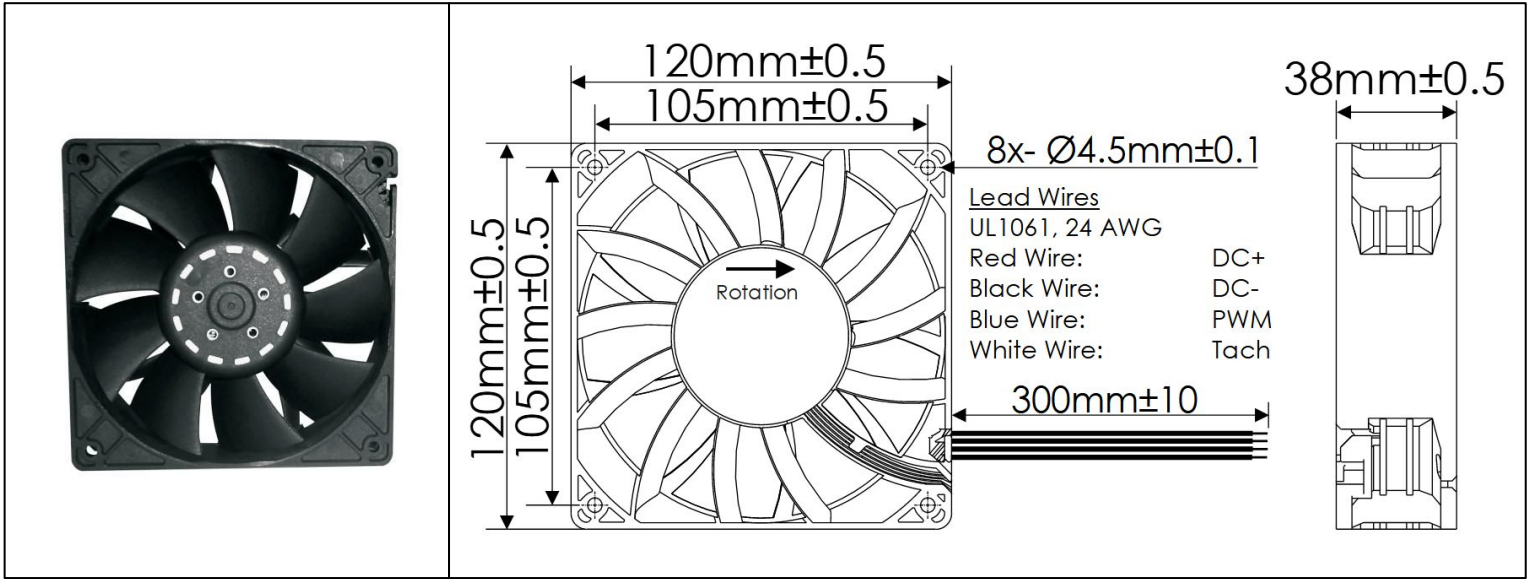


Tach Max Pullup Voltage: Fan Vcc
Tach Max Sink Current: 5mA
Tach Cycles per Rotation: 2

OD1238 XJ Series with PWM and Tach

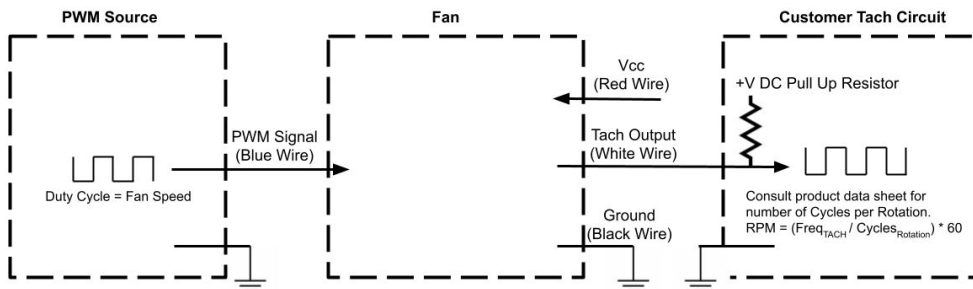


DC Fans - 12, 24V
120mm x 120mm x 38mm (4.7" x 1.5")



Frame	PBT, UL94 V-0 Plastic	Operating Temperature -10°C ~ +70°C Storage Temperature -40°C ~ +70°C
Impeller	PBT, UL94 V-0 Plastic	
Connection	4x Leads Wires, 24 AWG	Life Expectancy 70,000 Hours (L10 at 40°C)
Motor	Brushless DC, Auto Cutoff, Auto Restart, Electronically Protected, Polarity Protected	
Bearing System	Ball Bearings	Installed Options PWM Speed Control Input Open Collector Tach Output
Dielectric Strength	500VDC/min, <1mA	
Insulation Resistance	≥10M Ohm @ 500 VDC	Available Options 5V TTL Tach Output IP Ratings
		Weight: 0.83 lbs

Part Number	Rated Voltage (Volts DC)	Voltage Range (Volts DC)	Input Power (Watts)	Rated Current (Amps)	Rated Speed (RPM)	Max Airflow (CFM)	Noise Level (dBA)	Max Static Pressure (\"H ₂ O)
OD1238-12HBXJ10A	12	10 ~ 13.8	52.8	4.40	6000	227	69.1	1.3
OD1238-12MBXJ10A	12	10 ~ 13.8	34.8	2.90	5000	190	63.3	0.95
OD1238-24HBXJ10A	24	16 ~ 25.1	50.4	2.10	6000	227	69.1	1.3
OD1238-24MBXJ10A	24	16 ~ 25.1	33.6	1.40	5000	190	63.3	0.95



PWM Max High Voltage: 5V
 PWM Max Sink Current: 5mA
 PWM Frequency Range: 18KHz-30KHz
 PWM Typical Frequency: 25KHz
 RPM at 0% Duty Cycle: 0 RPM
 RPM will be full speed if PWM input is disconnected.
 Tach Max Pullup Voltage: Fan Vcc
 Tach Max Sink Current: 5mA
 Tach Cycles per Rotation: 2