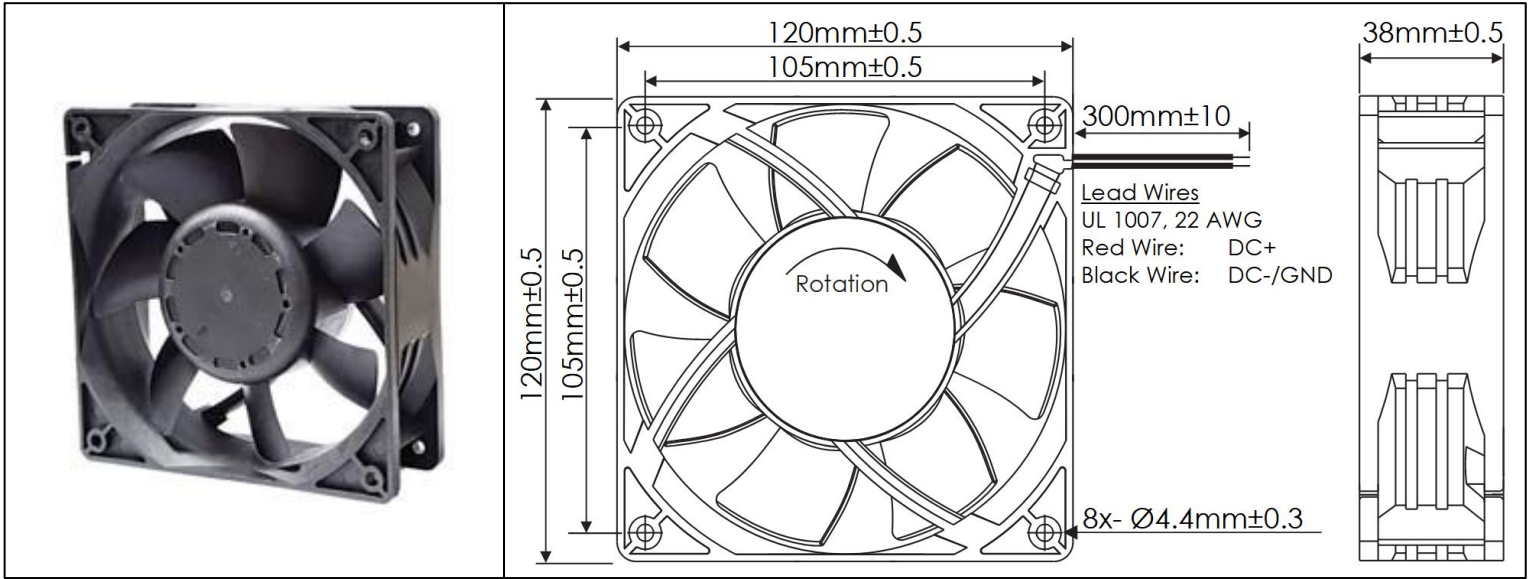


# OD1238 XE Series



DC Fans - 12, 24, 48V  
120mm x 38mm (4.7" x 1.5")



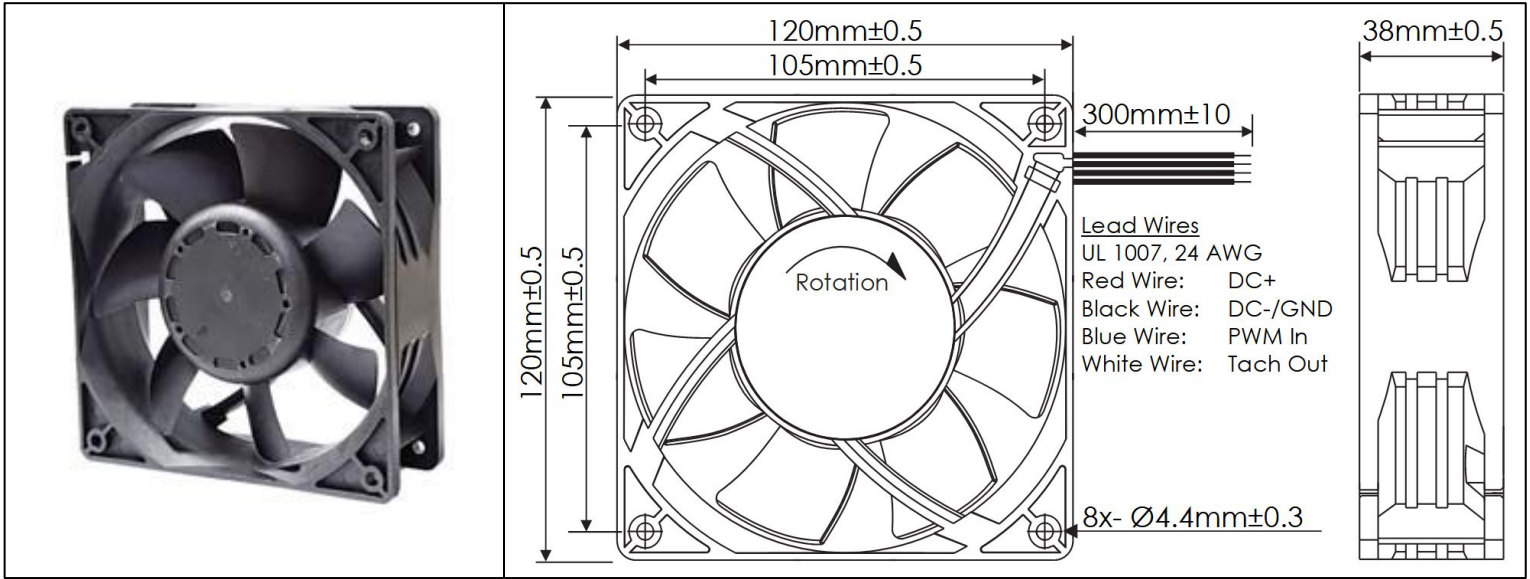
<b>Frame</b>	PBT, UL94 V-0 Plastic	<b>Operating Temperature</b> -20°C ~ +65°C  <b>Storage Temperature</b> -20°C ~ +75°C  <b>Life Expectancy</b> 70,000 Hours (L10 at 40°C)  <b>Available Options</b> PWM & Temp Speed Control Tachometer Output Alarm Output IP55, IP68, IP69K GR-487 Salt Fog Rated  Weight: 0.62 lbs	<p>Static Pressure ("H<sub>2</sub>O") vs Airflow (CFM) graph. The y-axis ranges from 0 to 1.25 "H<sub>2</sub>O" and the x-axis ranges from 0 to 250 CFM. Two curves are shown: 'H' (High speed) and 'M' (Medium speed). Both curves show a decrease in static pressure as airflow increases.</p>
<b>Impeller</b>	PBT, UL94 V-0 Plastic		
<b>Connection</b>	2x Leads Wires, 22 AWG		
<b>Motor</b>	Brushless DC, Auto Cutoff, Auto Restart, Electronically Protected, Polarity Protected		
<b>Bearing System</b>	Ball Bearings		
<b>Dielectric Strength</b>	500VDC/min, <1mA		
<b>Insulation Resistance</b>	≥10M Ohm @ 500 VDC		

Part Number	Rated Voltage (Volts DC)	Voltage Range (Volts DC)	Input Power (Watts)	Rated Current (Amps)	Rated Speed (RPM)	Max Airflow (CFM)	Noise Level (dBA)	Max Static Pressure ("H <sub>2</sub> O")
OD1238-12HBXE	12	9 ~ 13.8	46.0	3.8	5175	238.8	62.1	1.10
OD1238-12MBXE	12	9 ~ 13.8	34.0	2.8	4650	209.7	59.3	0.85
OD1238-24HBXE	24	16 ~ 26.0	46.0	1.9	5175	238.8	62.1	1.10
OD1238-24MBXE	24	16 ~ 26.0	34.0	1.4	4650	209.7	59.3	0.85
OD1238-48HBXE	48	30 ~ 52.8	44.6	0.9	5175	238.8	62.1	1.10
OD1238-48MBXE	48	30 ~ 52.8	34.0	0.7	4650	209.7	59.3	0.85

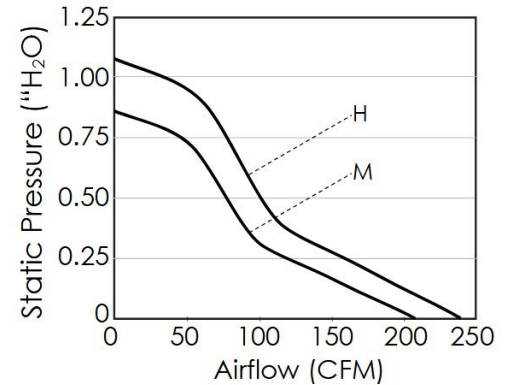
# OD1238 XE Series with PWM and Tach



DC Fans - 12, 24, 48V  
120mm x 38mm (4.7" x 1.5")



<b>Frame</b>	PBT, UL94 V-0 Plastic	<b>Operating Temperature</b>	-20°C ~ +65°C
<b>Impeller</b>	PBT, UL94 V-0 Plastic	<b>Storage Temperature</b>	-20°C ~ +75°C
<b>Connection</b>	4x Leads Wires, 24 AWG	<b>Life Expectancy</b>	70,000 Hours (L10 at 40°C)
<b>Motor</b>	Brushless DC, Auto Cutoff, Auto Restart, Electronically Protected, Polarity Protected	<b>Installed Options</b>	PWM Speed Control Open Collector Tach Output
<b>Bearing System</b>	Ball Bearings	<b>Weight:</b>	0.62 lbs
<b>Dielectric Strength</b>	500VDC/min, <1mA		
<b>Insulation Resistance</b>	≥10M Ohm @ 500 VDC		



Part Number	Rated Voltage (Volts DC)	Voltage Range (Volts DC)	Input Power (Watts)	Rated Current (Amps)	Rated Speed (RPM)	Max Airflow (CFM)	Noise Level (dBA)	Max Static Pressure ("H <sub>2</sub> O)
OD1238-12HBXE10A	12	9 ~ 13.8	46.0	3.8	5175	238.8	62.1	1.10
OD1238-12MBXE10A	12	9 ~ 13.8	34.0	2.8	4650	209.7	59.3	0.85
OD1238-24HBXE10A	24	16 ~ 26.0	46.0	1.9	5175	238.8	62.1	1.10
OD1238-24MBXE10A	24	16 ~ 26.0	34.0	1.4	4650	209.7	59.3	0.85
OD1238-48HBXE10A	48	30 ~ 52.8	44.6	0.9	5175	238.8	62.1	1.10
OD1238-48MBXE10A	48	30 ~ 52.8	34.0	0.7	4650	209.7	59.3	0.85

