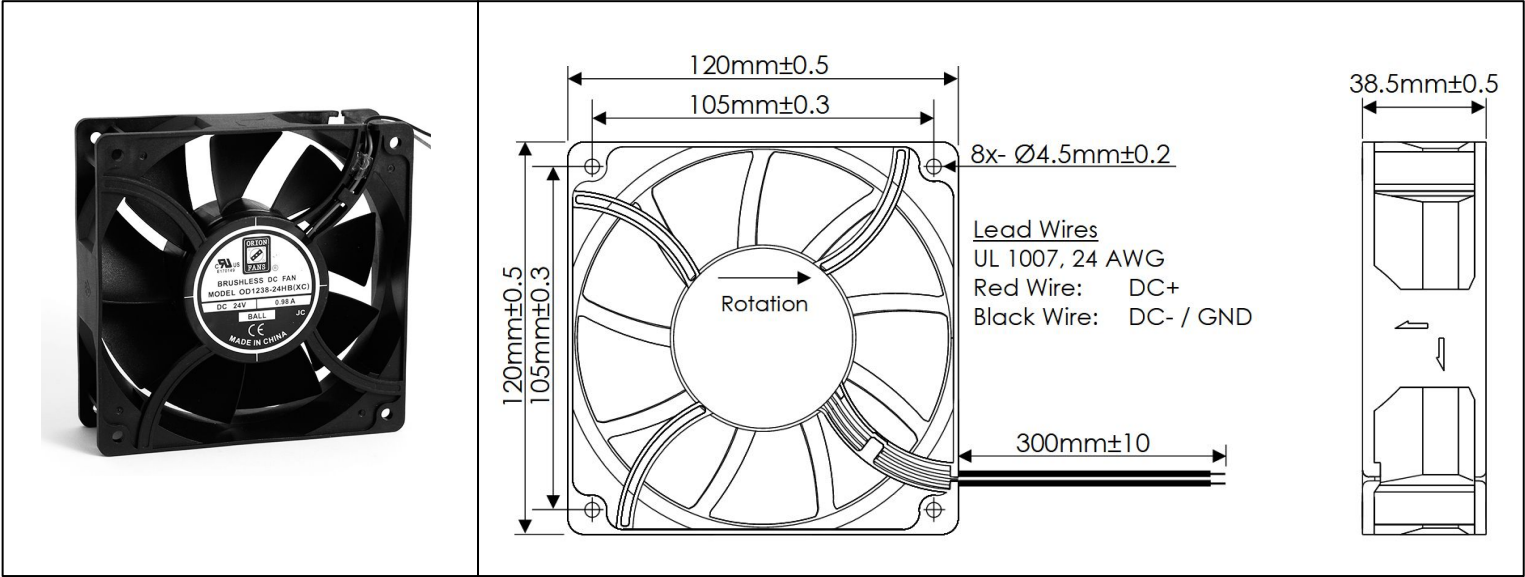


# OD1238 XC Series



DC Fans - 12, 24, 48V  
120mm x 120mm x 38.5mm (4.7" x 1.5")



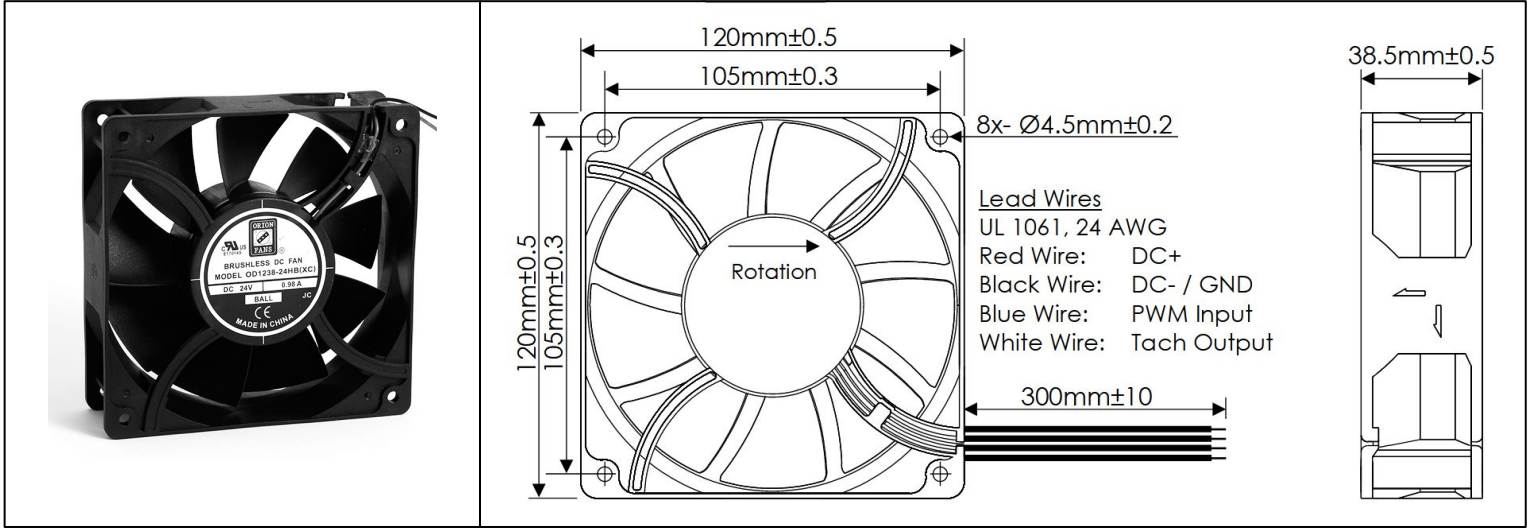
<b>Frame</b>	PBT, UL94 V-0 Plastic	<b>Operating Temperature</b> -10°C ~ +70°C  <b>Storage Temperature</b> -40°C ~ +70°C  <b>Life Expectancy</b> 70,000 Hours (L10 at 40°C)  <b>Available Options</b> PWM & Temp Speed Control Tachometer Output Thermal Speed Control Alarm Output IP Ratings  Weight: 0.74 lbs	
<b>Impeller</b>	PBT, UL94 V-0 Plastic		
<b>Connection</b>	2x Leads Wires, 24 AWG		
<b>Motor</b>	Brushless DC, Auto Cutoff, Auto Restart, Electronically Protected, Polarity Protected		
<b>Bearing System</b>	Ball Bearings		
<b>Dielectric Strength</b>	500VDC/min, <1mA		
<b>Insulation Resistance</b>	≥10M Ohm @ 500 VDC		

Part Number	Rated Voltage (Volts DC)	Voltage Range (Volts DC)	Input Power (Watts)	Rated Current (Amps)	Rated Speed (RPM)	Max Airflow (CFM)	Noise Level (dBA)	Max Static Pressure ("H <sub>2</sub> O)
OD1238-12HBXC	12	10 ~ 13.8	23.40	1.95	4275	185	65.3	0.70
OD1238-12MBXC	12	10 ~ 13.8	18.10	1.50	3750	160	58.0	0.52
OD1238-12LBXC	12	10 ~ 13.8	10.50	0.87	3200	130	54.6	0.40
OD1238-24HBXC	24	16 ~ 26.4	19.30	0.98	4275	185	65.3	0.70
OD1238-24MBXC	24	16 ~ 26.4	16.40	0.68	3750	160	58.0	0.52
OD1238-24LBXC	24	16 ~ 26.4	10.10	0.42	3200	130	54.6	0.40
OD1238-48HBXC	48	30 ~ 52.0	25.00	0.52	4275	185	65.3	0.70
OD1238-48MBXC	48	30 ~ 52.0	17.30	0.36	3750	160	58.0	0.52
OD1238-48LBXC	48	30 ~ 52.0	10.60	0.22	3200	130	54.6	0.40

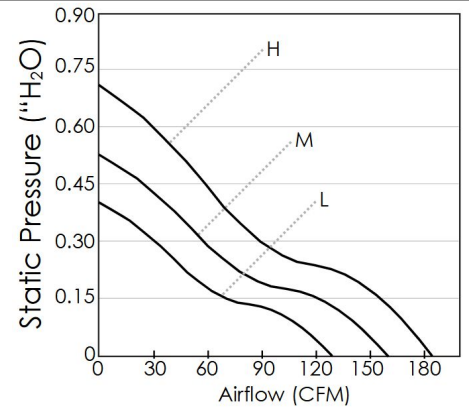
# OD1238 XC Series with PWM and Tach



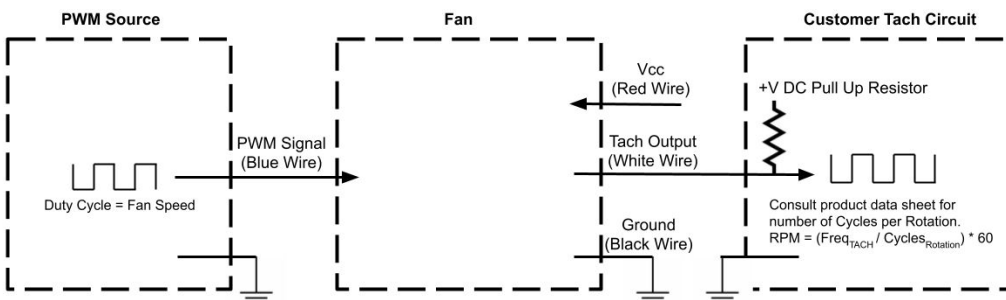
DC Fans - 12, 24, 48V  
120mm x 120mm x 38.5mm (4.7" x 1.5")



<b>Frame</b>	PBT, UL94 V-0 Plastic	<b>Operating Temperature</b> -10°C ~ +70°C
<b>Impeller</b>	PBT, UL94 V-0 Plastic	
<b>Connection</b>	4x Leads Wires, 24 AWG	<b>Storage Temperature</b> -40°C ~ +70°C
<b>Motor</b>	Brushless DC, Auto Cutoff, Auto Restart, Electronically Protected, Polarity Protected	
<b>Bearing System</b>	Ball Bearings	<b>Life Expectancy</b> 70,000 Hours (L10 at 40°C)
<b>Dielectric Strength</b>	500VDC/min, <1mA	
<b>Insulation Resistance</b>	≥10M Ohm @ 500 VDC	<b>Installed Options</b> PWM Speed Control Input Open Collector Tach Output
		<b>Weight:</b> 0.74 lbs



Part Number	Rated Voltage (Volts DC)	Voltage Range (Volts DC)	Input Power (Watts)	Rated Current (Amps)	Rated Speed (RPM)	Max Airflow (CFM)	Noise Level (dBA)	Max Static Pressure ("H <sub>2</sub> O)
OD1238-12HBXC10A	12	10 ~ 13.8	23.40	1.95	4275	185	65.3	0.70
OD1238-12MBXC10A	12	10 ~ 13.8	18.10	1.50	3750	160	58.0	0.52
OD1238-12LBXC10A	12	10 ~ 13.8	10.50	0.87	3200	130	54.6	0.40
OD1238-24HBXC10A	24	16 ~ 26.4	19.30	0.98	4275	185	65.3	0.70
OD1238-24MBXC10A	24	16 ~ 26.4	16.40	0.68	3750	160	58.0	0.52
OD1238-24LBXC10A	24	16 ~ 26.4	10.10	0.42	3200	130	54.6	0.40
OD1238-48HBXC10A	48	30 ~ 52.0	25.00	0.52	4275	185	65.3	0.70
OD1238-48MBXC10A	48	30 ~ 52.0	17.30	0.36	3750	160	58.0	0.52
OD1238-48LBXC10A	48	30 ~ 52.0	10.60	0.22	3200	130	54.6	0.40



Tach Max Pullup Voltage: Fan Vcc  
 Tach Max Sink Current: 5mA  
 Tach Cycles per Rotation: 2  
 PWM Maximum High Voltage: 5.5V  
 PWM Max Sink Current: 5mA  
 PWM Frequency Range: 18KHz-30KHz  
 PWM Typical Frequency: 25KHz  
 RPM at 0% Duty Cycle: 0 RPM  
 RPM will be full speed if PWM input is disconnected.  
 RPM will be 0 RPM if PWM input is grounded.