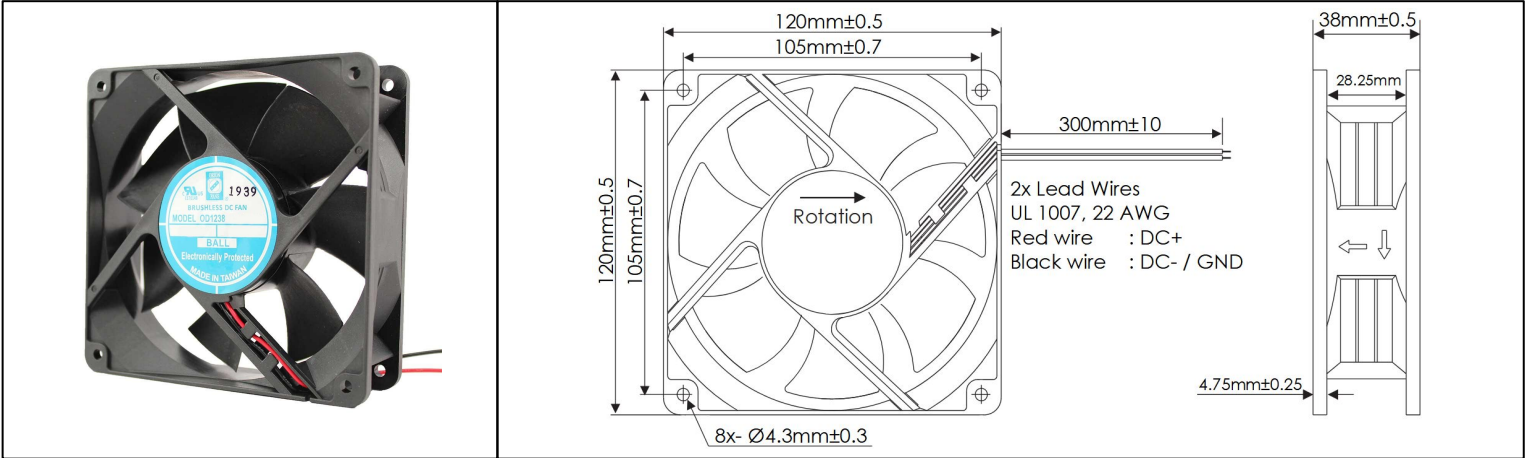


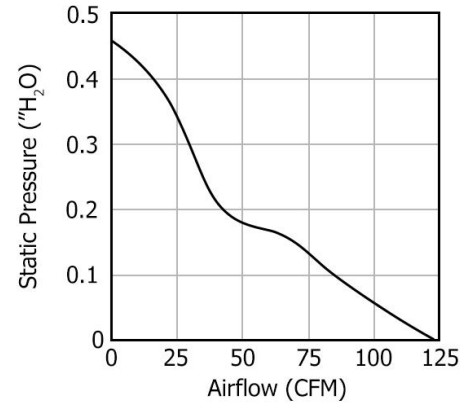
# OD1238 IP69K Series



DC Fans - 12, 24, 48V  
120mm x 38mm (4.7" x 1.5")



<b>Frame</b>	PBT, UL94 V-0 Plastic	<b>Operating Temperature</b> -20°C ~ +65°C  <b>Storage Temperature</b> -25°C ~ +75°C  <b>Life Expectancy</b> 65,000 Hours (L10 at 45°C)  <b>Available Options</b> Tachometer Output Alarm Output PWM Speed Control Input Temperature Speed Control Other Voltages and Speeds  Weight: 0.57 lbs
<b>Impeller</b>	PBT, UL94 V-0 Plastic	
<b>Connection</b>	2x Lead Wires, 22 AWG	
<b>Motor</b>	Brushless DC, Auto Cutoff, Auto Restart, Polarity Protected, Electronically Protected, IP69K	
<b>Bearing System</b>	Ball Bearings	
<b>Dielectric Strength</b>	500VDC/min, <1mA	
<b>Insulation Resistance</b>	≥10MΩ @ 500 VDC	



Part Number	Rated Voltage (Volts DC)	Voltage Range (Volts DC)	Input Power (Watts)	Rated Current (Amps)(Max)	Rated Speed (RPM)	Max Airflow (CFM)	Noise Level (dBA)	Max Static Pressure (H <sub>2</sub> O)
OD1238-12HBIP69K	12	9 ~ 13.8	6.0	0.38 (0.50)	2895	124.1	44.1	0.469
OD1238-24HBIP69K	24	16 ~ 26	12	0.23 (0.50)	2895	124.1	44.1	0.469
OD1238-48HBIP69K	48	30 ~ 52	14	0.10 (0.29)	2895	124.1	44.1	0.469