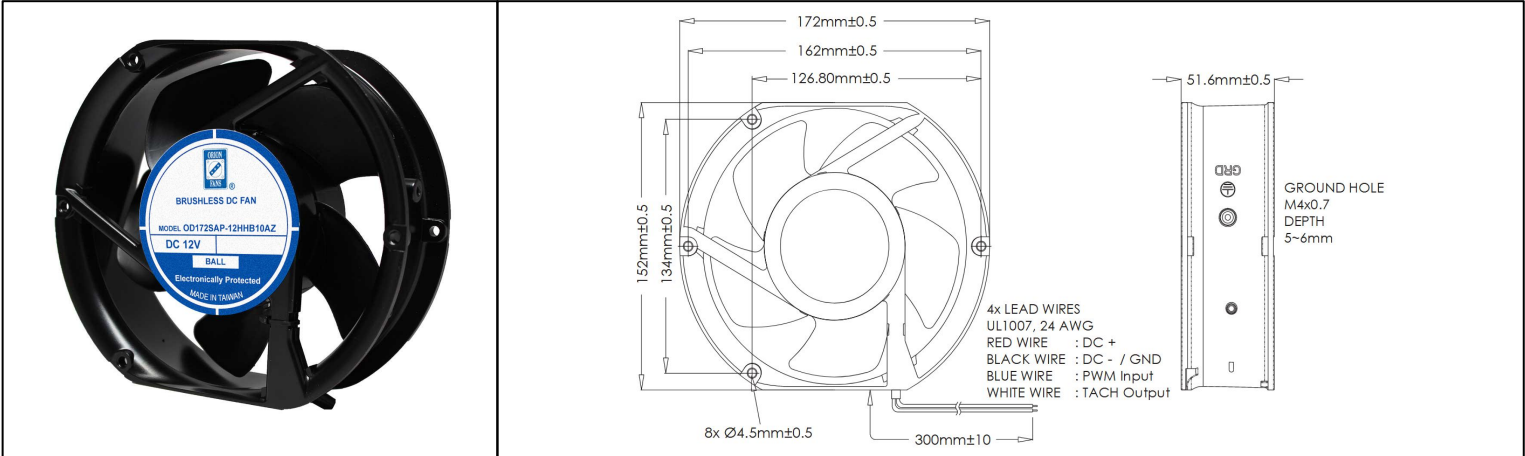


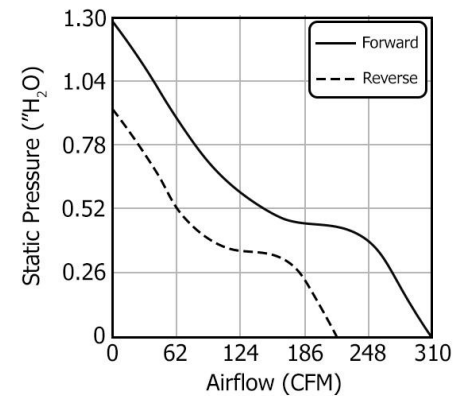
OD172SAP - Reversible Flow



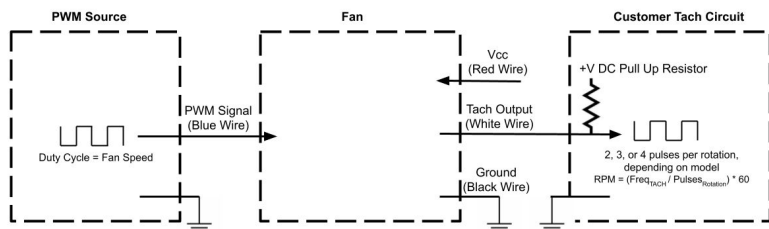
DC Fan, 12, 24, 48V
172x152x51mm (6.7"x5.9"x2.0")



Frame	Die Cast Aluminum, Black finish	Operating Temperature -15°C ~ +65°C Storage Temperature -25°C ~ +80°C Life Expectancy 70,000 hours (L10 at 40°C) Installed Options PWM Speed Control Tachometer Output Weight: 1.54 lbs
Impeller	PBT, UL94 V-0 plastic	
Connection	4x Lead wires, 24 AWG	
Motor	Brushless DC, Auto Restart, Polarity Protected, Electronically Protected	
Bearing System	Dual Ball Bearings	
Dielectric Strength	500 VAC/min, <1mA	
Insulation Resistance	10M ohm between leadwires and frame (500 VDC)	



Part Number	Rated Voltage	Input Power	Rated Current Forward/Reverse	Rated Speed (RPM)	Airflow (CFM) Forward/Reverse	Noise Level (dB)	Max. Static Pressure ("H ₂ O) Forward / Reverse
OD172SAP-12HHB10AZ	12 VDC	24 W	1.94 A	3950	310 / 218	60	1.28 / 0.9
OD172SAP-24HHB10AZ	24 VDC	24 W	0.97 A	3950	310 / 218	60	1.28 / 0.9
OD172SAP-48HHB10AZ	48 VDC	24 W	0.49 A	3950	310 / 218	60	1.28 / 0.9



Tach Max Pullup Voltage:
Tach Max Current:
Tach Low Voltage:
Tach Pulses per rotation:
PWM Input Voltage Max:
PWM Input Max Sink Current:
PWM Frequency Range:
PWM Typical Frequency:
RPM will be full speed if PWM input is disconnected.

Fan Model +Vcc
5mA
≤0.5 V
2
≤5V
5mA
18KHz-30KHz
25KHz

Air flow Direction	Toward Label (FWD)	Toward Label (FWD)	Toward Label (FWD)	Toward Label (FWD)	Toward Label (FWD)	Stopped	Reverse	Reverse	Reverse	Reverse	Reverse
PWM Duty Cycle	0%	10%	20%	30%	40%	46~55%	60%	70%	80%	90%	100%
Speed (RPM) ±10%	3900	3900	2860	1740	630	0	500	1750	2800	3925	4000