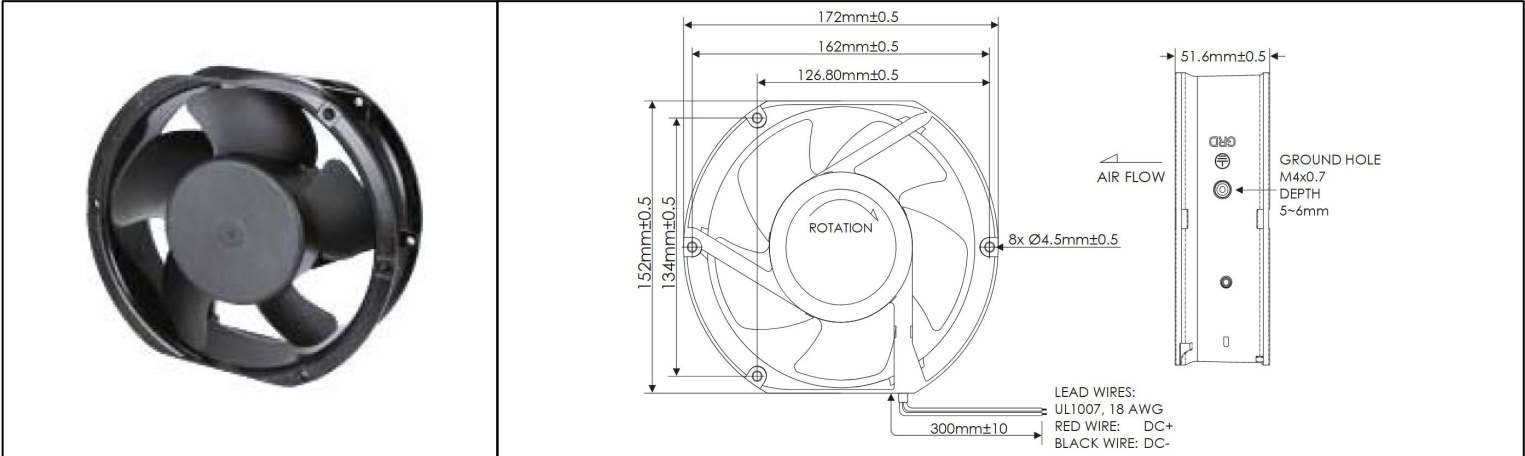


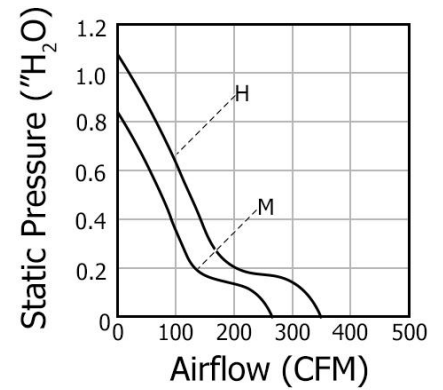
OD172SAP XC IP Series



DC Fans - 12, 24, 48V
172mm x 151mm x 51mm (6.8"x5.9"x2.0")



Frame	Die Cast Aluminum, Black Finish	Operating Temperature -20°C ~ +65°C Storage Temperature -20°C ~ +75°C Life Expectancy 90,000 Hours (L10 at 35°C) Available Options PWM Speed Control Input Tachometer Output Alarm Output Other Speeds Weight: 1.3 lbs
Impeller	PBT, UL94 V-0 Plastic	
Connection	2x Lead Wires, 18 AWG	
Motor	Brushless DC, Auto Cutoff, Auto Restart, Polarity Protected, Electronically Protected, IP68 or IP69K	
Bearing System	Ball Bearings	
Dielectric Strength	500VDC/min, <1mA	
Insulation Resistance	≥10MΩ @ 500V DC	



Part Number	Rated Voltage (Volts DC)	Voltage Range (Volts DC)	Rated Power (Watts)(Max)	Rated Current (Amps)(Max)	Rated Speed (RPM)	Max Airflow (CFM)	Noise Level (dBA)	Max Static Pressure ("H ₂ O)
OD172SAP-12MBXCIP***	12	11 ~ 13.8	13.2 (19.2)	1.1 (1.6)	3500	263	57.3	0.82
OD172SAP-24HBXCIP***	24	22 ~ 26.0	33.6 (50.4)	1.4 (2.1)	4400	323	63.5	1.06
OD172SAP-48HBXCIP***	48	40 ~ 52.0	35.0 (49.4)	0.73 (1.03)	4400	323	63.5	1.06

*** Insert "68" for IP68 rating, or "69K" for IP69K rating.