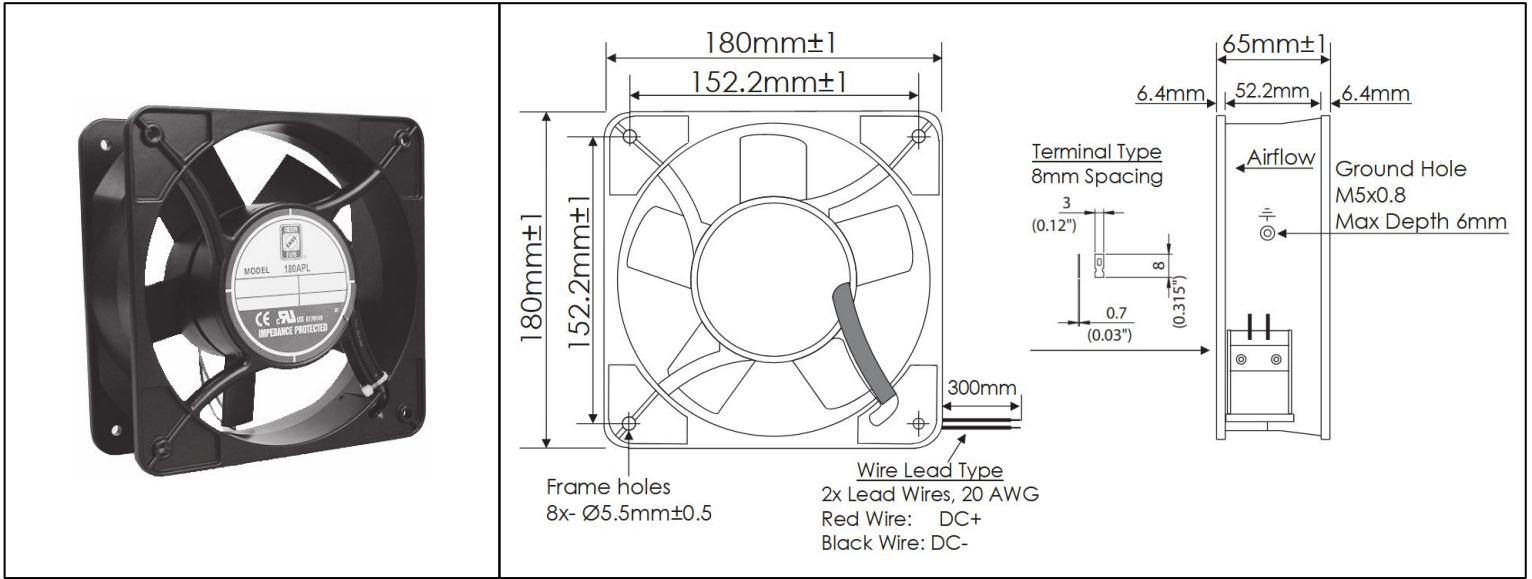


# OD180APL IP68 Series



DC Fans - 12, 24, 48V  
180mm x 180mm x 65mm (7" x 2.5")



<b>Frame</b>	Die Cast Aluminum, Black Finish	<b>Operating Temperature</b> -20°C ~ +65°C	
<b>Impeller</b>	PBT UL94 V-0 Plastic		
<b>Connection</b>	2x Wire Leads 20 AWG, or Terminals	<b>Life Expectancy</b> 60,000 Hours (L10 at 40°C)	
<b>Motor</b>	Brushless DC, Auto Cutoff, Auto Restart, Electronically Protected, Polarity Protected, IP68	<b>Available Options</b> Tachometer Output PWM Speed Control Thermal Speed Control Alarm Output IP69K Rating	
<b>Bearing System</b>	Dual Ball Bearings	Weight: 3.2 lbs	
<b>Dielectric Strength</b>	500VAC/min < 5mA		
<b>Insulation Resistance</b>	≥10M Ohm @ 500 VDC		

Part Number	Rated Voltage (Volts DC)	Voltage Range (Volts DC)	Rated Current (Amps)	Rated Power (Watts)	Rated Speed (RPM)	Airflow (CFM)	Noise Level (dBA)	Max. Static Pressure (\"H <sub>2</sub> O)
OD180APL-12H*BIP68	12	9 ~ 13.8	4.20	50.4	3375	460	63.2	1.10
OD180APL-12M*BIP68	12	9 ~ 13.8	1.90	23.5	2800	375	53.4	0.70
OD180APL-12L*BIP68	12	9 ~ 13.8	1.50	19.0	2150	300	46.1	0.58
OD180APL-24H*BIP68	24	20 ~ 26.4	2.50	60.2	3375	460	63.2	1.10
OD180APL-24M*BIP68	24	20 ~ 26.4	1.15	28.3	2800	375	53.4	0.70
OD180APL-24L*BIP68	24	20 ~ 26.4	0.62	15.6	2150	300	46.1	0.58
OD180APL-48H*BIP68	48	28 ~ 52.0	1.03	50.2	3375	460	63.2	1.10
OD180APL-48M*BIP68	48	28 ~ 52.0	0.48	24.2	2800	375	53.4	0.70
OD180APL-48L*BIP68	48	28 ~ 52.0	0.30	15.4	2150	300	46.1	0.58

\* Insert letter "T" for Terminal connection type. Terminal connection is not IP Rated.