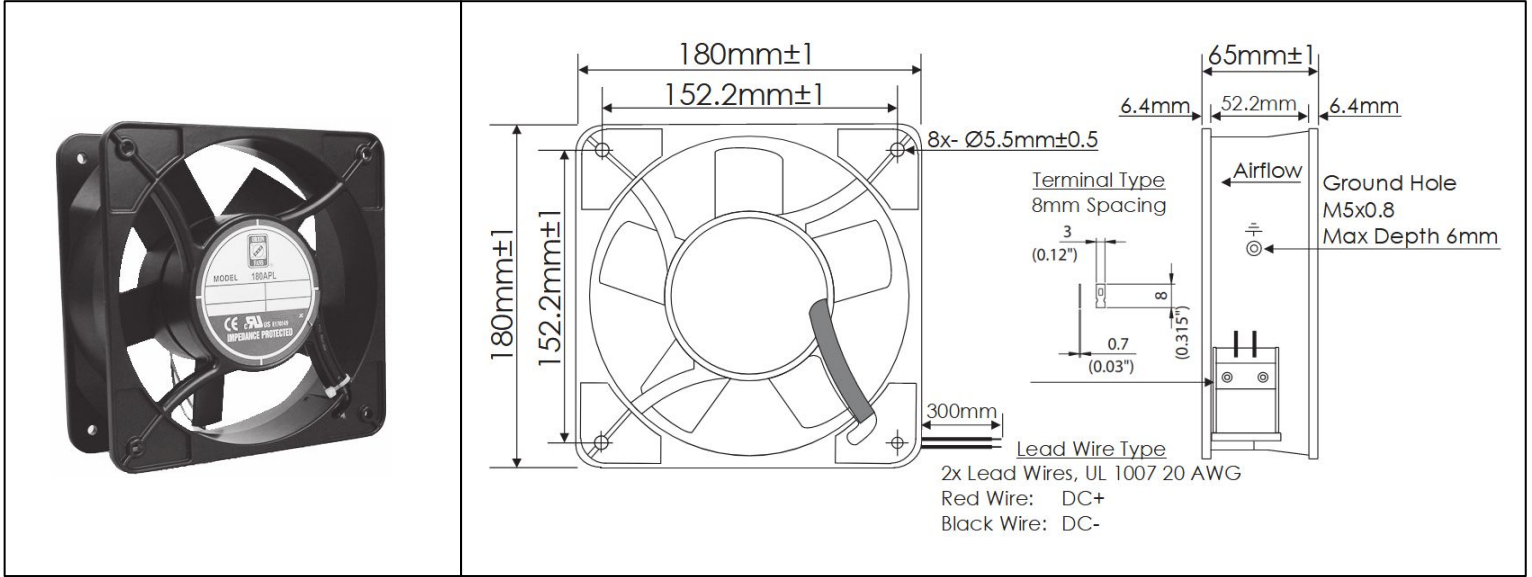


OD180APL Series



DC Fans - 12, 24, 48V
180mm x 180mm x 65mm (7" x 2.5")



Frame	Die Cast Aluminum, Black Finish	Operating Temperature -20°C ~ +65°C	
Impeller	PBT, UL94 V-0 Plastic	Storage Temperature -20°C ~ +75°C	
Connection	2x Wire Leads, 20 AWG, or Terminals	Life Expectancy 60,000 Hours (L10 at 40°C)	
Motor	Brushless DC, Auto Cutoff, Auto Restart, Electronically Protected, Polarity Protected	Available Options PWM Speed Control Input Thermal Speed Control Tachometer Output Alarm Output IP Ratings	
Bearing System	Ball Bearings	Weight: 3.2 lbs	
Dielectric Strength	500VDC/min, <5mA		
Insulation Resistance	≥10M Ohm @ 500 VDC		

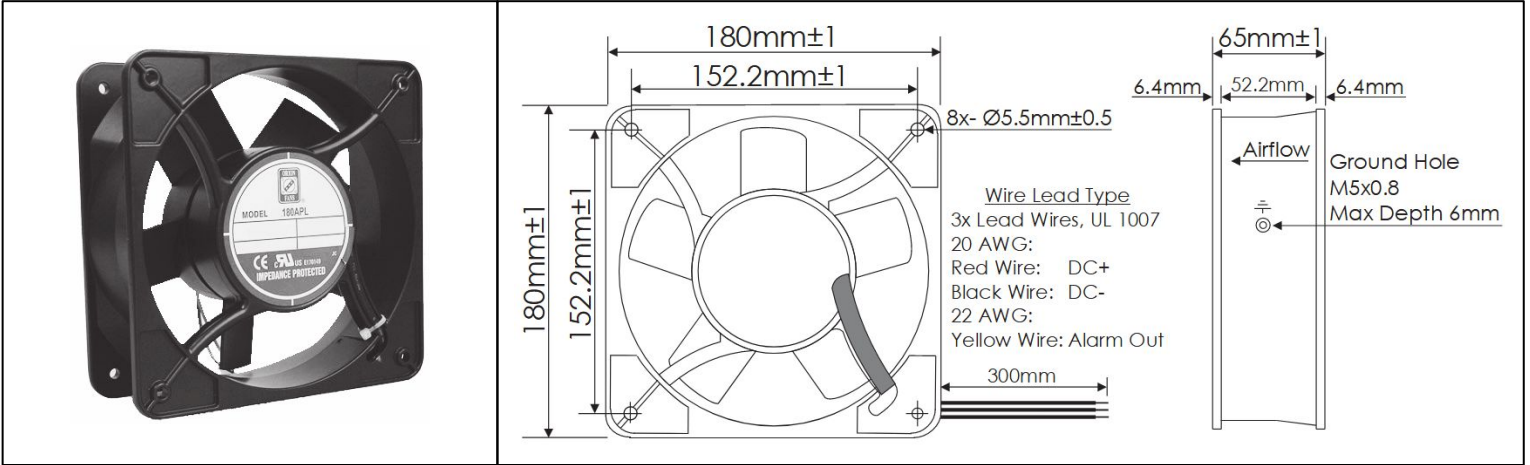
Part Number	Rated Voltage (Volts DC)	Voltage Range (Volts DC)	Rated Current (Amps)	Rated Power (Watts)	Rated Speed (RPM)	Max Airflow (CFM)	Noise Level (dBA)	Max Static Pressure (\"H ₂ O)
OD180APL-12H*B	12	9 ~ 13.8	4.20	50.4	3375	460	63.2	1.10
OD180APL-12M*B	12	9 ~ 13.8	1.90	23.5	2800	375	53.4	0.70
OD180APL-12L*B	12	9 ~ 13.8	1.50	19.0	2150	300	46.1	0.58
OD180APL-24H*B	24	20 ~ 26.4	2.50	60.2	3375	460	63.2	1.10
OD180APL-24M*B	24	20 ~ 26.4	1.15	27.6	2800	375	53.4	0.70
OD180APL-24L*B	24	20 ~ 26.4	0.62	15.6	2150	300	46.1	0.58
OD180APL-48H*B	48	28 ~ 52.0	1.03	50.2	3375	460	63.2	1.10
OD180APL-48M*B	48	28 ~ 52.0	0.48	24.2	2800	375	53.4	0.70
OD180APL-48L*B	48	28 ~ 52.0	0.30	15.4	2150	300	46.1	0.58

* Insert letter "T" for Terminal connection type

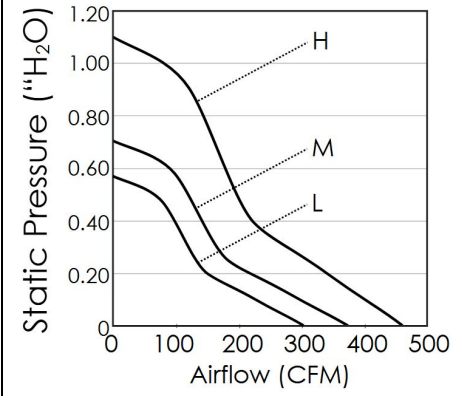
OD180APL Series with Alarm



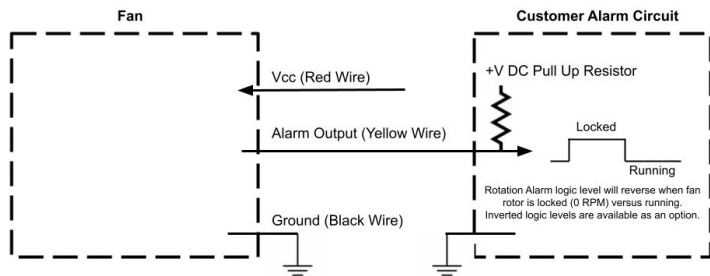
DC Fans - 12, 24, 48V
180mm x 180mm x 65mm (7" x 2.5")



Frame	Die Cast Aluminum, Black Finish	Operating Temperature -20°C ~ +65°C
Impeller	PBT, UL94 V-0 Plastic	
Connection	3x Wire Leads, 20/22 AWG	Storage Temperature -20°C ~ +75°C
Motor	Brushless DC, Auto Cutoff, Auto Restart, Electronically Protected, Polarity Protected	
Bearing System	Ball Bearings	Life Expectancy 60,000 Hours (L10 at 40°C)
Dielectric Strength	500VDC/min, <5mA	
Insulation Resistance	≥10M Ohm @ 500 VDC	Installed Options Open Collector Alarm Output
		Available Options Inverted Alarm Type
		Weight: 3.2 lbs



Part Number	Rated Voltage (Volts DC)	Voltage Range (Volts DC)	Rated Current (Amps)	Rated Power (Watts)	Rated Speed (RPM)	Max Airflow (CFM)	Noise Level (dBA)	Max Static Pressure ("H ₂ O)
OD180APL-12HB02A	12	9 ~ 13.8	4.20	50.4	3375	460	63.2	1.10
OD180APL-12MB02A	12	9 ~ 13.8	1.90	23.5	2800	375	53.4	0.70
OD180APL-12LB02A	12	9 ~ 13.8	1.50	19.0	2150	300	46.1	0.58
OD180APL-24HB02A	24	20 ~ 26.4	2.50	60.2	3375	460	63.2	1.10
OD180APL-24MB02A	24	20 ~ 26.4	1.15	27.6	2800	375	53.4	0.70
OD180APL-24LB02A	24	20 ~ 26.4	0.62	15.6	2150	300	46.1	0.58
OD180APL-48HB02A	48	28 ~ 52.0	1.03	50.2	3375	460	63.2	1.10
OD180APL-48MB02A	48	28 ~ 52.0	0.48	24.2	2800	375	53.4	0.70
OD180APL-48LB02A	48	28 ~ 52.0	0.30	15.4	2150	300	46.1	0.58



Alarm Max Pullup Voltage: Fan Vcc
 Alarm Max Sink Current: 5mA
 Alarm ACTIVE (0 RPM) State: HIGH