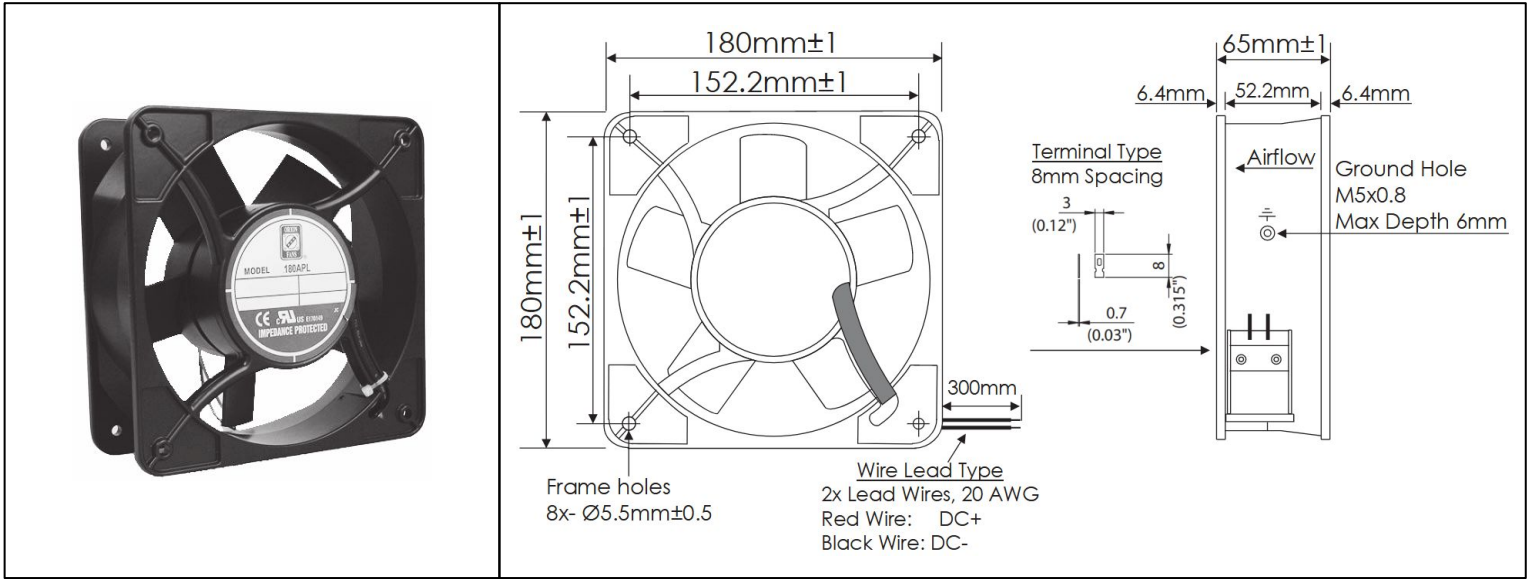


OD180APL IP68 Series



DC Fans - 12, 24, 48V
180mm x 180mm x 65mm (7" x 2.5")



Frame	Die Cast Aluminum, Black Finish	Operating Temperature -20°C ~ +65°C	
Impeller	PBT UL94 V-0 Plastic		
Connection	2x Wire Leads 20 AWG, or Terminals	Life Expectancy 60,000 Hours (L10 at 40°C)	
Motor	Brushless DC, Auto Cutoff, Auto Restart, Electronically Protected, Polarity Protected, IP68	Available Options Tachometer Output PWM Speed Control Thermal Speed Control Alarm Output IP69K Rating	
Bearing System	Dual Ball Bearings	Weight: 3.2 lbs	
Dielectric Strength	500VAC/min < 5mA		
Insulation Resistance	≥10M Ohm @ 500 VDC		

Part Number	Rated Voltage (Volts DC)	Voltage Range (Volts DC)	Rated Current (Amps)	Rated Power (Watts)	Rated Speed (RPM)	Airflow (CFM)	Noise Level (dBA)	Max. Static Pressure ("H ₂ O)
OD180APL-12H*BIP68	12	9 ~ 13.8	4.20	50.4	3375	460	63.2	1.10
OD180APL-12M*BIP68	12	9 ~ 13.8	1.90	23.5	2800	375	53.4	0.70
OD180APL-12L*BIP68	12	9 ~ 13.8	1.50	19.0	2150	300	46.1	0.58
OD180APL-24H*BIP68	24	20 ~ 26.4	2.50	60.2	3375	460	63.2	1.10
OD180APL-24M*BIP68	24	20 ~ 26.4	1.15	28.3	2800	375	53.4	0.70
OD180APL-24L*BIP68	24	20 ~ 26.4	0.62	15.6	2150	300	46.1	0.58
OD180APL-48H*BIP68	48	28 ~ 52.0	1.03	50.2	3375	460	63.2	1.10
OD180APL-48M*BIP68	48	28 ~ 52.0	0.48	24.2	2800	375	53.4	0.70
OD180APL-48L*BIP68	48	28 ~ 52.0	0.30	15.4	2150	300	46.1	0.58

* Insert letter "T" for Terminal connection type. Terminal connection is not IP Rated.