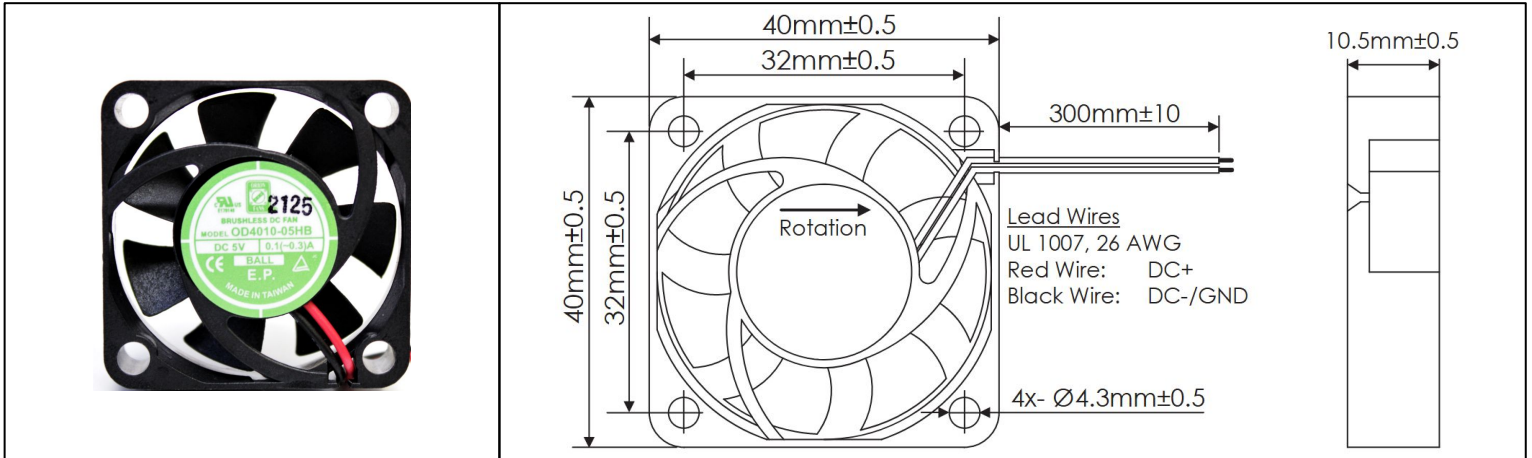


OD4010 Series



DC Fans - 5, 12, 24V
40mm x 10.5mm (1.6" x 0.4")



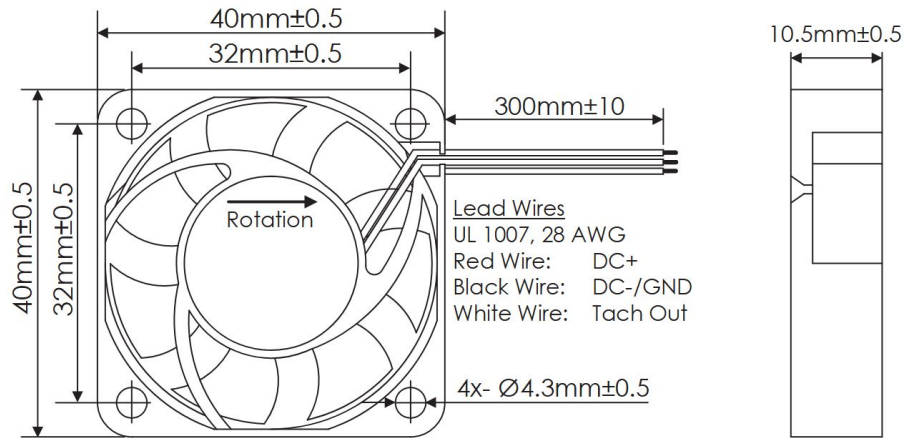
Frame	PBT, UL94 V-0 Plastic	Operating Temperature -20°C ~ +65°C Storage Temperature -20°C ~ +75°C Life Expectancy 60,000 Hours (L10 at 45°C) Available Options PWM Speed Control Input Tachometer Output Alarm Output IP Ratings Sealed Sleeve Bearings Weight: 0.05 lbs.	
Impeller	PBT, UL94 V-0 Plastic		
Connection	2x Lead Wires, 26 AWG		
Motor	Brushless DC, Auto Cutoff, Auto Restart, Polarity Protected, Electronically Protected		
Bearing System	Ball Bearings		
Dielectric Strength	500VDC/min, <1mA		
Insulation Resistance	≥10MΩ @ 500 VDC		

Part Number	Rated Voltage (Volts DC)	Voltage Range (Volts DC)	Input Power (Watts)	Rated Current (Amps)(Max)	Rated Speed (RPM)	Max Airflow (CFM)	Noise Level (dBA)	Max Static Pressure ("H ₂ O)
OD4010-05HHB	5	4.5 ~ 5.5	0.5	0.10(0.30)	10000	12	38.2	0.34
OD4010-05HB	5	4.5 ~ 5.5	0.5	0.10(0.30)	8000	9.2	33.4	0.20
OD4010-05MB	5	4.5 ~ 5.5	0.36	0.07(0.12)	6000	7.2	26.3	0.12
OD4010-05LB	5	4.5 ~ 5.5	0.30	0.06(0.10)	4000	4.7	20.1	0.07
OD4010-12HHB	12	10.8 ~ 13.2	0.72	0.07(0.18)	10000	12	38.2	0.34
OD4010-12HB	12	10.8 ~ 13.2	0.72	0.07(0.12)	8000	9.2	33.4	0.20
OD4010-12MB	12	10.8 ~ 13.2	0.6	0.05(0.10)	6000	7.2	26.3	0.12
OD4010-12LB	12	10.8 ~ 13.2	0.50	0.04(0.06)	4000	4.7	20.1	0.07
OD4010-24HHB	24	21.6 ~ 26.4	1.45	0.06(0.09)	10000	12	38.2	0.34
OD4010-24HB	24	21.6 ~ 26.4	1.45	0.06(0.08)	8000	9.2	33.4	0.20
OD4010-24MB	24	21.6 ~ 26.4	1.2	0.05(0.07)	6000	7.2	26.3	0.12
OD4010-24LB	24	21.6 ~ 26.4	0.73	0.03(0.05)	4000	4.7	20.1	0.07

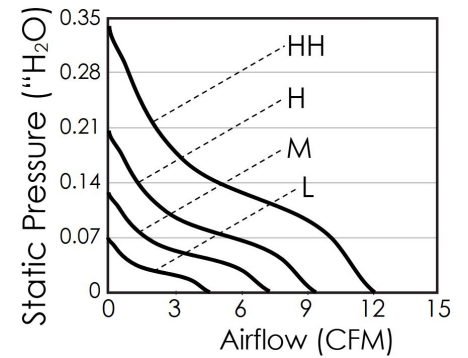
OD4010 Series with Tach



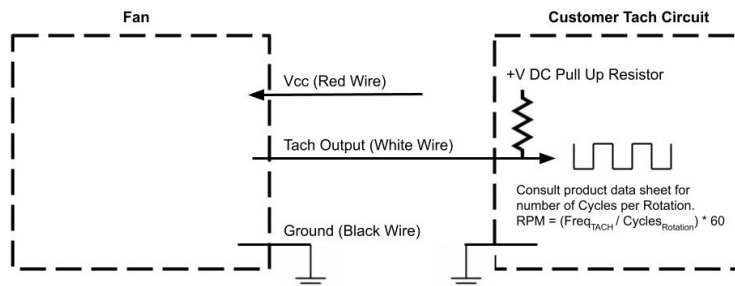
DC Fans - 5, 12, 24V
40mm x 10.5mm (1.6" x 0.4")



Frame	PBT, UL94 V-0 Plastic	Operating Temperature -20°C ~ +65°C
Impeller	PBT, UL94 V-0 Plastic	
Connection	3x Lead Wires, 28 AWG	Storage Temperature -20°C ~ +75°C
Motor	Brushless DC, Auto Cutoff, Auto Restart, Polarity Protected, Electronically Protected	
Bearing System	Ball Bearings	Life Expectancy 60,000 Hours (L10 at 45°C)
Dielectric Strength	500VDC/min, <1mA	
Insulation Resistance	≥10MΩ @ 500 VDC	Installed Options Open Collector Tach Output
		Weight: 0.05 lbs.



Part Number	Rated Voltage (Volts DC)	Voltage Range (Volts DC)	Input Power (Watts)	Rated Current (Amps) (Max)	Rated Speed (RPM)	Max Airflow (CFM)	Noise Level (dBA)	Max Static Pressure ("H ₂ O)
OD4010-05HHB01A	5	4.5 ~ 5.5	0.5	0.10(0.30)	10000	12	38.2	0.34
OD4010-05HB01A	5	4.5 ~ 5.5	0.5	0.10(0.30)	8000	9.2	33.4	0.20
OD4010-05MB01A	5	4.5 ~ 5.5	0.36	0.07(0.12)	6000	7.2	26.3	0.12
OD4010-05LB01A	5	4.5 ~ 5.5	0.30	0.06(0.10)	4000	4.7	20.1	0.07
OD4010-12HHB01A	12	10.8 ~ 13.2	0.72	0.07(0.18)	10000	12	38.2	0.34
OD4010-12HB01A	12	10.8 ~ 13.2	0.72	0.07 (0.12)	8000	9.2	33.4	0.20
OD4010-12MB01A	12	10.8 ~ 13.2	0.6	0.05(0.10)	6000	7.2	26.3	0.12
OD4010-12LB01A	12	10.8 ~ 13.2	0.50	0.04(0.06)	4000	4.7	20.1	0.07
OD4010-24HHB01A	24	21.6 ~ 26.4	1.45	0.06(0.09)	10000	12	38.2	0.34
OD4010-24HB01A	24	21.6 ~ 26.4	1.4	0.06 (0.08)	8000	9.2	33.4	0.20
OD4010-24MB01A	24	21.6 ~ 26.4	1.2	0.05(0.07)	6000	7.2	26.3	0.12
OD4010-24LB01A	24	21.6 ~ 26.4	0.73	0.03(0.05)	4000	4.7	20.1	0.07

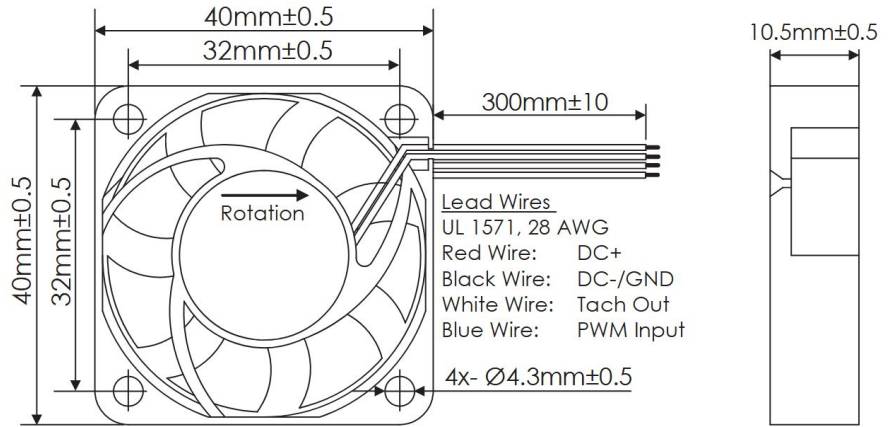


Tach Max Pullup Voltage: Fan Vcc
Tach Max Sink Current: 5mA
Tach Cycles per Rotation: 2

OD4010 Series with PWM and Tach

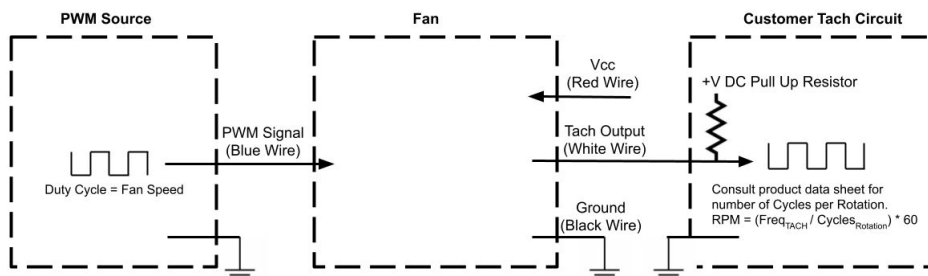


DC Fans - 5, 12, 24V
40mm x 10.5mm (1.6" x 0.4")



Frame	PBT, UL94 V-0 Plastic	Operating Temperature -20°C ~ +65°C Storage Temperature -20°C ~ +75°C Life Expectancy 60,000 Hours (L10 at 45°C) Installed Options PWM Speed Control Input Open Collector Tach Output Weight: 0.05 lbs.
Impeller	PBT, UL94 V-0 Plastic	
Connection	4x Lead Wires, 28 AWG	
Motor	Brushless DC, Auto Cutoff, Auto Restart, Polarity Protected, Electronically Protected	
Bearing System	Ball Bearings	
Dielectric Strength	500VDC/min, <1mA	
Insulation Resistance	≥10MΩ @ 500 VDC	<p>Static Pressure ("H₂O") vs Airflow (CFM) graph showing curves for HH, H, M, and L speeds.</p>

Part Number	Rated Voltage (Volts DC)	Voltage Range (Volts DC)	Input Power (Watts)	Rated Current (Amps) (Max)	Rated Speed (RPM)	Max Airflow (CFM)	Noise Level (dBA)	Max Static Pressure ("H ₂ O)
OD4010-05HHB10A	5	4.5 ~ 5.5	0.5	0.10(0.30)	10000	12	38.2	0.34
OD4010-05HB10A	5	4.5 ~ 5.5	0.5	0.10(0.30)	8000	9.2	33.4	0.20
OD4010-05MB10A	5	4.5 ~ 5.5	0.36	0.07(0.12)	6000	7.2	26.3	0.12
OD4010-05LB10A	5	4.5 ~ 5.5	0.30	0.06(0.10)	4000	4.7	20.1	0.07
OD4010-12HHB10A	12	10.8 ~ 13.2	0.72	0.07(0.18)	10000	12	38.2	0.34
OD4010-12HB10A	12	10.8 ~ 13.2	0.72	0.07 (0.12)	8000	9.2	33.4	0.20
OD4010-12MB10A	12	10.8 ~ 13.2	0.6	0.05(0.10)	6000	7.2	26.3	0.12
OD4010-12LB10A	12	10.8 ~ 13.2	0.50	0.04(0.06)	4000	4.7	20.1	0.07
OD4010-24HHB10A	24	21.6 ~ 26.4	1.45	0.06(0.09)	10000	12	38.2	0.34
OD4010-24HB10A	24	21.6 ~ 26.4	1.4	0.06 (0.08)	8000	9.2	33.4	0.20
OD4010-24MB10A	24	21.6 ~ 26.4	1.2	0.05(0.07)	6000	7.2	26.3	0.12
OD4010-24LB10A	24	21.6 ~ 26.4	0.73	0.03(0.05)	4000	4.7	20.1	0.07



- PWM Max High Voltage: 5V
- PWM Max Sink Current: 5mA
- PWM Frequency Range: 1KHz-100KHz
- PWM Typical Frequency: 25KHz
- RPM at 0% Duty Cycle: 0 RPM
- RPM will be full speed if PWM input is disconnected.
- Tach Max Pullup Voltage: Fan Vcc
- Tach Max Sink Current: 5mA
- Tach Cycles per Rotation: 2