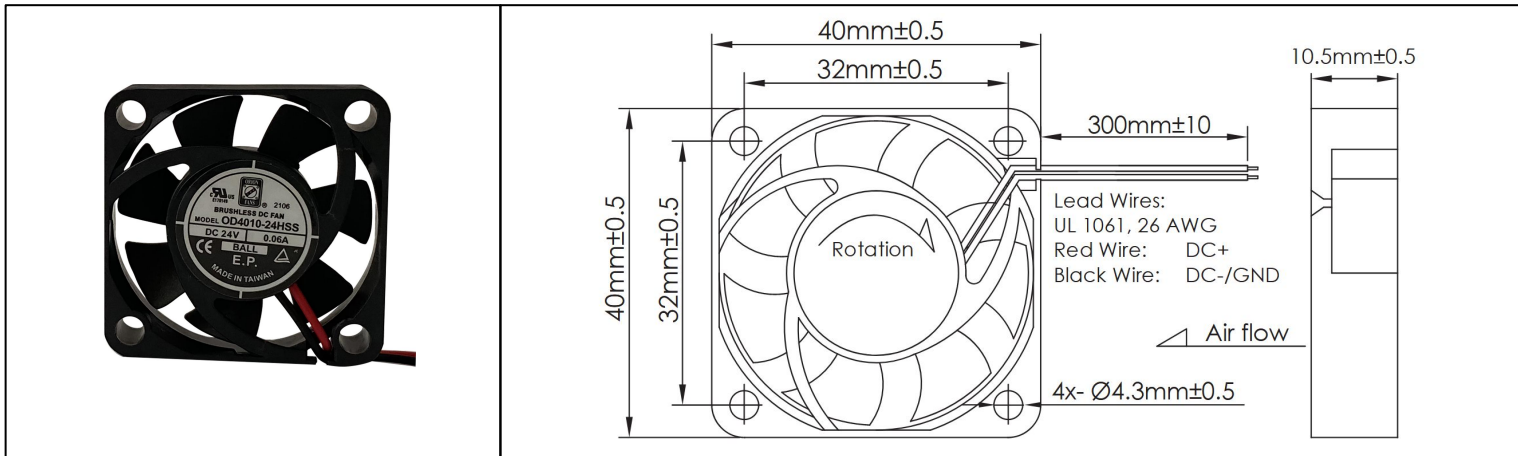


OD4010 Sealed Sleeve Series



DC Fans - 5, 12, 24V
40mm x 40mm x 10.5mm (1.6" x 0.4")



| | | | |
|------------------------------|---|---|--|
| Frame | PBT, UL94 V-0 Plastic | Operating Temperature -10°C ~ +70°C Storage Temperature -20°C ~ +75°C Life Expectancy 50,000 Hours (L10 at 45°C) Available Options PWM Speed Control Input Tachometer Output Alarm Output Weight: 0.044 lbs | |
| Impeller | PBT, UL94 V-0 Plastic | | |
| Connection | 2x Lead Wires, 26 AWG | | |
| Motor | Brushless DC, Auto Cutoff, Auto Restart, Polarity Protected, Electronically Protected | | |
| Bearing System | Sealed Sleeve | | |
| Dielectric Strength | 500VDC/min, <1mA | | |
| Insulation Resistance | ≥10MΩ @ 500 VDC | | |

| Part Number | Rated Voltage (Volts DC) | Voltage Range (Volts DC) | Input Power (Watts) | Rated Current (Amps)(Max) | Rated Speed (RPM) | Max Airflow (CFM) | Noise Level (dBA) | Max Static Pressure ("H ₂ O) |
|--------------|--------------------------|--------------------------|---------------------|---------------------------|-------------------|-------------------|-------------------|---|
| OD4010-05HSS | 5 | 4.5 ~ 5.5 | 0.50 (1.50) | 0.10 (0.30) | 8000 | 9.2 | 33.2 | 0.20 |
| OD4010-12HSS | 12 | 10.8 ~ 13.2 | 0.84 (1.44) | 0.07 (0.12) | 8000 | 9.2 | 33.2 | 0.20 |
| OD4010-24HSS | 24 | 21.6 ~ 26.4 | 1.44 (1.92) | 0.06 (0.08) | 8000 | 9.2 | 33.2 | 0.20 |