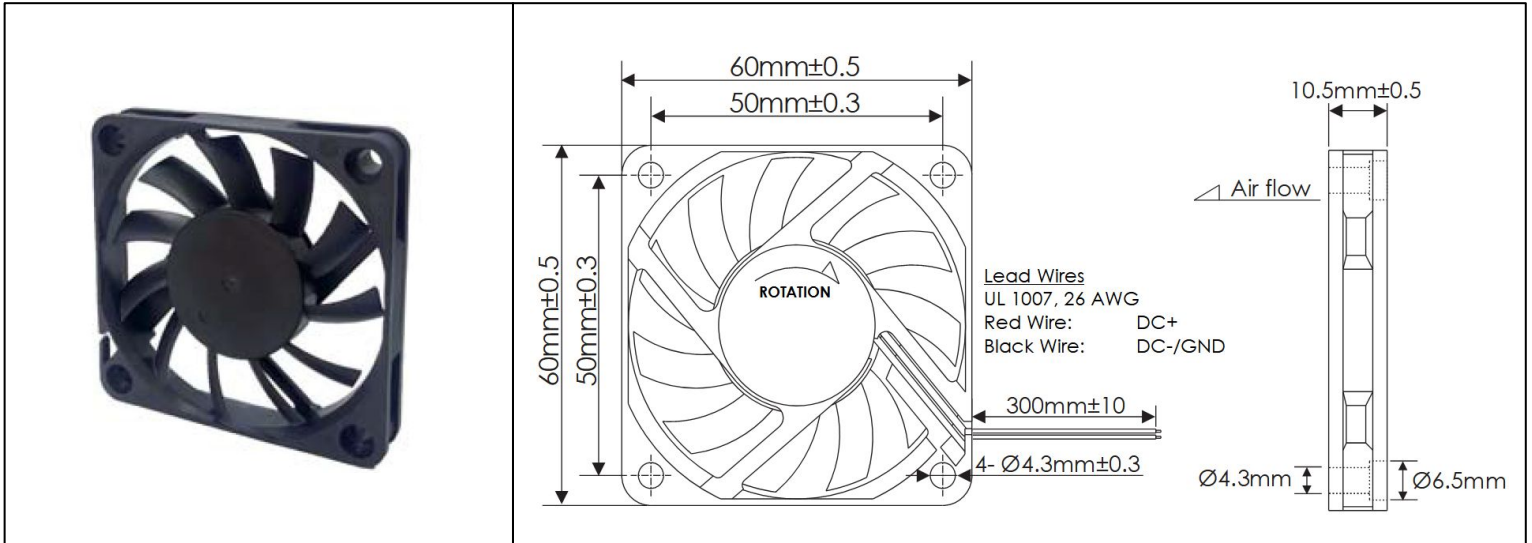


OD6010 Series



DC Fans - 5, 12, 24V
60mm x 60mm x 10.5mm (2.4" x 0.4")



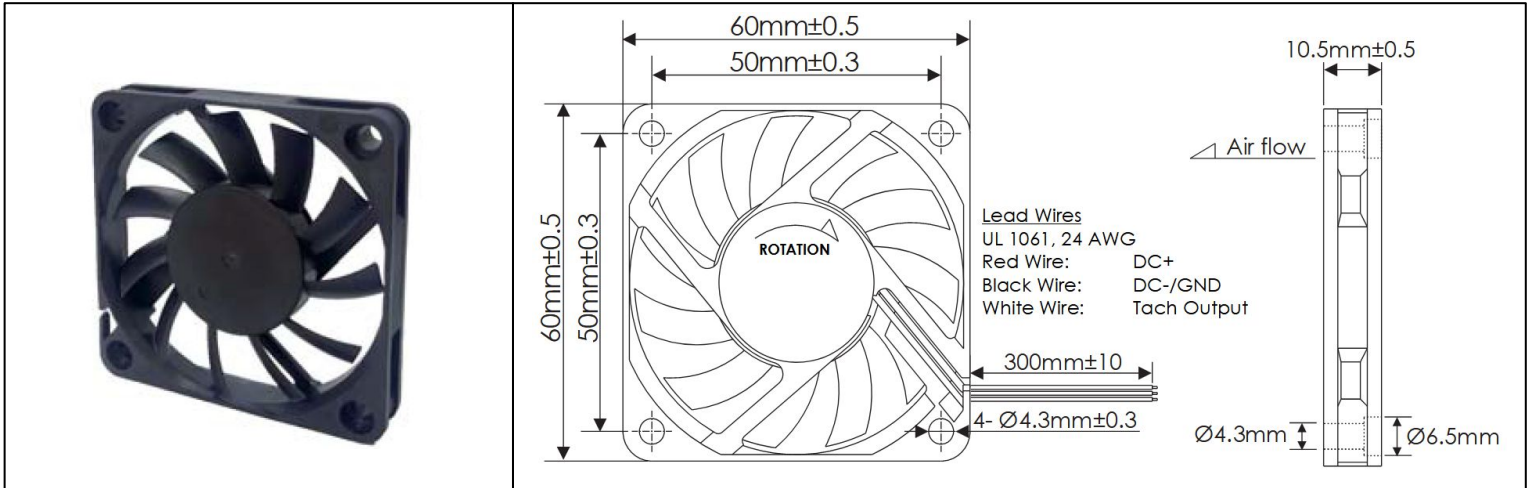
Frame	PBT, UL94 V-0 Plastic	Operating Temperature -20°C ~ +65°C	
Impeller	PBT, UL94 V-0 Plastic		
Connection	2x Wire Leads, 26 AWG	Life Expectancy 70,000 Hours (L10 at 40°C)	
Motor	Brushless DC, Auto Cutoff, Auto Restart, Electronically Protected, Polarity Protected	Available Options PWM Speed Control Input Tachometer Output Alarm Output IP Ratings 48V Versions	
Bearing System	Ball Bearings	Weight: 0.05 lbs	
Dielectric Strength	500VDC/min, <1mA		
Insulation Resistance	≥10MΩ @ 500 VDC		

Part Number	Rated Voltage (Volts DC)	Voltage Range (Volts DC)	Input Power (Watts)	Rated Current (Amps)(~Max)	Rated Speed (RPM)	Max Airflow (CFM)	Noise Level (dBA)	Max Static Pressure (" H ₂ O)
OD6010-05HB	5	4.5 ~ 5.5	1.3	0.25 (0.36)	4975	19.8	36.5	0.16
OD6010-05MB	5	4.5 ~ 5.5	1.0	0.19 (0.27)	4250	17.0	33.2	0.12
OD6010-05LB	5	4.5 ~ 5.5	0.8	0.15 (0.22)	3500	14.3	28.1	0.08
OD6010-12HB	12	8 ~ 13.8	2.2	0.18 (0.26)	4975	19.8	36.5	0.16
OD6010-12MB	12	8 ~ 13.8	1.9	0.15 (0.22)	4250	17.0	33.2	0.12
OD6010-12LB	12	8 ~ 13.8	1.2	0.10 (0.14)	3500	14.3	28.1	0.08
OD6010-24HB	24	14 ~ 26.4	3.1	0.15 (0.22)	4975	19.8	36.5	0.16
OD6010-24MB	24	14 ~ 26.4	3.0	0.13 (0.19)	4250	17.0	33.2	0.12
OD6010-24LB	24	14 ~ 26.4	1.6	0.07 (0.10)	3500	14.3	28.1	0.08

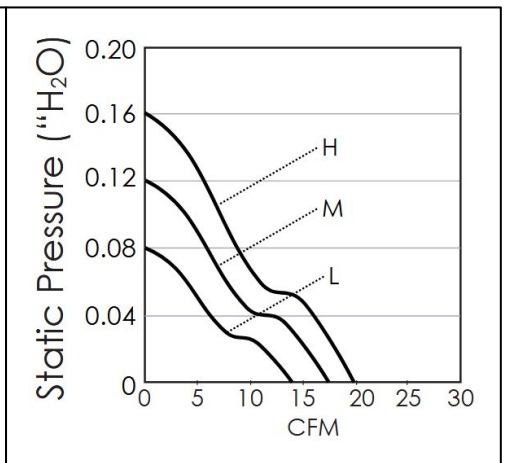
OD6010 Series with Tachometer



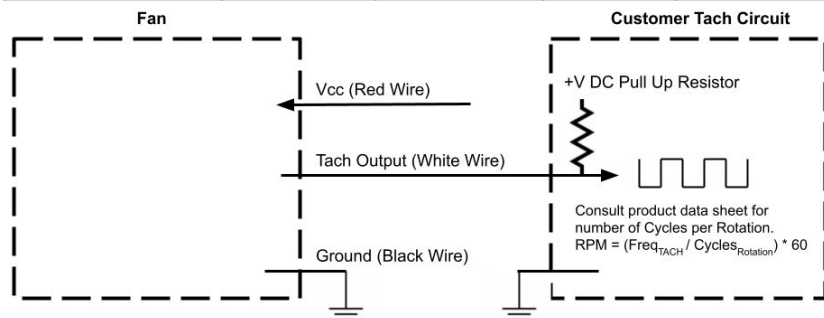
DC Fans - 5, 12, 24V
60mm x 60mm x 10.5mm (2.4" x 0.4")



Frame	PBT, UL94 V-0 Plastic	Operating Temperature -20°C ~ +65°C
Impeller	PBT, UL94 V-0 Plastic	
Connection	3x Wire Leads, 24 AWG	Storage Temperature -20°C ~ +75°C
Motor	Brushless DC, Auto Cutoff, Auto Restart, Electronically Protected, Polarity Protected	
Bearing System	Ball Bearings	Life Expectancy 70,000 Hours (L10 at 40°C)
Dielectric Strength	500VDC/min, <1mA	
Insulation Resistance	≥10MΩ @ 500 VDC	Installed Options Open Collector Tach Output
		Weight: 0.05 lbs



Part Number	Rated Voltage (Volts DC)	Voltage Range (Volts DC)	Input Power (Watts)	Rated Current (Amps)(~Max)	Rated Speed (RPM)	Max Airflow (CFM)	Noise Level (dBA)	Max Static Pressure (" H ₂ O)
OD6010-05HB01A	5	4.5 ~ 5.5	1.3	0.25 (0.36)	4975	19.8	36.5	0.16
OD6010-05MB01A	5	4.5 ~ 5.5	1.0	0.19 (0.27)	4250	17.0	33.2	0.12
OD6010-05LB01A	5	4.5 ~ 5.5	0.8	0.15 (0.22)	3500	14.3	28.1	0.08
OD6010-12HB01A	12	8 ~ 13.8	2.2	0.18 (0.26)	4975	19.8	36.5	0.16
OD6010-12MB01A	12	8 ~ 13.8	1.9	0.15 (0.22)	4250	17.0	33.2	0.12
OD6010-12LB01A	12	8 ~ 13.8	1.2	0.10 (0.14)	3500	14.3	28.1	0.08
OD6010-24HB01A	24	14 ~ 26.4	3.1	0.15 (0.22)	4975	19.8	36.5	0.16
OD6010-24MB01A	24	14 ~ 26.4	3.0	0.13 (0.19)	4250	17.0	33.2	0.12
OD6010-24LB01A	24	14 ~ 26.4	1.6	0.07 (0.10)	3500	14.3	28.1	0.08



Tach Max Pullup Voltage: Fan Vcc
 Tach Max Sink Current: 5mA
 Tach Cycles per Rotation: 2