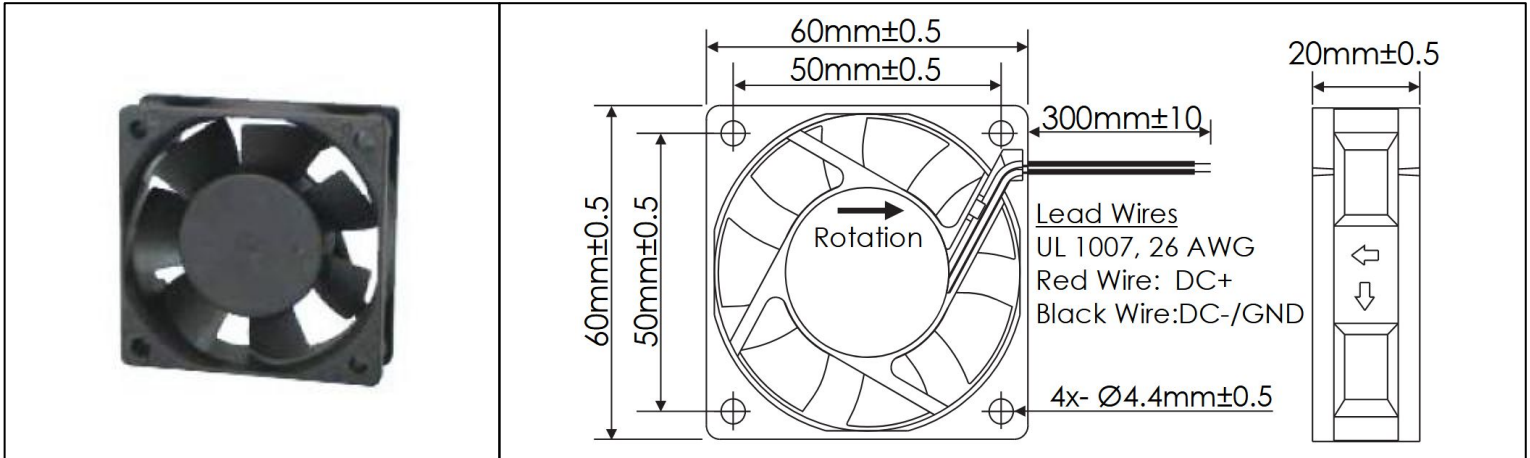


OD6020 Series



DC Fans - 5, 12, 24V
60mm x 20mm (2.4" x 0.8")



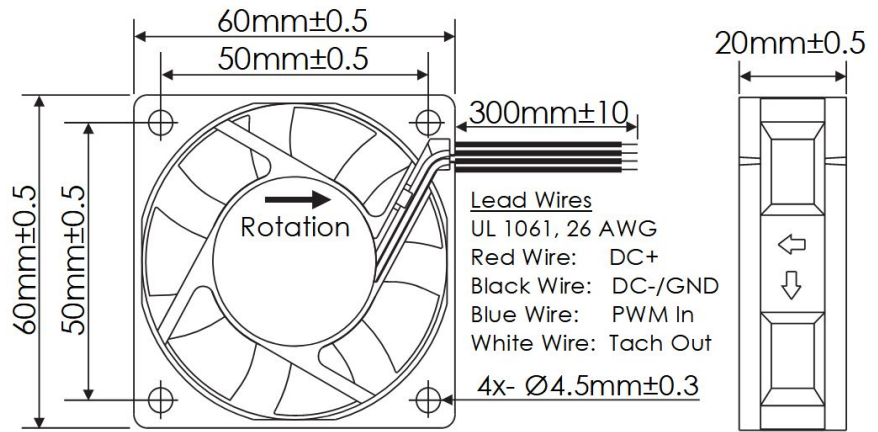
Frame	PBT, UL94 V-0 Plastic	Operating Temperature -20°C ~ +65°C Storage Temperature -20°C ~ +75°C Life Expectancy 60,000 Hours (L10 at 45°C) Available Options PWM Speed Control Input Tachometer Output Alarm Output Sealed Sleeve Bearings IP Ratings Weight: 0.13 lbs	
Impeller	PBT, UL94 V-0 Plastic		
Connection	2x Lead Wires, 26 AWG		
Motor	Brushless DC, Auto Cutoff, Auto Restart, Polarity Protected, Electronically Protected		
Bearing System	Ball Bearings		
Dielectric Strength	500VDC/min, <1mA		
Insulation Resistance	≥10M Ohm @ 500 VDC		

Part Number	Rated Voltage (Volts)	Voltage Range (Volts)	Input Power (Watts)	Rated Current (Amps)	Rated Speed (RPM)	Max Airflow (CFM)	Noise Level (dBA)	Max Static Pressure (\"H ₂ O)
OD6020-05MB	5	4.5 ~ 5.5	1.3	0.25	4675	17.4	28.3	0.15
OD6020-05LB	5	4.5 ~ 5.5	1.0	0.19	3790	14.9	26.2	0.10
OD6020-12HB	12	8 ~ 13.8	2.2	0.18	5550	22.8	33.4	0.20
OD6020-12MB	12	8 ~ 13.8	2.2	0.18	4675	17.4	28.3	0.15
OD6020-12LB	12	8 ~ 13.8	1.8	0.15	3790	14.9	26.2	0.10
OD6020-24HB	24	15 ~ 26.4	3.6	0.15	5550	22.8	33.4	0.20
OD6020-24MB	24	15 ~ 26.4	3.6	0.15	4675	17.4	28.3	0.15
OD6020-24LB	24	15 ~ 26.4	3.1	0.13	3790	14.9	26.2	0.10

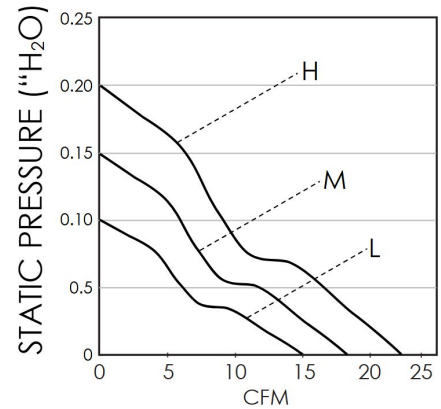
OD6020 Series with PWM and Tach



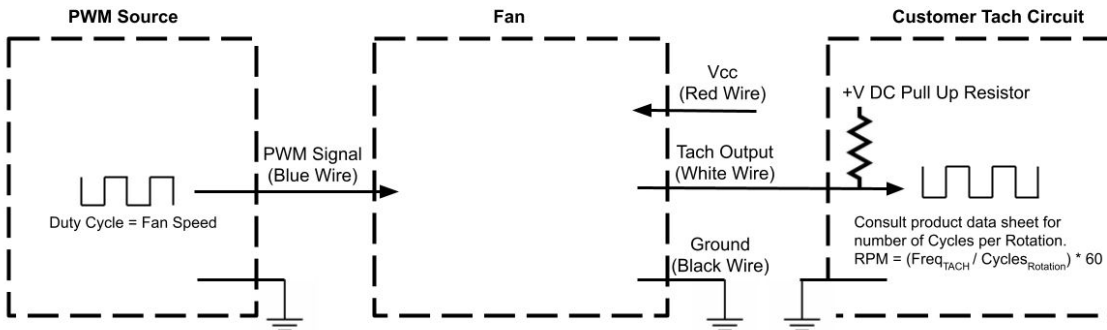
DC Fans - 5, 12, 24V
60mm x 20mm (2.4" x 0.8")



Frame	PBT, UL94 V-0 Plastic	Operating Temperature -20°C ~ +65°C Storage Temperature -20°C ~ +75°C Life Expectancy 60,000 Hours (L10 at 45°C) Installed Options PWM Speed Control Input Open Collector Tach Output Available Options 5V TTL Tach Output Weight: 0.13 lbs
Impeller	PBT, UL94 V-0 Plastic	
Connection	4x Lead Wires, 26 AWG	
Motor	Brushless DC, Auto Cutoff, Auto Restart, Polarity Protected, Electronically Protected	
Bearing System	Ball Bearings	
Dielectric Strength	500VDC/min, <1mA	
Insulation Resistance	≥10M Ohm @ 500 VDC	



Part Number	Rated Voltage (Volts)	Voltage Range (Volts)	Input Power (Watts)	Rated Current (Amps)	Rated Speed (RPM)	Max Airflow (CFM)	Noise Level (dBA)	Max Static Pressure ("H ₂ O)
OD6020-05MB10A	5	4.5 ~ 5.5	1.3	0.25	4675	17.4	28.3	0.15
OD6020-05LB10A	5	4.5 ~ 5.5	1.0	0.19	3790	14.9	26.2	0.10
OD6020-12HB10A	12	8 ~ 13.8	2.2	0.18	5550	22.8	33.4	0.20
OD6020-12MB10A	12	8 ~ 13.8	2.2	0.18	4675	17.4	28.3	0.15
OD6020-12LB10A	12	8 ~ 13.8	1.8	0.15	3790	14.9	26.2	0.10
OD6020-24HB10A	24	15 ~ 26.4	3.6	0.15	5550	22.8	33.4	0.20
OD6020-24MB10A	24	15 ~ 26.4	3.6	0.15	4675	17.4	28.3	0.15
OD6020-24LB10A	24	15 ~ 26.4	3.1	0.13	3790	14.9	26.2	0.10



Tach Max Pullup Voltage: Fan Vcc
 Tach Max Sink Current: 5mA
 Tach Cycles per Rotation: 2
 PWM Max High Voltage: 5V
 PWM Max Sink Current: 5mA
 PWM Frequency Range: 1KHz-40KHz
 PWM Typical Frequency: 25KHz
 RPM at 0% Duty Cycle: 0 RPM
 RPM will be full speed if PWM input is disconnected.
 RPM will be 0 RPM if PWM input is grounded.