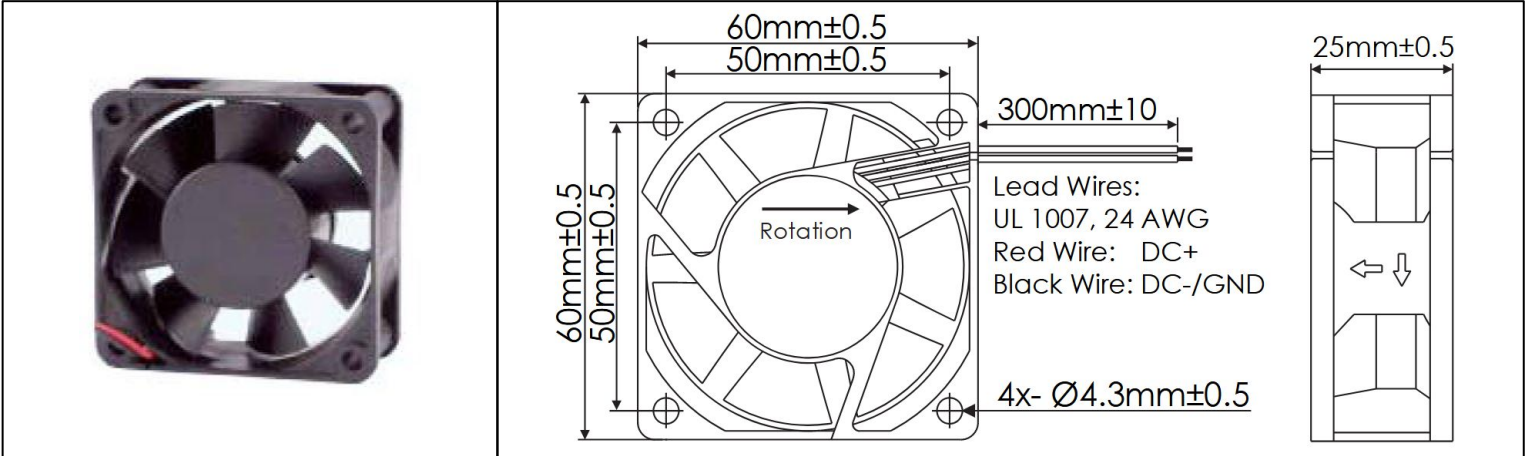


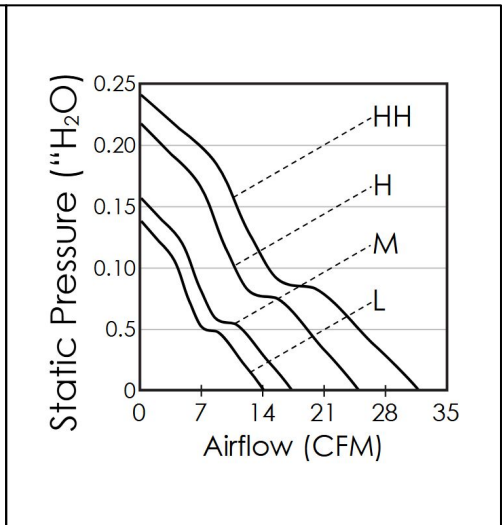
# OD6025 IP69K Series



DC Fans - 12, 24, 48V  
60mm x 25mm (2.4" x 1.0")



|                       |  |  |
|-----------------------|--|--|
| Frame                 | PBT, UL94 V-0 Plastic  | <b>Operating Temperature</b><br>-20°C ~ +65°C<br><br><b>Storage Temperature</b><br>-25°C ~ +70°C<br><br><b>Life Expectancy</b><br>60,000 Hours (L10 at 45°C)<br><br><b>Available Options</b><br>PWM Speed Control Input<br>Tachometer Output<br>Alarm Output<br>5V DC Versions<br>Salt Fog Ratings<br><br>Weight: 0.14 lbs |
| Impeller              | PBT, UL94 V-0 Plastic  |  |
| Connection            | 2x Lead Wires, 24 AWG  |  |
| Motor                 | Brushless DC, Auto Cutoff, Auto Restart, Polarity Protected, Electronically Protected, IP69K |  |
| Bearing System        | Ball Bearings  |  |
| Dielectric Strength   | 500VDC/min, < 1mA  |  |
| Insulation Resistance | ≥10MΩ @ 500 VDC  |  |



| Part Number      | Rated Voltage (Volts DC) | Voltage Range (Volts DC) | Input Power (Watts) | Rated Current (Amps) | Rated Speed (RPM) | Airflow (CFM) | Noise Level (dBA) | Max. Static Pressure ("H <sub>2</sub> O) |
|------------------|--------------------------|--------------------------|---------------------|----------------------|-------------------|---------------|-------------------|--|
| OD6025-12HBIP69K | 12                       | 8 ~ 13.8                 | 1.8                 | 0.15                 | 3975              | 25            | 30                | 0.22"                                    |
| OD6025-24HBIP69K | 24                       | 15 ~ 26                  | 2.8                 | 0.12                 | 3975              | 25            | 30                | 0.22"                                    |
| OD6025-48HBIP69K | 48                       | 28 ~ 52                  | 3.4                 | 0.07                 | 3975              | 25            | 30                | 0.22"                                    |