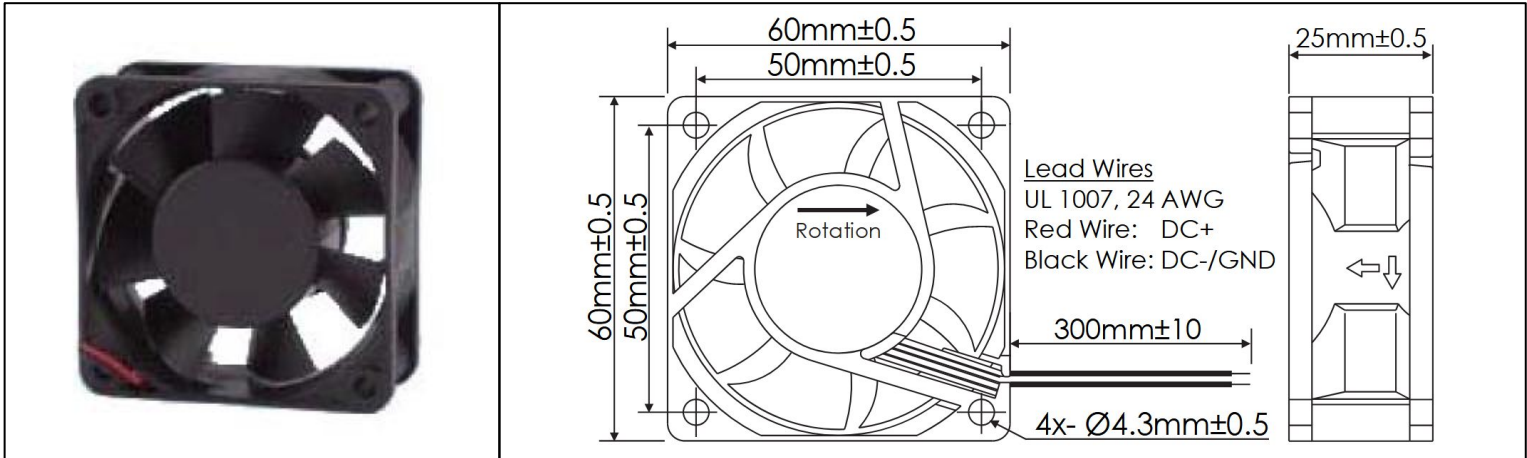


# OD6025 XE Series



DC Fans - 12, 24, 48V  
60mm x 25mm (2.4" x 1.0")



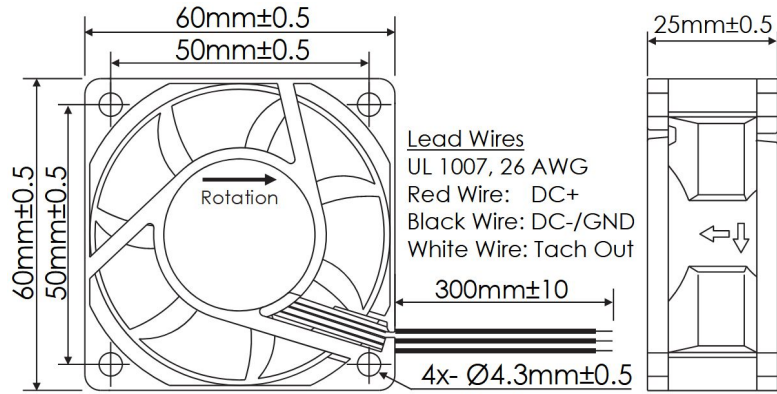
<b>Frame</b>	PBT, UL94 V-0 Plastic	<b>Operating Temperature</b> -20°C ~ +65°C  <b>Storage Temperature</b> -20°C ~ +75°C  <b>Life Expectancy</b> 70,000 Hours (L10 at 40°C)  <b>Available Options</b> Tachometer Output Alarm Output PWM Speed Control Input IP and Salt Fog Ratings  Weight: 0.14 lbs	
<b>Impeller</b>	PBT, UL94 V-0 Plastic		
<b>Connection</b>	2x Wire Leads, 24 AWG		
<b>Motor</b>	Brushless DC, Auto Cutoff, Auto Restart, Polarity Protected, Electronically Protected		
<b>Bearing System</b>	Ball Bearings		
<b>Dielectric Strength</b>	500VDC/min, <1mA		
<b>Insulation Resistance</b>	≥10MΩ @ 500 VDC		

Part Number	Rated Voltage (Volts DC)	Voltage Range (Volts DC)	Input Power (Watts)	Rated Current (Amps)	Rated Speed (RPM)	Max Airflow (CFM)	Noise Level (dBA)	Max Static Pressure ("H <sub>2</sub> O)
OD6025-12HHBXE	12	8 ~ 13.8	9.2	0.75	8175	54	65.3	0.94
OD6025-12HBXE	12	8 ~ 13.8	7.2	0.60	7515	49	63.1	0.78
OD6025-12MBXE	12	8 ~ 13.8	6.1	0.50	6750	45	56.1	0.55
OD6025-12LBXE	12	8 ~ 13.8	5	0.40	6050	40	53.2	0.43
OD6025-24HHBXE	24	15 ~ 26	9.1	0.35	8175	54	65.3	0.94
OD6025-24HBXE	24	15 ~ 26	7.2	0.30	7515	49	63.1	0.78
OD6025-24MBXE	24	15 ~ 26	6.1	0.25	6750	45	56.1	0.55
OD6025-24LBXE	24	15 ~ 26	5	0.20	6050	40	53.2	0.43
OD6025-48HHBXE	48	28 ~ 52	9.2	0.30	8175	54	65.3	0.94
OD6025-48HBXE	48	28 ~ 52	7.2	0.20	7515	49	63.1	0.78
OD6025-48MBXE	48	28 ~ 52	6.1	0.15	6750	45	56.1	0.55
OD6025-48LBXE	48	28 ~ 52	5.75	0.13	6050	40	53.2	0.43

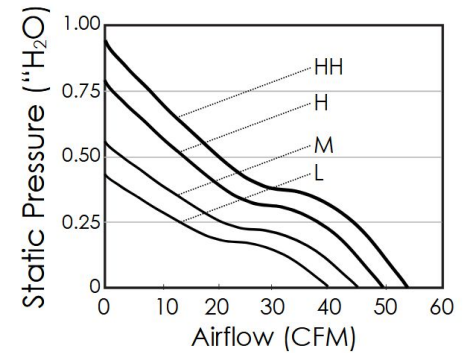
# OD6025 XE Series with Tach



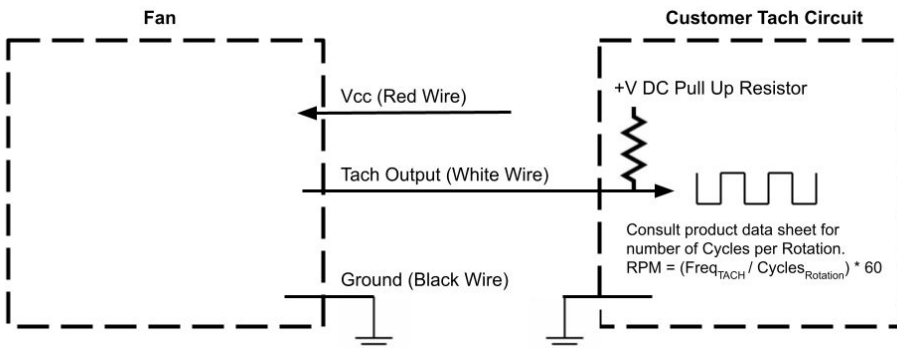
DC Fans - 12, 24, 48V  
60mm x 25mm (2.4" x 1.0")



Frame	PBT, UL94 V-0 Plastic	<b>Operating Temperature</b> -20°C ~ +65°C
Impeller	PBT, UL94 V-0 Plastic	
Connection	3x Wire Leads, 26 AWG	<b>Storage Temperature</b> -20°C ~ +75°C
Motor	Brushless DC, Auto Cutoff, Auto Restart, Polarity Protected, Electronically Protected	
Bearing System	Ball Bearings	<b>Life Expectancy</b> 70,000 Hours (L10 at 40°C)
Dielectric Strength	500VDC/min, <1mA	
Insulation Resistance	≥10MΩ @ 500 VDC	<b>Installed Options</b> Open Collector Tach Output
		Weight: 0.14 lbs



Part Number	Rated Voltage (Volts DC)	Voltage Range (Volts DC)	Input Power (Watts)	Rated Current (Amps)	Rated Speed (RPM)	Max Airflow (CFM)	Noise Level (dBA)	Max Static Pressure ("H <sub>2</sub> O)
OD6025-12HHBXE01A	12	8 ~ 13.8	9.2	0.75	8175	54	65.3	0.94
OD6025-12HBXE01A	12	8 ~ 13.8	7.2	0.60	7515	49	63.1	0.78
OD6025-12MBXE01A	12	8 ~ 13.8	6.1	0.50	6750	45	56.1	0.55
OD6025-12LBXE01A	12	8 ~ 13.8	5	0.40	6050	40	53.2	0.43
OD6025-24HHBXE01A	24	15 ~ 26	9.1	0.35	8175	54	65.3	0.94
OD6025-24HBXE01A	24	15 ~ 26	7.2	0.30	7515	49	63.1	0.78
OD6025-24MBXE01A	24	15 ~ 26	6.1	0.25	6750	45	56.1	0.55
OD6025-24LBXE01A	24	15 ~ 26	5	0.20	6050	40	53.2	0.43
OD6025-48HHBXE01A	48	28 ~ 52	9.2	0.30	8175	54	65.3	0.94
OD6025-48HBXE01A	48	28 ~ 52	7.2	0.20	7515	49	63.1	0.78
OD6025-48MBXE01A	48	28 ~ 52	6.1	0.15	6750	45	56.1	0.55
OD6025-48LBXE01A	48	28 ~ 52	5.75	0.13	6050	40	53.2	0.43



Tach Max Pullup Voltage: Fan Vcc  
Tach Max Sink Current: 5mA  
Tach Cycles per Rotation: 2