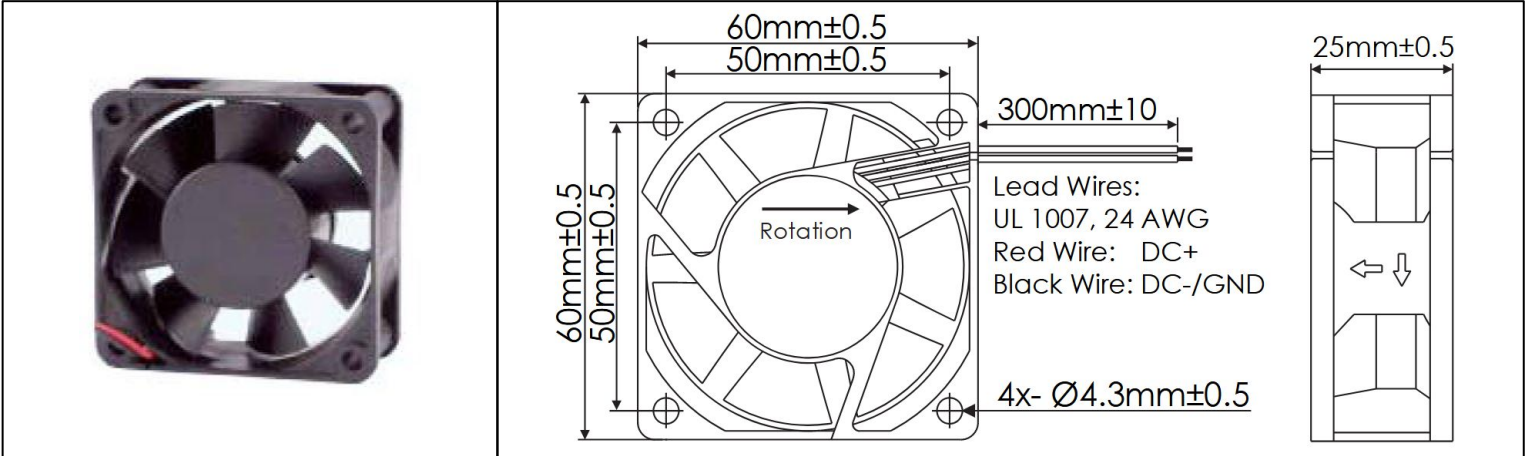


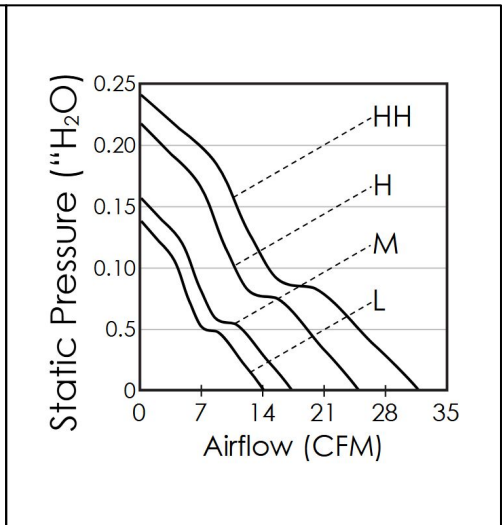
# OD6025 IP69K Series



DC Fans - 12, 24, 48V  
60mm x 25mm (2.4" x 1.0")



Frame	PBT, UL94 V-0 Plastic	<b>Operating Temperature</b> -20°C ~ +65°C  <b>Storage Temperature</b> -25°C ~ +70°C  <b>Life Expectancy</b> 60,000 Hours (L10 at 45°C)  <b>Available Options</b> PWM Speed Control Input Tachometer Output Alarm Output 5V DC Versions Salt Fog Ratings  Weight: 0.14 lbs
Impeller	PBT, UL94 V-0 Plastic	
Connection	2x Lead Wires, 24 AWG	
Motor	Brushless DC, Auto Cutoff, Auto Restart, Polarity Protected, Electronically Protected, IP69K	
Bearing System	Ball Bearings	
Dielectric Strength	500VDC/min, < 1mA	
Insulation Resistance	≥10MΩ @ 500 VDC	



Part Number	Rated Voltage (Volts DC)	Voltage Range (Volts DC)	Input Power (Watts)	Rated Current (Amps)	Rated Speed (RPM)	Airflow (CFM)	Noise Level (dBA)	Max. Static Pressure ("H <sub>2</sub> O)
OD6025-12HBIP69K	12	8 ~ 13.8	1.8	0.15	3975	25	30	0.22"
OD6025-24HBIP69K	24	15 ~ 26	2.8	0.12	3975	25	30	0.22"
OD6025-48HBIP69K	48	28 ~ 52	3.4	0.07	3975	25	30	0.22"