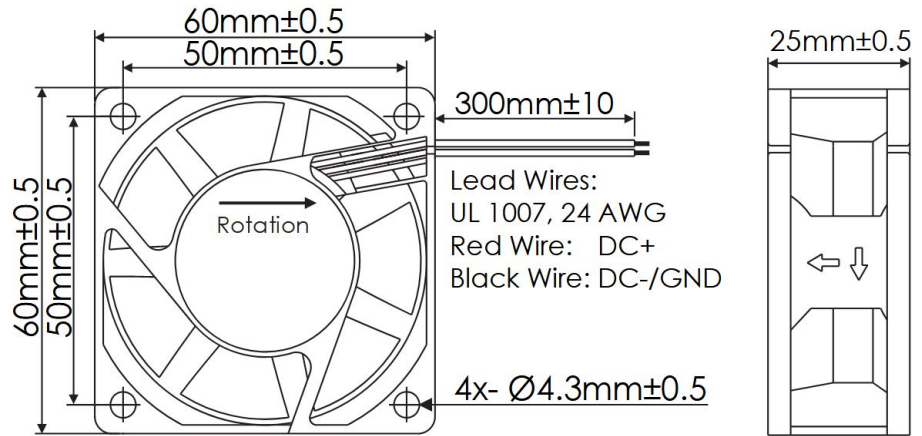


OD6025 Series



DC Fans - 12, 24, 48V
60mm x 25mm (2.4" x 1.0")



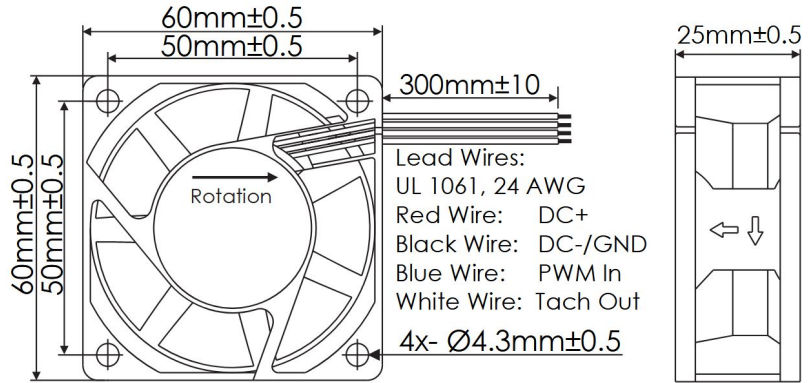
| | | | |
|-----------------------|---------------------------------------------------------------------------------------|-----------------------------------------------------------------------------------------------------------------------------------------------------------------------------------------------------------------------------------------------------------------------------------------------------------------------------------|--|
| Frame | PBT, UL94 V-0 Plastic | Operating Temperature -20°C ~ +65°C Storage Temperature -20°C ~ +70°C Life Expectancy 60,000 Hours (L10 at 45°C) Available Options PWM Speed Control Input Tachometer Output Alarm Output 5V DC Versions IP and Salt Fog Ratings Weight: 0.14 lbs | |
| Impeller | PBT, UL94 V-0 Plastic | | |
| Connection | 2x Lead Wires, 24 AWG | | |
| Motor | Brushless DC, Auto Cutoff, Auto Restart, Polarity Protected, Electronically Protected | | |
| Bearing System | Ball Bearings | | |
| Dielectric Strength | 500VDC/min, <1mA | | |
| Insulation Resistance | ≥10MΩ @ 500 VDC | | |

| Part Number | Rated Voltage (Volts DC) | Voltage Range (Volts DC) | Input Power (Watts) | Rated Current (Amps) | Rated Speed (RPM) | Max Airflow (CFM) | Noise Level (dBA) | Max Static Pressure ("H ₂ O) |
|--------------|--------------------------|--------------------------|---------------------|----------------------|-------------------|-------------------|-------------------|-----------------------------------------|
| OD6025-12HHB | 12 | 8 ~ 13.8 | 1.8 | 0.21 | 4390 | 32 | 32 | 0.24 |
| OD6025-12HB | 12 | 8 ~ 13.8 | 1.8 | 0.15 | 3975 | 25 | 30 | 0.22 |
| OD6025-12MB | 12 | 8 ~ 13.8 | 1.5 | 0.12 | 3150 | 17 | 25 | 0.16 |
| OD6025-12LB | 12 | 8 ~ 13.8 | 1.0 | 0.08 | 2480 | 14 | 20 | 0.14 |
| OD6025-24HHB | 24 | 15 ~ 26.4 | 3.6 | 0.15 | 4390 | 32 | 32 | 0.24 |
| OD6025-24HB | 24 | 15 ~ 26.4 | 2.8 | 0.12 | 3975 | 25 | 30 | 0.22 |
| OD6025-24MB | 24 | 15 ~ 26.4 | 2.2 | 0.09 | 3150 | 17 | 25 | 0.16 |
| OD6025-24LB | 24 | 15 ~ 26.4 | 1.5 | 0.06 | 2480 | 14 | 20 | 0.14 |
| OD6025-48HHB | 48 | 28 ~ 52.0 | 3.4 | 0.10 | 4390 | 32 | 32 | 0.24 |
| OD6025-48HB | 48 | 28 ~ 52.0 | 3.4 | 0.07 | 3975 | 25 | 30 | 0.23 |

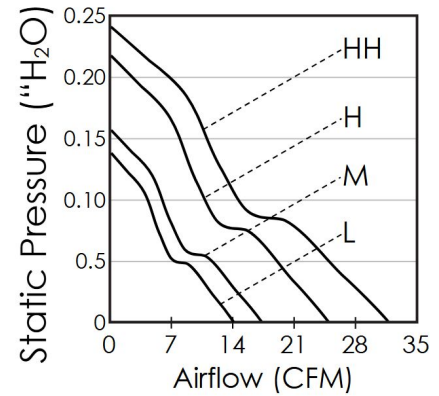
OD6025 Series with PWM and Tach



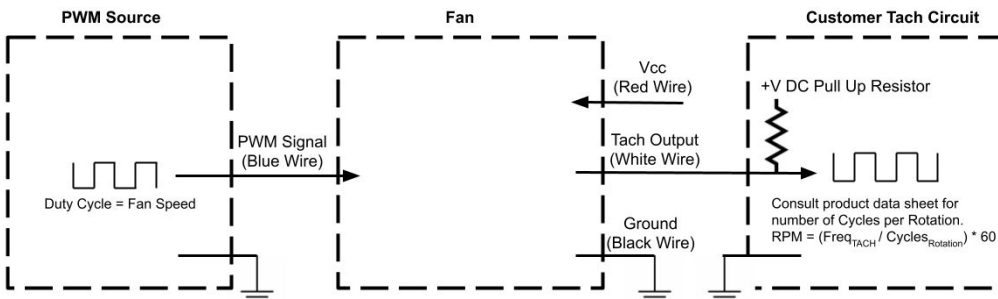
DC Fans - 12, 24, 48V
60mm x 25mm (2.4" x 1.0")



| | | |
|-----------------------|---------------------------------------------------------------------------------------|----------------------------------------------------------------------------|
| Frame | PBT, UL94 V-0 Plastic | Operating Temperature -20°C ~ +65°C |
| Impeller | PBT, UL94 V-0 Plastic | |
| Connection | 4x Lead Wires, 24 AWG | Storage Temperature -20°C ~ +70°C |
| Motor | Brushless DC, Auto Cutoff, Auto Restart, Polarity Protected, Electronically Protected | |
| Bearing System | Ball Bearings | Life Expectancy 60,000 Hours (L10 at 45°C) |
| Dielectric Strength | 500VDC/min, <1mA | |
| Insulation Resistance | ≥10MΩ @ 500 VDC | Installed Options PWM Speed Control Input Open Collector Tach Output |
| | | Weight: 0.14 lbs |



| Part Number | Rated Voltage (Volts DC) | Voltage Range (Volts DC) | Input Power (Watts) | Rated Current (Amps) | Rated Speed (RPM) | Max Airflow (CFM) | Noise Level (dBA) | Max Static Pressure ("H ₂ O) |
|-----------------|--------------------------|--------------------------|---------------------|----------------------|-------------------|-------------------|-------------------|-----------------------------------------|
| OD6025-12HHB10A | 12 | 8 ~ 13.8 | 1.8 | 0.21 | 4390 | 32 | 32 | 0.24 |
| OD6025-12HB10A | 12 | 8 ~ 13.8 | 1.8 | 0.15 | 3975 | 25 | 30 | 0.22 |
| OD6025-12MB10A | 12 | 8 ~ 13.8 | 1.5 | 0.12 | 3150 | 17 | 25 | 0.16 |
| OD6025-12LB10A | 12 | 8 ~ 13.8 | 1.0 | 0.08 | 2480 | 14 | 20 | 0.14 |
| OD6025-24HHB10A | 24 | 15 ~ 26.4 | 3.6 | 0.15 | 4390 | 32 | 32 | 0.24 |
| OD6025-24HB10A | 24 | 15 ~ 26.4 | 2.8 | 0.12 | 3975 | 25 | 30 | 0.22 |
| OD6025-24MB10A | 24 | 15 ~ 26.4 | 2.2 | 0.09 | 3150 | 17 | 25 | 0.16 |
| OD6025-24LB10A | 24 | 15 ~ 26.4 | 1.5 | 0.06 | 2480 | 14 | 20 | 0.14 |
| OD6025-48HHB10A | 48 | 28 ~ 52.0 | 3.4 | 0.10 | 4390 | 32 | 32 | 0.24 |
| OD6025-48HB10A | 48 | 28 ~ 52.0 | 3.4 | 0.07 | 3975 | 25 | 30 | 0.23 |

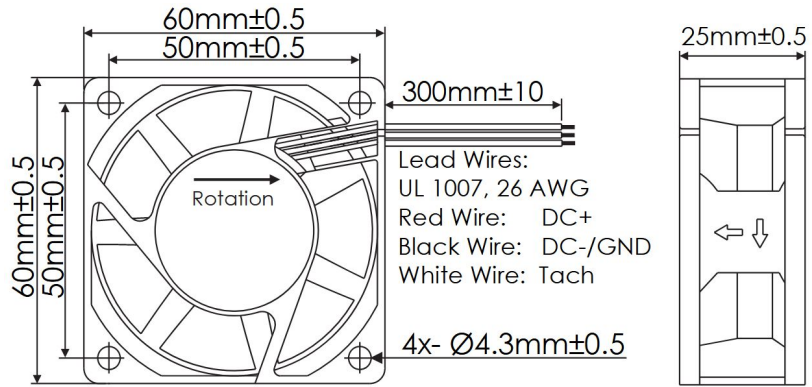


- Tach Max Pullup Voltage: Fan Vcc
- Tach Max Sink Current: 8mA
- Tach Cycles per Rotation: 2
- PWM Max High Voltage: 5V
- PWM Max Sink Current: 5mA
- PWM Frequency Range: 1KHz-40KHz
- PWM Typical Frequency: 25KHz
- RPM at 0% Duty Cycle: 0 RPM
- RPM will be full speed if PWM input is disconnected.
- RPM will be 0 RPM if PWM input is grounded.

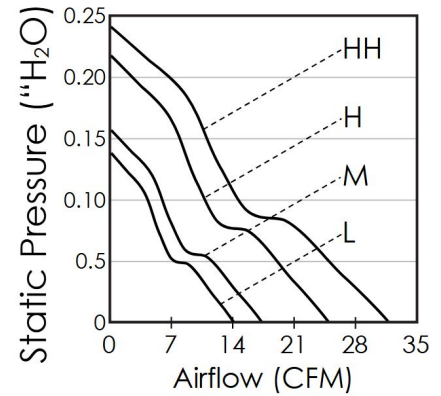
OD6025 Series with Tach



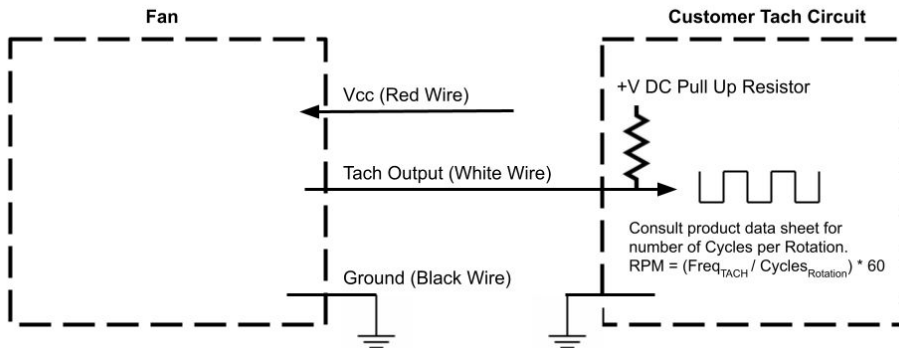
DC Fans - 12, 24, 48V
60mm x 25mm (2.4" x 1.0")



| | | |
|-----------------------|---------------------------------------------------------------------------------------|---------------------------------------------------------------------------------------------------------------------------------------------------------------------------------------------------------------------------------------------------------------------------------------------|
| Frame | PBT, UL94 V-0 Plastic | Operating Temperature -20°C ~ +65°C Storage Temperature -20°C ~ +70°C Life Expectancy 60,000 Hours (L10 at 45°C) Installed Options Open Collector Tach Output Available Options 5V TTL Tach Output Weight: 0.14 lbs |
| Impeller | PBT, UL94 V-0 Plastic | |
| Connection | 3x Lead Wires, 26 AWG | |
| Motor | Brushless DC, Auto Cutoff, Auto Restart, Polarity Protected, Electronically Protected | |
| Bearing System | Ball Bearings | |
| Dielectric Strength | 500VDC/min, <1mA | |
| Insulation Resistance | ≥10MΩ @ 500 VDC | |



| Part Number | Rated Voltage (Volts DC) | Voltage Range (Volts DC) | Input Power (Watts) | Rated Current (Amps) | Rated Speed (RPM) | Max Airflow (CFM) | Noise Level (dBA) | Max Static Pressure ("H ₂ O) |
|-----------------|--------------------------|--------------------------|---------------------|----------------------|-------------------|-------------------|-------------------|-----------------------------------------|
| OD6025-12HHB01A | 12 | 8 ~ 13.8 | 1.8 | 0.21 | 4390 | 32 | 32 | 0.24 |
| OD6025-12HB01A | 12 | 8 ~ 13.8 | 1.8 | 0.15 | 3975 | 25 | 30 | 0.22 |
| OD6025-12MB01A | 12 | 8 ~ 13.8 | 1.5 | 0.12 | 3150 | 17 | 25 | 0.16 |
| OD6025-12LB01A | 12 | 8 ~ 13.8 | 1.0 | 0.08 | 2480 | 14 | 20 | 0.14 |
| OD6025-24HHB01A | 24 | 15 ~ 26.4 | 3.6 | 0.15 | 4390 | 32 | 32 | 0.24 |
| OD6025-24HB01A | 24 | 15 ~ 26.4 | 2.8 | 0.12 | 3975 | 25 | 30 | 0.22 |
| OD6025-24MB01A | 24 | 15 ~ 26.4 | 2.2 | 0.09 | 3150 | 17 | 25 | 0.16 |
| OD6025-24LB01A | 24 | 15 ~ 26.4 | 1.5 | 0.06 | 2480 | 14 | 20 | 0.14 |
| OD6025-48HHB01A | 48 | 28 ~ 52.0 | 3.4 | 0.10 | 4390 | 32 | 32 | 0.24 |
| OD6025-48HB01A | 48 | 28 ~ 52.0 | 3.4 | 0.07 | 3975 | 25 | 30 | 0.23 |



Tach Max Pullup Voltage: Fan Vcc
 Tach Max Sink Current: 8mA
 Tach Cycles per Rotation: 2