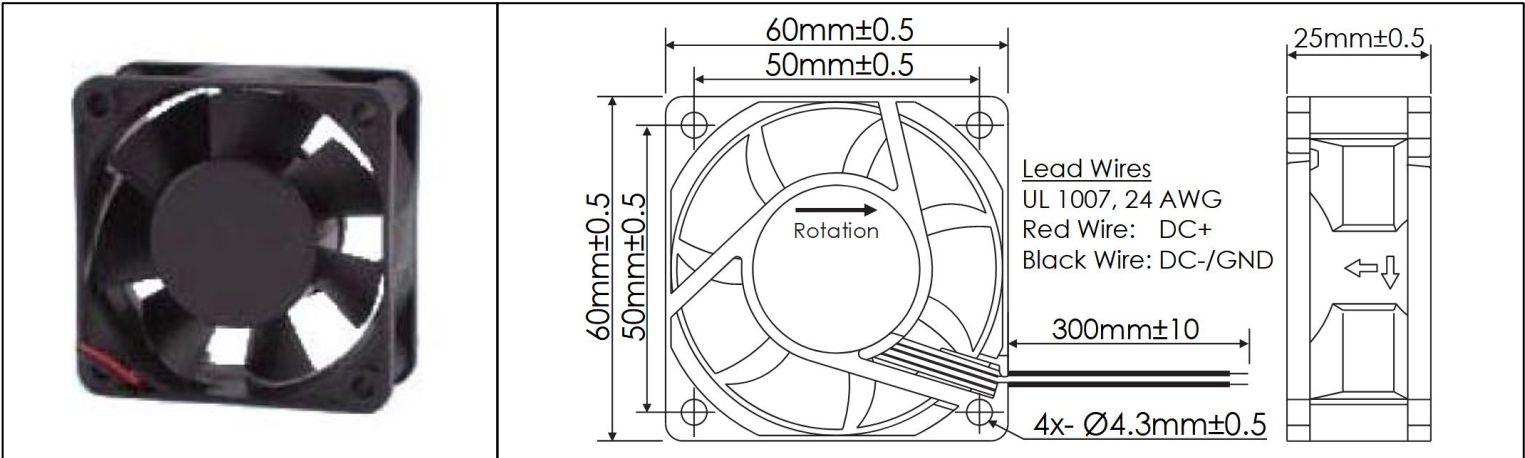


# OD6025 XE Series



DC Fans - 12, 24, 48V  
60mm x 25mm (2.4" x 1.0")



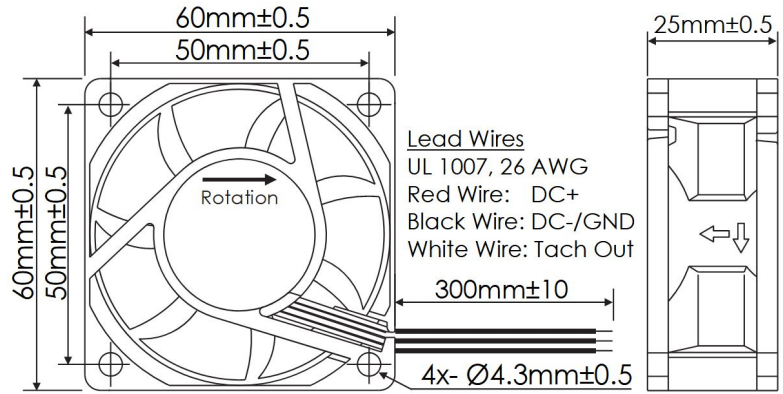
|                              |   |   |  |
|------------------------------|---|---|--|
| <b>Frame</b>                 | PBT, UL94 V-0 Plastic   | <b>Operating Temperature</b><br>-20°C ~ +65°C<br><br><b>Storage Temperature</b><br>-20°C ~ +75°C<br><br><b>Life Expectancy</b><br>70,000 Hours (L10 at 40°C)<br><br><b>Available Options</b><br>Tachometer Output<br>Alarm Output<br>PWM Speed Control Input<br>IP and Salt Fog Ratings<br><br>Weight: 0.14 lbs |  |
| <b>Impeller</b>              | PBT, UL94 V-0 Plastic   |   |  |
| <b>Connection</b>            | 2x Wire Leads, 24 AWG   |   |  |
| <b>Motor</b>                 | Brushless DC, Auto Cutoff, Auto Restart, Polarity Protected, Electronically Protected |   |  |
| <b>Bearing System</b>        | Ball Bearings   |   |  |
| <b>Dielectric Strength</b>   | 500VDC/min, <1mA  |   |  |
| <b>Insulation Resistance</b> | ≥10MΩ @ 500 VDC   |   |  |

| Part Number    | Rated Voltage (Volts DC) | Voltage Range (Volts DC) | Input Power (Watts) | Rated Current (Amps) | Rated Speed (RPM) | Max Airflow (CFM) | Noise Level (dBA) | Max Static Pressure ("H <sub>2</sub> O) |
|----------------|--------------------------|--------------------------|---------------------|----------------------|-------------------|-------------------|-------------------|---|
| OD6025-12HHBXE | 12                       | 8 ~ 13.8                 | 9.2                 | 0.75                 | 8175              | 54                | 65.3              | 0.94                                    |
| OD6025-12HBXE  | 12                       | 8 ~ 13.8                 | 7.2                 | 0.60                 | 7515              | 49                | 63.1              | 0.78                                    |
| OD6025-12MBXE  | 12                       | 8 ~ 13.8                 | 6.1                 | 0.50                 | 6750              | 45                | 56.1              | 0.55                                    |
| OD6025-12LBXE  | 12                       | 8 ~ 13.8                 | 5                   | 0.40                 | 6050              | 40                | 53.2              | 0.43                                    |
| OD6025-24HHBXE | 24                       | 15 ~ 26                  | 9.1                 | 0.35                 | 8175              | 54                | 65.3              | 0.94                                    |
| OD6025-24HBXE  | 24                       | 15 ~ 26                  | 7.2                 | 0.30                 | 7515              | 49                | 63.1              | 0.78                                    |
| OD6025-24MBXE  | 24                       | 15 ~ 26                  | 6.1                 | 0.25                 | 6750              | 45                | 56.1              | 0.55                                    |
| OD6025-24LBXE  | 24                       | 15 ~ 26                  | 5                   | 0.20                 | 6050              | 40                | 53.2              | 0.43                                    |
| OD6025-48HHBXE | 48                       | 28 ~ 52                  | 9.2                 | 0.30                 | 8175              | 54                | 65.3              | 0.94                                    |
| OD6025-48HBXE  | 48                       | 28 ~ 52                  | 7.2                 | 0.20                 | 7515              | 49                | 63.1              | 0.78                                    |
| OD6025-48MBXE  | 48                       | 28 ~ 52                  | 6.1                 | 0.15                 | 6750              | 45                | 56.1              | 0.55                                    |
| OD6025-48LBXE  | 48                       | 28 ~ 52                  | 5.75                | 0.13                 | 6050              | 40                | 53.2              | 0.43                                    |

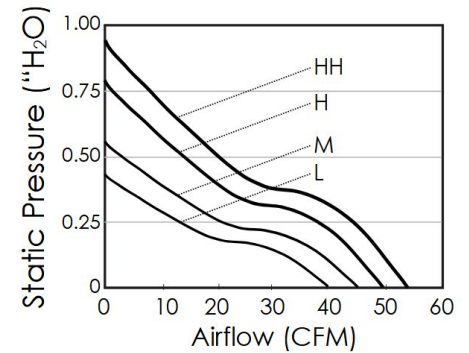
# OD6025 XE Series with Tach



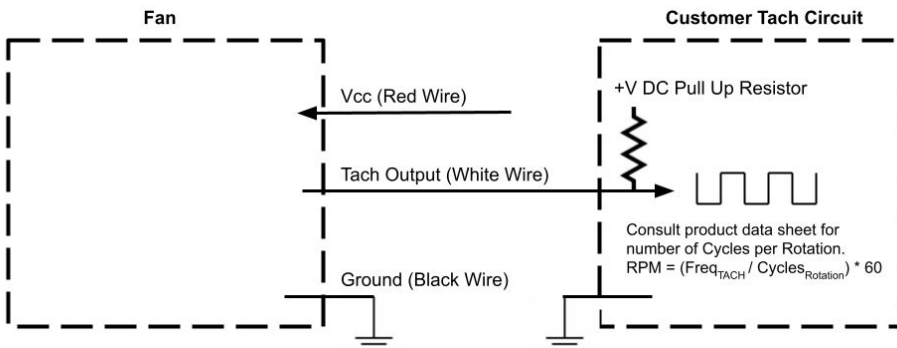
DC Fans - 12, 24, 48V  
60mm x 25mm (2.4" x 1.0")



|                       |   |  |
|-----------------------|---|--|
| Frame                 | PBT, UL94 V-0 Plastic   | <b>Operating Temperature</b><br>-20°C ~ +65°C          |
| Impeller              | PBT, UL94 V-0 Plastic   |  |
| Connection            | 3x Wire Leads, 26 AWG   | <b>Storage Temperature</b><br>-20°C ~ +75°C            |
| Motor                 | Brushless DC, Auto Cutoff, Auto Restart, Polarity Protected, Electronically Protected |  |
| Bearing System        | Ball Bearings   | <b>Life Expectancy</b><br>70,000 Hours (L10 at 40°C)   |
| Dielectric Strength   | 500VDC/min, <1mA  |  |
| Insulation Resistance | ≥10MΩ @ 500 VDC   | <b>Installed Options</b><br>Open Collector Tach Output |
|                       |   | Weight: 0.14 lbs                                       |



| Part Number       | Rated Voltage (Volts DC) | Voltage Range (Volts DC) | Input Power (Watts) | Rated Current (Amps) | Rated Speed (RPM) | Max Airflow (CFM) | Noise Level (dBA) | Max Static Pressure ("H <sub>2</sub> O) |
|-------------------|--------------------------|--------------------------|---------------------|----------------------|-------------------|-------------------|-------------------|---|
| OD6025-12HHBXE01A | 12                       | 8 ~ 13.8                 | 9.2                 | 0.75                 | 8175              | 54                | 65.3              | 0.94                                    |
| OD6025-12HBXE01A  | 12                       | 8 ~ 13.8                 | 7.2                 | 0.60                 | 7515              | 49                | 63.1              | 0.78                                    |
| OD6025-12MBXE01A  | 12                       | 8 ~ 13.8                 | 6.1                 | 0.50                 | 6750              | 45                | 56.1              | 0.55                                    |
| OD6025-12LBXE01A  | 12                       | 8 ~ 13.8                 | 5                   | 0.40                 | 6050              | 40                | 53.2              | 0.43                                    |
| OD6025-24HHBXE01A | 24                       | 15 ~ 26                  | 9.1                 | 0.35                 | 8175              | 54                | 65.3              | 0.94                                    |
| OD6025-24HBXE01A  | 24                       | 15 ~ 26                  | 7.2                 | 0.30                 | 7515              | 49                | 63.1              | 0.78                                    |
| OD6025-24MBXE01A  | 24                       | 15 ~ 26                  | 6.1                 | 0.25                 | 6750              | 45                | 56.1              | 0.55                                    |
| OD6025-24LBXE01A  | 24                       | 15 ~ 26                  | 5                   | 0.20                 | 6050              | 40                | 53.2              | 0.43                                    |
| OD6025-48HHBXE01A | 48                       | 28 ~ 52                  | 9.2                 | 0.30                 | 8175              | 54                | 65.3              | 0.94                                    |
| OD6025-48HBXE01A  | 48                       | 28 ~ 52                  | 7.2                 | 0.20                 | 7515              | 49                | 63.1              | 0.78                                    |
| OD6025-48MBXE01A  | 48                       | 28 ~ 52                  | 6.1                 | 0.15                 | 6750              | 45                | 56.1              | 0.55                                    |
| OD6025-48LBXE01A  | 48                       | 28 ~ 52                  | 5.75                | 0.13                 | 6050              | 40                | 53.2              | 0.43                                    |



Tach Max Pullup Voltage: Fan Vcc  
Tach Max Sink Current: 5mA  
Tach Cycles per Rotation: 2