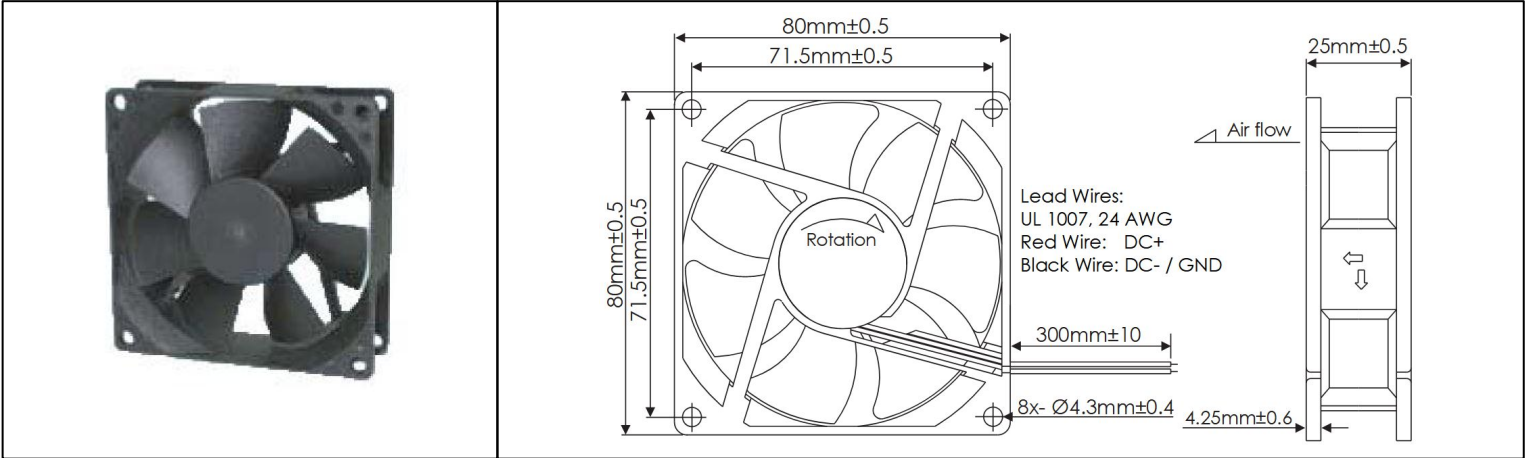


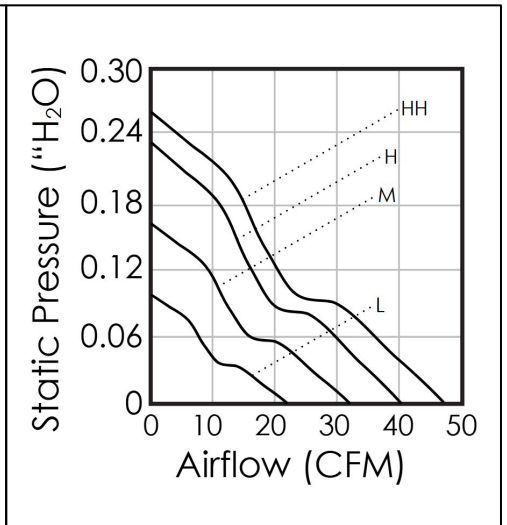
OD8025 IP69K Series



DC Fans - 12, 24, 48V
80mm x 25mm (3.15" x 1.0")



Frame	PBT, UL94 V-0 Plastic	Operating Temperature -20°C ~ +65°C Storage Temperature -20°C ~ +75°C Life Expectancy 60,000 Hours (L10 at 45°C) Available Options Tachometer Output Alarm Output PWM Speed Control Input Other Voltages and Speeds Weight: 0.19 lbs
Impeller	PBT, UL94 V-0 Plastic	
Connection	2x Lead Wires, 24 AWG	
Motor	Brushless DC, Auto Cutoff, Auto Restart, Polarity Protected, Electronically Protected, IP69K	
Bearing System	Ball Bearings	
Dielectric Strength	500VDC/min, <1mA	
Insulation Resistance	≥10MΩ @ 500V DC	



Part Number	Rated Voltage (Volts DC)	Voltage Range (Volts DC)	Input Power (Watts)	Rated Current (Amps)	Rated Speed (RPM)	Max Airflow (CFM)	Noise Level (dBA)	Max Static Pressure ("H ₂ O)
OD8025-12HBIP69K	12	8 ~ 13.8	2.2	0.18	3300	40	33	0.23
OD8025-24HBIP69K	24	14 ~ 26.4	2.9	0.12	3300	40	33	0.23
OD8025-48HBIP69K	48	34 ~ 52.8	3.8	0.08	3300	40	33	0.23