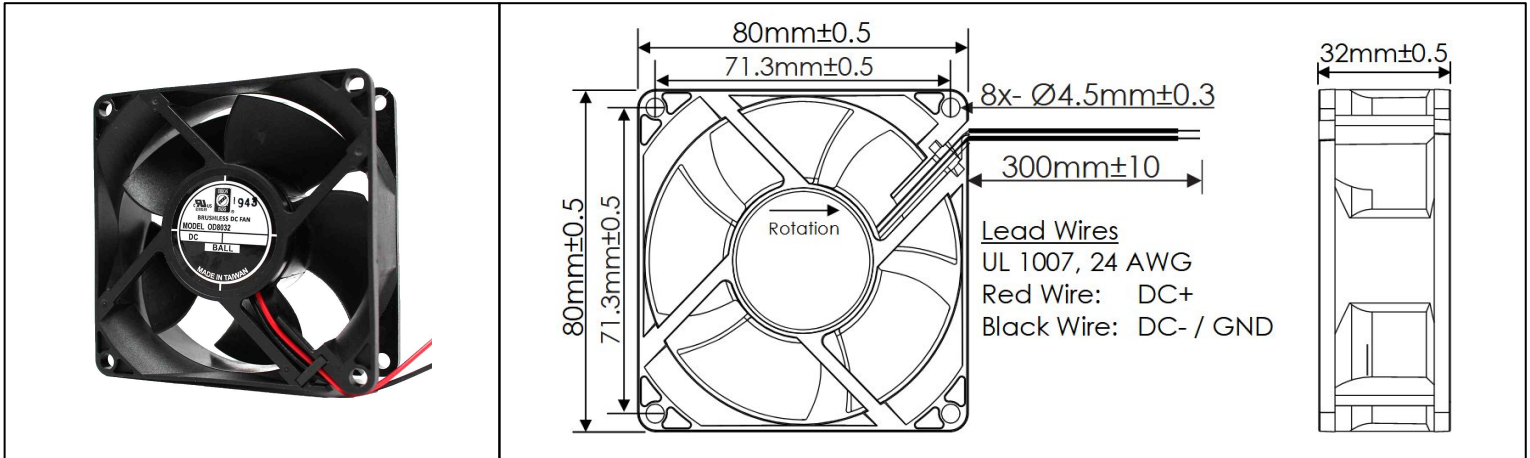


# OD8032 IP Rated Series



DC Fans - 12, 24, 48V  
80mm x 32mm (3.15" x 1.26")



<b>Frame</b>	PBT, UL94 V-0 Plastic	<b>Operating Temperature</b> -20°C ~ +65°C  <b>Storage Temperature</b> -20°C ~ +75°C  <b>Life Expectancy</b> 70,000 Hours (L10 at 40°C)  <b>Installed Options</b> IP Rated Motor  <b>Available Options</b> PWM Speed Control Input Tachometer Output Alarm Output  Weight: 0.26 lbs	
<b>Impeller</b>	PBT, UL94 V-0 Plastic		
<b>Connection</b>	2x Lead Wires, 24 AWG		
<b>Motor</b>	Brushless DC, Auto Cutoff, Auto Restart, Polarity Protected, Electronically Protected, IP68 or IP69K		
<b>Bearing System</b>	Ball Bearings		
<b>Dielectric Strength</b>	500VDC/min, <1mA		
<b>Insulation Resistance</b>	≥10M Ohm @ 500 VDC		

Part Number	Rated Voltage (Volts DC)	Voltage Range (Volts DC)	Input Power (Watts)	Rated Current (Amps)	Rated Speed (RPM)	Max Airflow (CFM)	Noise Level (dBA)	Max Static Pressure ("H <sub>2</sub> O)
OD8032-12HHBIP***	12	10 ~ 13.8	8.4	0.70	6400	83.1	53.0	0.79
OD8032-12HBIP***	12	10 ~ 13.8	7.8	0.65	5900	76.6	50.1	0.73
OD8032-12MBIP***	12	10 ~ 13.8	6.0	0.50	5500	70.8	48.0	0.61
OD8032-12LBIP***	12	10 ~ 13.8	4.8	0.40	4800	61.5	45.4	0.45
OD8032-24HBIP***	24	20 ~ 26.4	9.6	0.40	5900	76.6	50.1	0.73
OD8032-48HBIP***	48	40 ~ 52.0	10.1	0.21	5900	76.6	50.1	0.73

\*\*\* Insert "68" for IP68 Rated Motor, or "69K" for IP69K Rated Motor.