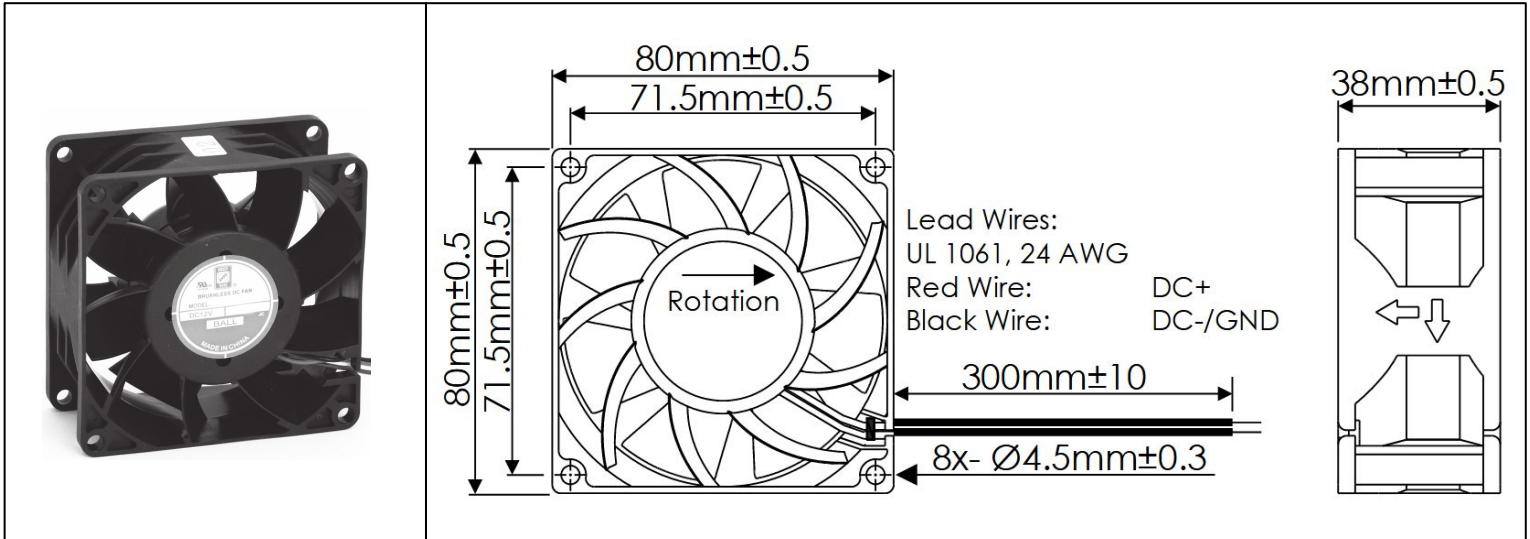


OD8038 VXC Series



DC Fans - 12, 24, 48V
80mm x 38mm (3.15" x 1.5")



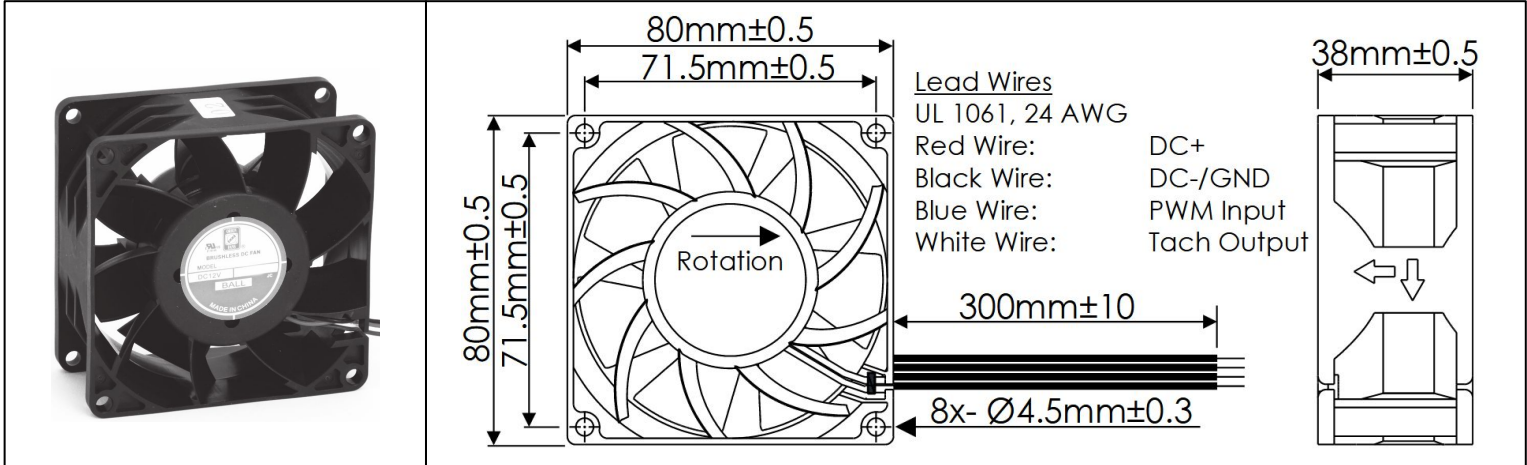
Frame	PBT, UL94 V-0 Plastic	<p><u>Operating Temperature</u> -10°C ~ +70°C</p> <p><u>Storage Temperature</u> -40°C ~ +75°C</p> <p><u>Life Expectancy</u> 70,000 Hours (L10 at 40°C)</p> <p><u>Available Options</u> PWM Speed Control Input Tachometer Output Alarm Output IP Ratings</p> <p>Weight: 0.48 lbs.</p>	
Impeller	PBT, UL94 V-0 Plastic		
Connection	2x Wire Leads, 24 AWG		
Motor	Brushless DC, Auto Cutoff, Auto Restart, Electronically Protected, Polarity Protected		
Bearing System	Ball Bearings		
Dielectric Strength	500VDC/min, <1mA		
Insulation Resistance	≥10M Ohm @500 VDC		

Part Number	Rated Voltage (Volts DC)	Voltage Range (Volts DC)	Input Power (Watts)	Rated Current (Amps)	Rated Speed (RPM)	Max Airflow (CFM)	Noise Level (dBA)	Max Static Pressure (inches H ₂ O)
OD8038-12HBVXC	12	11 ~ 13.8	18.0	1.50	6200	89	62.5	0.75
OD8038-12MBVXC	12	11 ~ 13.8	14.4	1.20	5500	76	58.6	0.59
OD8038-12LBVXC	12	11 ~ 13.8	9.6	0.80	4800	65	56.4	0.45
OD8038-24HBVXC	24	22 ~ 25	15.6	0.65	6200	89	62.5	0.75
OD8038-24MBVXC	24	22 ~ 25	12.5	0.52	5500	76	58.6	0.59
OD8038-24LBVXC	24	22 ~ 25	9.0	0.40	4800	65	56.4	0.45
OD8038-48HBVXC	48	45 ~ 50	17.3	0.36	6200	89	62.5	0.75
OD8038-48MBVXC	48	45 ~ 50	14.4	0.30	5500	76	58.6	0.59
OD8038-48LBVXC	48	45 ~ 50	10.6	0.22	4800	65	56.4	0.45

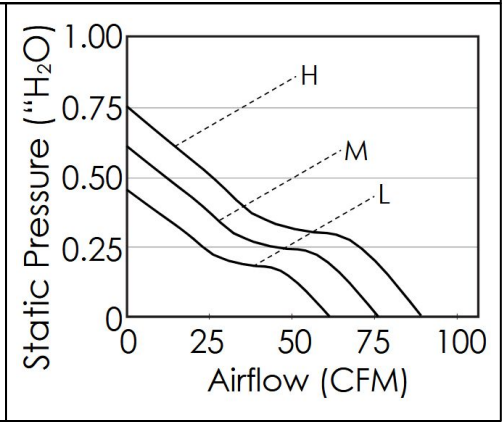
OD8038 VXC Series with PWM and Tach



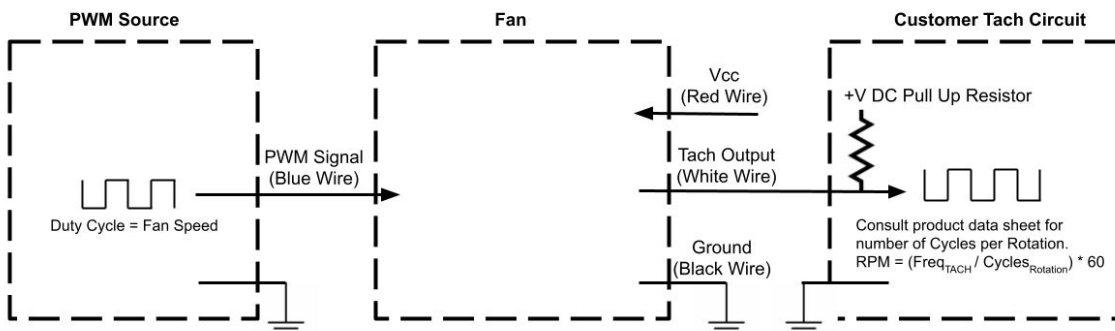
DC Fans - 12, 24, 48V
80mm x 38mm (3.15" x 1.5")



Frame	PBT, UL94 V-0 Plastic	Operating Temperature -10°C ~ +70°C
Impeller	PBT, UL94 V-0 Plastic	
Connection	4x Wire Leads, 24 AWG	Storage Temperature -40°C ~ +75°C
Motor	Brushless DC, Auto Cutoff, Auto Restart, Electronically Protected, Polarity Protected	
Bearing System	Ball Bearings	Life Expectancy 70,000 Hours (L10 at 40°C)
Dielectric Strength	500VDC/min, <1mA	
Insulation Resistance	≥10M Ohm @500 VDC	
		Installed Options PWM Speed Control Input Open Collector Tach Output
		Weight: 0.48 lbs.



Part Number	Rated Voltage (Volts DC)	Voltage Range (Volts DC)	Input Power (Watts)	Rated Current (Amps)	Rated Speed (RPM)	Max Airflow (CFM)	Noise Level (dBA)	Max Static Pressure (\"H ₂ O)
OD8038-12HBVXC10A	12	11 ~ 13.8	18.0	1.50	6200	89	62.5	0.75
OD8038-12MBVXC10A	12	11 ~ 13.8	14.4	1.20	5500	76	58.6	0.59
OD8038-12LBVXC10A	12	11 ~ 13.8	9.6	0.80	4800	65	56.4	0.45
OD8038-24HBVXC10A	24	22 ~ 25	15.6	0.65	6200	89	62.5	0.75
OD8038-24MBVXC10A	24	22 ~ 25	12.5	0.52	5500	76	58.6	0.59
OD8038-24LBVXC10A	24	22 ~ 25	9.0	0.40	4800	65	56.4	0.45
OD8038-48HBVXC10A	48	45 ~ 50	17.3	0.36	6200	89	62.5	0.75
OD8038-48MBVXC10A	48	45 ~ 50	14.4	0.30	5500	76	58.6	0.59
OD8038-48LBVXC10A	48	45 ~ 50	10.6	0.22	4800	65	56.4	0.45



Tach Max Pullup Voltage: Fan Vcc
 Tach Max Sink Current: 5mA
 Tach Cycles per Rotation: 2
 PWM Max High Voltage: 5V
 PWM Max Sink Current: 5mA
 PWM Frequency Range: 18KHz-30KHz
 PWM Typical Frequency: 25KHz
 RPM at 0% Duty Cycle: 25% RPM
 RPM will be full speed if PWM input is disconnected.