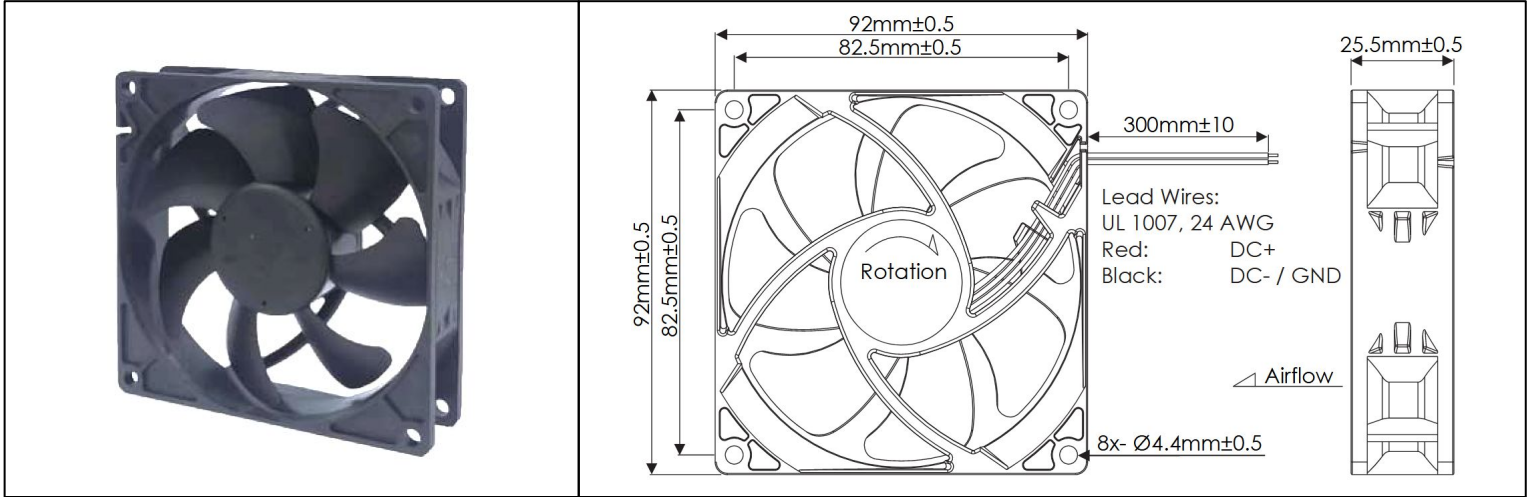


# OD9225 XE Series



DC Fans - 12, 24, 48V  
92mm x 25mm (3.6" x 1.0")



<b>Frame</b>	PBT, UL94 V-0 Plastic	<b>Operating Temperature</b> -20°C ~ +65°C	<b>Storage Temperature</b> -20°C ~ +75°C  <b>Life Expectancy</b> 70,000 Hours (L10 at 40°C)  <b>Available Options</b> Tachometer Output Alarm Output PWM Speed Control Input IP Ratings  Weight: 0.18 lbs
<b>Impeller</b>	PBT, UL94 V-0 Plastic		
<b>Connection</b>	2x Lead Wires, 24 AWG		
<b>Motor</b>	Brushless DC, Auto Cutoff, Auto Restart, Polarity Protected, Electronically Protected		
<b>Bearing System</b>	Ball Bearings		
<b>Dielectric Strength</b>	500VDC/min, <1mA		
<b>Insulation Resistance</b>	≥10MΩ @ 500V DC		

Part Number	Rated Voltage (Volts DC)	Voltage Range (Volts DC)	Input Power (Watts)	Rated Current (Amps)	Rated Speed (RPM)	Max Airflow (CFM)	Noise Level (dBA)	Max Static Pressure ("H <sub>2</sub> O)
OD9225-12HHBXE	12 VDC	8 ~ 13.8	10.3	0.85	5475	102.7	55.2	0.58"
OD9225-12HBXE	12 VDC	8 ~ 13.8	8.4	0.70	5000	93.8	53	0.47"
OD9225-12MBXE	12 VDC	8 ~ 13.8	5.5	0.45	4490	84.6	50.2	0.40"
OD9225-12LBXE	12 VDC	8 ~ 13.8	4.3	0.35	4000	75.7	48.0	0.31"
OD9225-24HHBXE	24 VDC	15 ~ 26	10.3	0.43	5475	102.7	55.2	0.58"
OD9225-24HBXE	24 VDC	15 ~ 26	8.4	0.35	5000	93.8	53	0.47"
OD9225-24MBXE	24 VDC	15 ~ 26	5.5	0.23	4490	84.6	50.2	0.40"
OD9225-24LBXE	24 VDC	15 ~ 26	4.4	0.19	4000	75.7	48.0	0.31"
OD9225-48HHBXE	48 VDC	28 ~ 52	10.2	0.20	5475	102.7	55.2	0.58"
OD9225-48HBXE	48 VDC	28 ~ 52	8.1	0.15	5000	93.8	53	0.47"
OD9225-48MBXE	48 VDC	28 ~ 52	5.3	0.10	4490	84.6	50.2	0.40"
OD9225-48LBXE	48 VDC	28 ~ 52	4.0	0.06	4000	75.7	48.0	0.31"