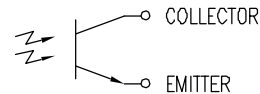
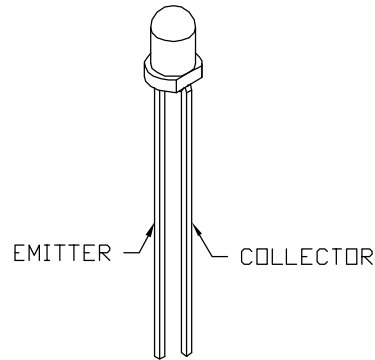
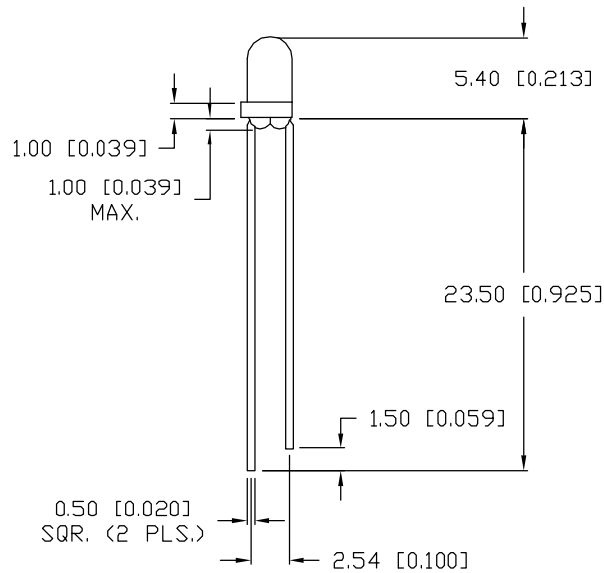
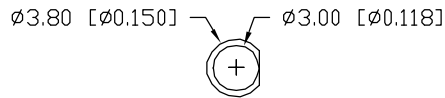


UNCONTROLLED DOCUMENT

PART NUMBER  
OED-ST-8LR2

REV.  
C



REV.	E.C.N. NUMBER AND REVISION COMMENTS	DATE
A	E.C.N. #10BRDR.	1.5.98
B	E.C.N. #10BRDR. & REDRAWN IN 3D.	5.30.03
C	E.C.N. #11560.	03.13.09

ELECTRO-OPTICAL CHARACTERISTICS  $T_A=25^\circ\text{C}$

PARAMETER	MIN	TYP	MAX	UNITS	TEST COND
<input checked="" type="checkbox"/> SPECTRAL SENSITIVITY	700	940	1050	nm	
C/E BREAKDOWN VOLTAGE	30			V	$I_c=100\mu\text{A}$ $E_e=0.0\text{ mW/cm}^2$
E/C BREAKDOWN VOLTAGE	5			V	$I_c=100\mu\text{A}$ $E_e=0.0\text{ mW/cm}^2$
C/E SATURATION VOLTAGE			0.4	V	$I_c=2\text{ mA}$ $E_e=20\text{ mW/cm}^2$
COLLECTOR DARK CURRENT			100	nA	$V_{ce}=10\text{ V}$ $E_e=0.0\text{ mW/cm}^2$
<input checked="" type="checkbox"/> COLLECTOR ON CURRENT	0.7	2.0	5.07	mA	$V_{ce}=5\text{ V}$ $E_e=1.0\text{ mW/cm}^2$
<input checked="" type="checkbox"/> SWITCHING TIME		15		$\mu\text{S}$	$I_c=1\text{ mA}$ $V_{ce}=5\text{ V}, R_l=1000\Omega$

EPOXY FINISH: WATER CLEAR

LIMITS OF SAFE OPERATION AT  $25^\circ\text{C}$

PARAMETER	MAX	UNITS
C/E BREAKDOWN VOLTAGE	30	V
E/C BREAKDOWN VOLTAGE	5	V
<input checked="" type="checkbox"/> POWER DISSIPATION	75	mW
<input checked="" type="checkbox"/> OPERATING TEMP.	-25 TO +85	$^\circ\text{C}$
<input checked="" type="checkbox"/> STORAGE TEMP.	-40 TO +85	$^\circ\text{C}$
SOLDERING TEMP.	+260	$^\circ\text{C}$
2.0mm FROM BODY		3 SEC. MAX

\*UNLESS OTHERWISE SPECIFIED TOLERANCES PER DECIMAL PRECISION ARE: X=±1 (±0.039), X.X=±0.5 (±0.020), X.XX=±0.25 (±0.010), X.XXX=±0.127 (±0.005). LEAD SIZE=±0.05 (±0.002), LEAD LENGTH=±0.75 (±0.030). MIN.= +DECIMAL PRECISION MAX.= +0.00 -DECIMAL PRECISION

UNCONTROLLED DOCUMENT



REV. C	PART NUMBER OED-ST-8LR2
3mm PHOTO TRANSISTOR, WATER CLEAR LENS.	

**CONFIDENTIAL INFORMATION**  
THE INFORMATION CONTAINED IN THIS DOCUMENT IS THE PROPERTY OF LUMEX INC. EXCEPT AS SPECIFICALLY AUTHORIZED IN WRITING BY LUMEX INC., THE HOLDER OF THIS DOCUMENT SHALL KEEP ALL INFORMATION CONTAINED HEREIN CONFIDENTIAL AND SHALL PROTECT SAME IN WHOLE OR IN PART FROM DISCLOSURE AND DISSEMINATION TO ALL THIRD PARTIES.

**RELIABILITY NOTE**  
OUR MANY YEARS OF EXPERIENCE DATA ACCUMULATION INDICATE THAT SOLDER HEAT IS A MAJOR CAUSE OF EARLY AND FUTURE FAILURE. PLEASE PAY ATTENTION TO YOUR SOLDERING PROCESS.

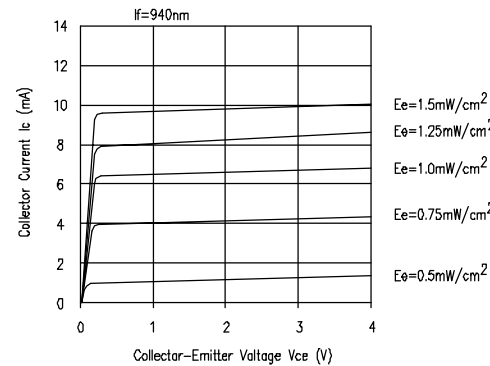
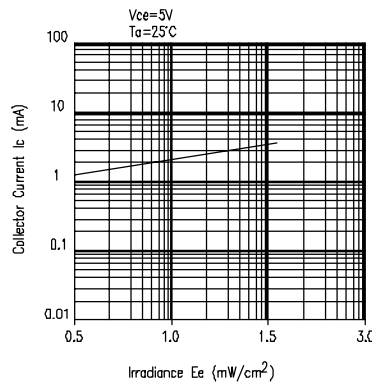
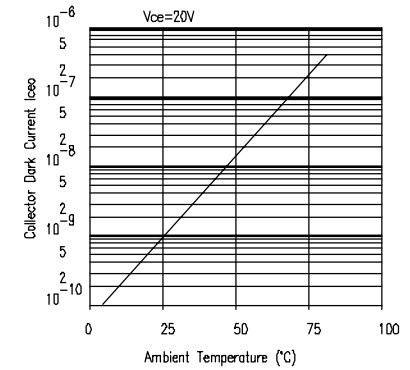
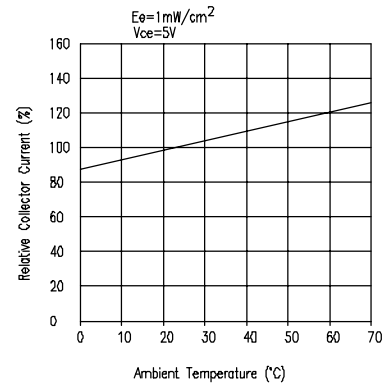
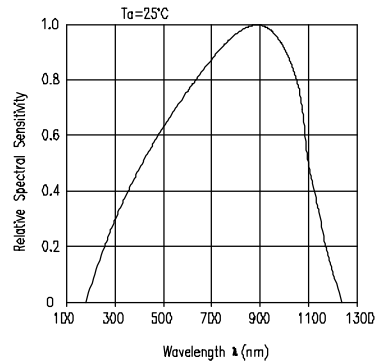
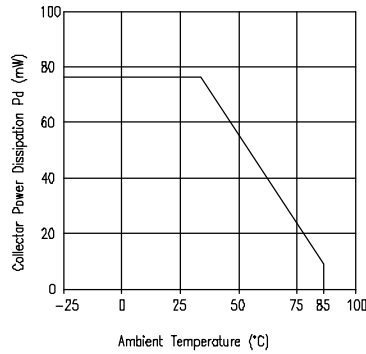


290 E. HELEN ROAD  
PALATINE, IL 60067-6976  
PHONE: +1.847.359.2790  
US WEB: www.lumex.com  
TW WEB: www.lumex.com.tw

A  
 B

DRAWN BY: BC	CHECKED BY:	APPROVED BY:	DATE: 10.4.90
			PAGE: 1 OF 1
			SCALE: N/A

REV.	E.C.N. NUMBER AND REVISION COMMENTS	DATE
	SEE PAGE 1.	



\*UNLESS OTHERWISE SPECIFIED TOLERANCES PER DECIMAL PRECISION ARE: X=±1 (±0.039), X.X=±0.5 (±0.020), X.XX=±0.25 (±0.010), X.XXX=±0.127 (±0.005). LEAD SIZE=±0.05 (±0.002), LEAD LENGTH=±0.75 (±0.030). MIN= +DECIMAL PRECISION MAX.= +0.00 -DECIMAL PRECISION

REV. C	PART NUMBER OED-ST-8LR2
3mm PHOTO TRANSISTOR, WATER CLEAR LENS.	

**CONFIDENTIAL INFORMATION**  
THE INFORMATION CONTAINED IN THIS DOCUMENT IS THE PROPERTY OF LUMEX INC. EXCEPT AS SPECIFICALLY AUTHORIZED IN WRITING BY LUMEX INC., THE HOLDER OF THIS DOCUMENT SHALL KEEP ALL INFORMATION CONTAINED HEREIN CONFIDENTIAL AND SHALL PROTECT SAME IN WHOLE OR IN PART FROM DISCLOSURE AND DISSEMINATION TO ALL THIRD PARTIES.

**RELIABILITY NOTE**  
OUR MANY YEARS OF EXPERIENCE DATA ACCUMULATION INDICATE THAT SOLDER HEAT IS A MAJOR CAUSE OF EARLY AND FUTURE FAILURE. PLEASE PAY ATTENTION TO YOUR SOLDERING PROCESS.



290 E. HELEN ROAD  
PALATINE, IL 60067-6976  
PHONE: +1.847.359.2790  
US WEB: www.lumex.com  
TW WEB: www.lumex.com.tw

DRAWN BY: BC	CHECKED BY:	APPROVED BY:	DATE: 10.4.90
			PAGE: 2 OF 2
			SCALE: N/A