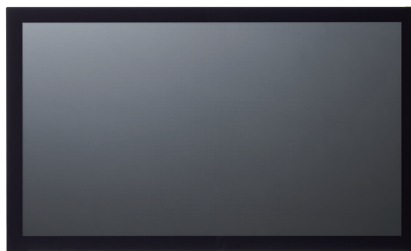


OM Series

Open-Frame Industrial Touch Monitor



Features

- 10.1"/15.6"/18.5"/21.5"/23.8"/27"/32"/43" 16:9 LCD panel with LED backlight with up to 50,000 service life
- 10-point PCAP touchscreen
- Anti-fingerprint surface treatment for ease of cleaning and enhanced readability
- Wide viewing angles support for both portrait and landscape modes
- IP rating for water and dust protection
- Ease for deployment (support wall/panel/VESA mount)

Ordering Information

- OM-101
10.1" Open-frame industrial touch monitor
- OM-156
15.6" Open-frame industrial touch monitor
- OM-185
18.5" Open-frame industrial touch monitor
- OM-215
21.5" Open-frame industrial touch monitor
- OM-238
23.8" Open-frame industrial touch monitor
- OM-270
27.0" Open-frame industrial touch monitor
- OM-320
32.0" Open-frame industrial touch monitor
- OM-430
43.0" Open-frame industrial touch monitor

Optional Accessories

- Adapter
12V 60W power adapter
- Mounting kit (panel mount)

Specifications

| Model Name | OM-101 | OM-156 | OM-185 | OM-215 | OM-238 | OM-270 |
|-----------------------------------|--|------------------|------------------|------------------|-----------------|-----------------|
| Display | | | | | | |
| Size | 10.1" | 15.6" | 18.5" | 21.5" | 23.8" | 27" |
| Resolution | 1280 x 800 | 1920 x 1080 | | | | |
| Aspect Ratio | 16:9 | | | | | |
| Color | 16.7M | | | | | |
| Brightness (w/ touch) | 400 nits | | | | 200 nits | 240 nits |
| Backlight Life (Hrs) | 50,000 | | | 30,000 | | 40,000 |
| Viewing Angle (U/D/R/L) | 89/89/89/89 | | | | 85/85/85/85 | |
| Contrast Ratio | 800:1 | 1000:1 | | | 3000:1 | |
| Touchscreen | 10-point, PCAP, Anti-fingerprint coating | | | | | |
| Bonding | Air bonding | | | | | |
| I/O | | | | | | |
| USB Port | USB type B (for touch) | | | | | |
| Video | HDMI x1, VGA x1 | | | | | |
| Audio | w/o Audio | | | | | |
| Environmental | | | | | | |
| Operating Temperature | -20°C to 70°C | 0°C to 70°C | 0°C to 60°C | 0°C to 50°C | | |
| Storage Temperature | -20°C to 70°C | | | -20°C to 60°C | | |
| Humidity | 10% to 80% @ 40°C (non-condensing) | | | | | |
| Surface Hardness | 7H | | | | | |
| Vibration | Operating: 1G random 5 to 500Hz | | | | | |
| Shock | Operating: 20G acceleration part to part, 11ms | | | | | |
| IP Rating | Front IP65 | | | | | |
| Power Input | DC-12V 5A Max. | | | | | |
| Power Consumption | 5.7 W | 13.9 W | 20 W | 25.4 W | 17.5 W | 21.5 W |
| Mechanical | | | | | | |
| Net Weight/ Gross Weight | 1.6 kgs /2.1 kgs | 2.9 kgs /3.6 kgs | 4.2 kgs /5.2 kgs | 4.8 kgs /6.0 kgs | 6.2kg /7.2kg | 7.5kg /8.0kg |
| Packing Dimensions (H x W x D) | 330 x 320 x 180 | 490 x 380 x 190 | 430 x 610 x 160 | 640 x 480 x 160 | 695 x 488 x 175 | 775 x 538 x 180 |
| Mounting | VESA Mount (MIS-D 75mm x 75mm, 100mm x 100mm) Panel, and Wall mount | | | | | |

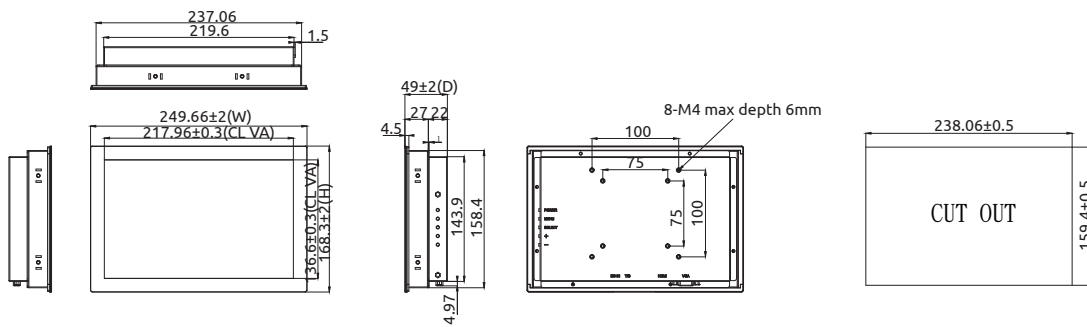
Specifications



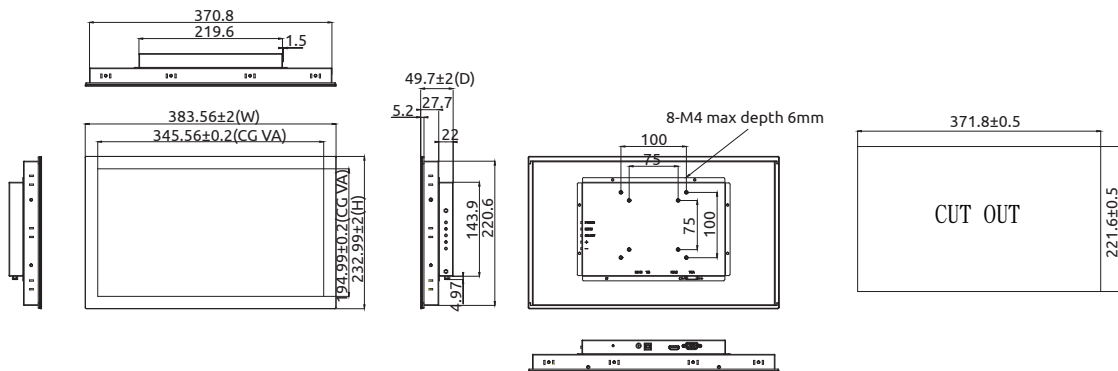
| Model Name | OM-320 | OM-430 |
|--------------------------------|---|--|
| Display | | |
| Size | 32" | 43" |
| Resolution | 1920 x 1080 | |
| Aspect Ratio | 16:9 | |
| Color | 16.7M | |
| Brightness (w/ touch) | 400 nits | |
| Backlight Life (Hrs) | 50,000 | |
| Viewing Angle (U/D/R/L) | 89/89/89/89 | |
| Contrast Ratio | 4000:1 | |
| Touchscreen | 10-point, PCAP, Anti-fingerprint coating | |
| Bonding | Air bonding | |
| I/O | | |
| USB Port | USB type B (for touch) | |
| Video | HDMI x1, VGA x1, DVI x1, DP 1.2 x1 | |
| Audio | w/o Audio | |
| Environmental | | |
| Operating Temperature | 0°C to 40°C | |
| Storage Temperature | -20°C to 60°C | |
| Humidity | 10% to 90% (non-condensing) | |
| Surface Hardness | ≥6H | |
| Vibration | Operating: 1.5G random 10 to 200Hz | |
| Shock | NA | |
| IP Rating | Front IP65 | |
| Power Input | DC-24V 5A Max. | |
| Power Consumption | 38.4 W | 50.4 W |
| Mechanical | | |
| Net Weight/ Gross Weight | 14.2kg | 23.5kg |
| Packing Dimensions (H x W x D) | 630 x 920 x 160 | 800 x 1200 x 220 |
| Mounting | VESA Mount 200 x 200 mm (M6), M4 Rear mount x 12 | 200 x 200 mm (M6) M4 Rear mount x 8 |

Dimensions

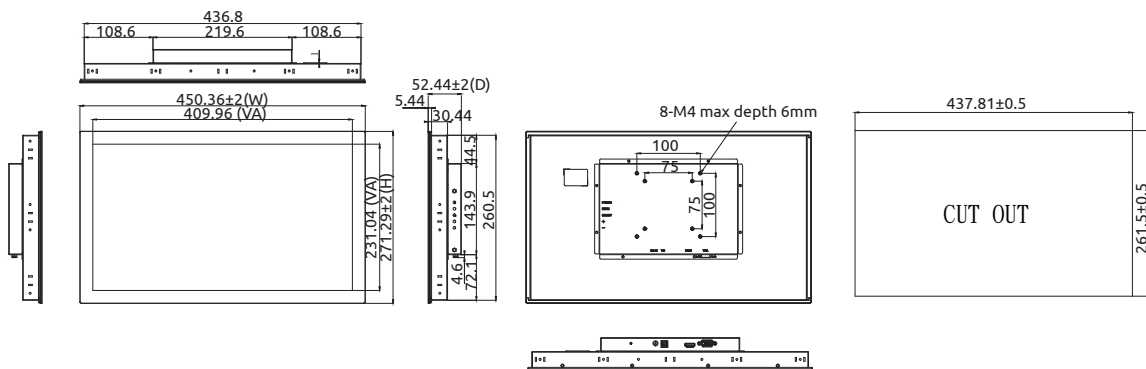
OM-101



OM-156

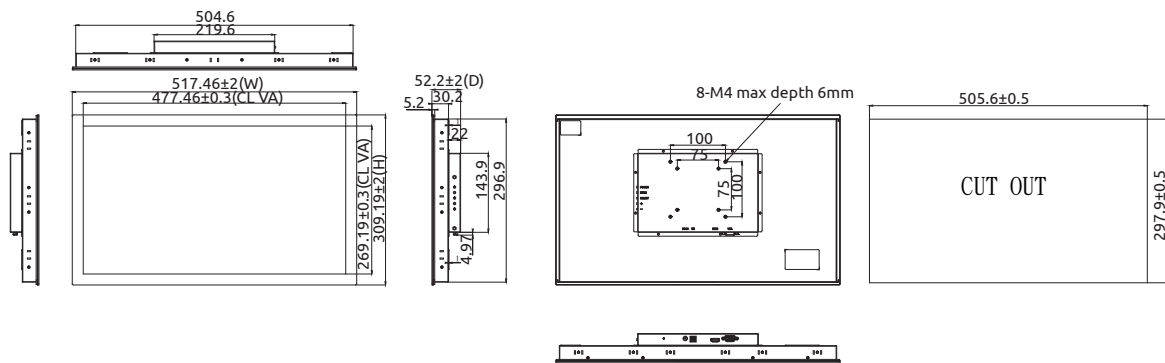


OM-185

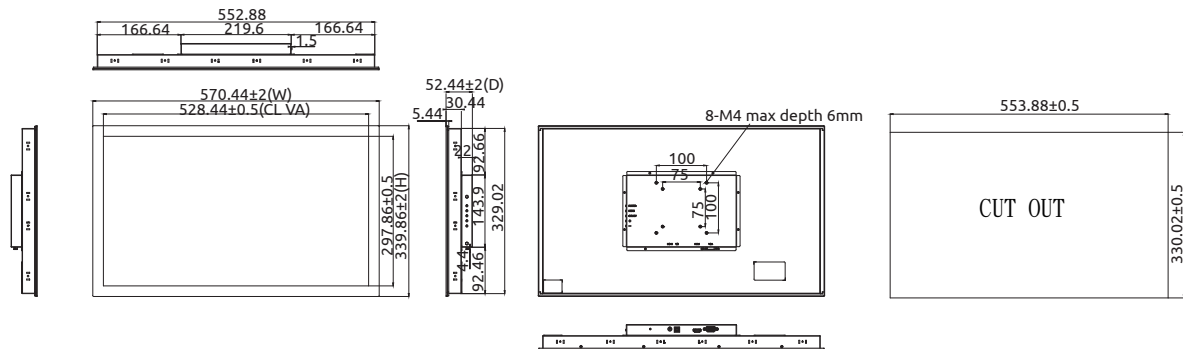


Dimensions

OM-215



OM-238



OM-270

