

UM10707

NVT4555 evaluation board OM13480

Rev. 1 — 10 July 2013

User manual

Document information

Info	Content
Keywords	NVT4555UK, OM13480, SIM card, voltage translator, level translator, ETSI, IMT-2000, ISO7816, evaluation board, demonstration board
Abstract	The NVT4555 is used in SIM card voltage level translation applications for SIM I/O buses with incompatible logic levels to the host processor.



Revision history

Rev	Date	Description
v.1	20130710	user manual; initial release

Contact information

For more information, please visit: <http://www.nxp.com>

For sales office addresses, please send an email to: salesaddresses@nxp.com

1. Introduction

The NVT4555UK evaluation board (OM13480) is built for interfacing a SIM card socket to a single-voltage host-side interface. The NVT4555 contains one voltage select pin (CTRL) to select either 1.8 V or 2.95 V for SIM card power supply, and one active HIGH enable pin (EN) to enable normal operation. The data, clock and reset paths can operate beyond 5 MHz. The I/O channel is bidirectional, while the reset and clock are unidirectional. The NVT4555 is compliant with all ETSI, IMT-2000 and ISO-7816 SIM/Smart card interface requirements.

Refer to NVT4555 data sheet ([Ref. 1](#)) for more detailed information.

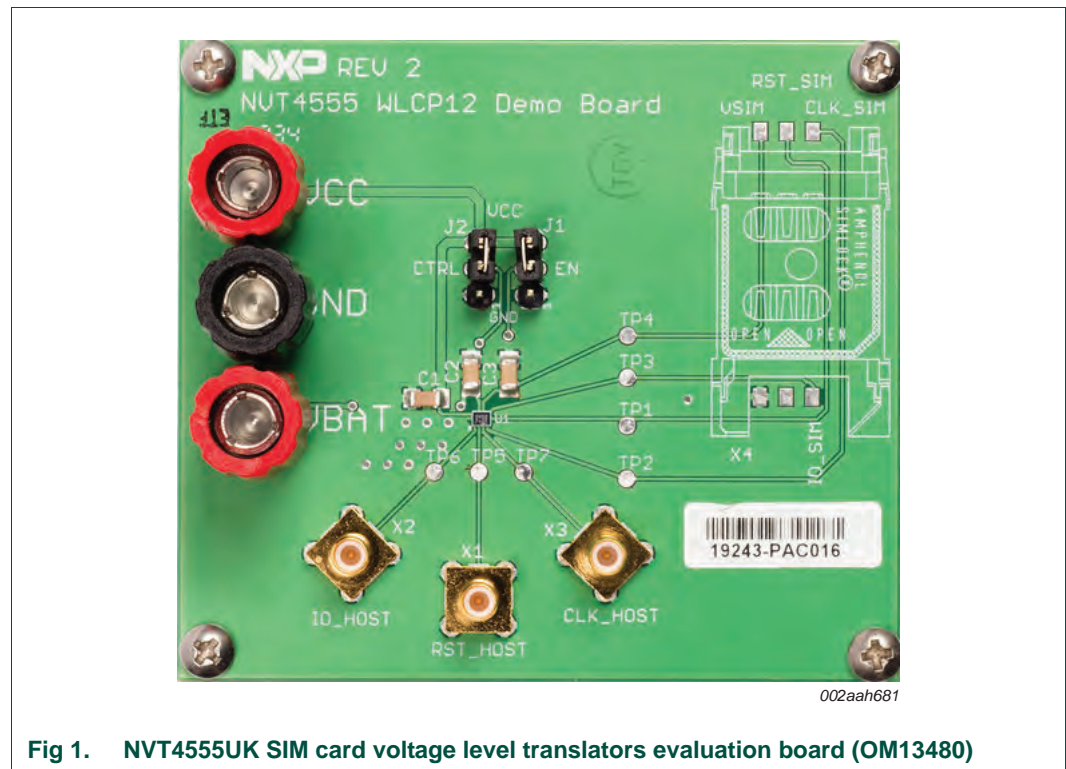


Fig 1. NVT4555UK SIM card voltage level translators evaluation board (OM13480)

2. Hardware description

2.1 Schematic

The NVT4555UK evaluation board was intended for operation as a stand-alone part or as part of the system. Proper voltages must be supplied at the connectors for V_{CC} , V_{BAT} and GND. The following notes are comments generated so that a better understanding of the evaluation board can be achieved.

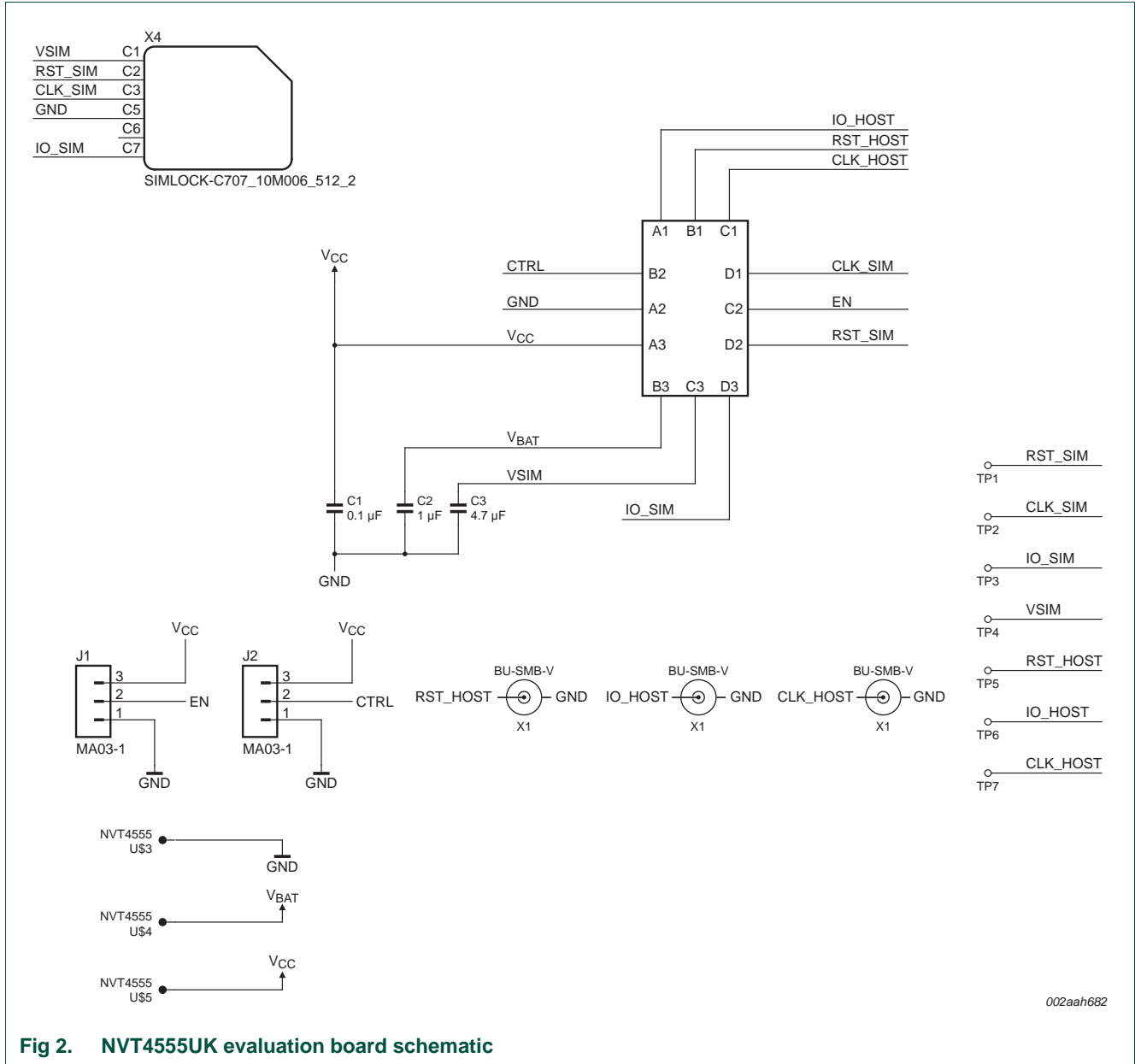


Fig 2. NVT4555UK evaluation board schematic

2.2 Bill of materials

Table 1. NVT4555UK (OM13480) evaluation board bill of materials

Device	Component	Manufacturer	Notes
U1	NVT4555UK	NXP	Supply voltage for the host controller side input/output pins (CLK_HOST, RST_HOST, IO_HOST). This pin is bypassed with a 0.1 μ F ceramic capacitor.
C1	GRM155R70J104KAO1D	Murata	Host voltage supply bypass capacitor, 0.1 μ F ceramic capacitor.
C2	GRM155R70J105KA12D	Murata	Battery voltage supply bypass capacitor, 1.0 μ F ceramic capacitor.
C3	GRM155R60J475ME47	Murata	SIM voltage supply bypass capacitor, 4.7 μ F ceramic capacitor.

2.3 Jumper and header functions

The functions of the jumpers and headers on these evaluation boards are shown in [Table 2](#).

Table 2. Header descriptions for NVT4555UK (OM13480) evaluation board

Jumper/header	Function	Notes
VCC	Host processor I/O supply voltage input	Supply voltage for the host controller side input/output pins (CLK_HOST, RST_HOST, IO_HOST). This pin is bypassed with a 0.1 μ F ceramic capacitor.
GND	System GND	Ground for the SIM card and host controller.
VBAT	Battery input	Battery voltage supply for internal LDO. This pin is bypassed with a 1.0 μ F ceramic capacitor.
J1 (3-pin)	Device switch enable or disable control	Pins 2-3 shorted: enables NVT4555 device (default). Pins 1-2 shorted: disables the device
J2 (2-pin)	Device switch 1.8 V or 2.95 V LDO output voltage control	Pins 2-3 shorted: 2.95 V to VSIM (default). Pins 1-2 shorted: 1.8 V to VSIM.
X1	SMC connector for RST_HOST	This connector can be used to connect a host processor to the evaluation board for use in translating the RST signal to the SIM card. This I/O can support speeds greater than 5 MHz.
X2	SMC connector for IO_HOST	This connector can be used to connect a host processor to the evaluation board for use in translating the I/O signal to and from the SIM card. This I/O can support speeds greater than 5 MHz.
X3	SMC connector for SIM_HOST	This connector can be used to connect a host processor to the evaluation board for use in translating the SIM signal to the SIM card. This I/O can support speeds greater than 5 MHz.
X4	SIM card slot	This adapter socket can be populated for a SIM card on the board for user evaluation.

3. Abbreviations

Table 3. Abbreviations

Acronym	Description
I/O	Input/Output
LDO	Low-DropOut regulator

4. References

- [1] **NVT4555**, “SIM card interface level translator and supply voltage LDO” — Product data sheet; NXP Semiconductors

5. Legal information

5.1 Definitions

Draft — The document is a draft version only. The content is still under internal review and subject to formal approval, which may result in modifications or additions. NXP Semiconductors does not give any representations or warranties as to the accuracy or completeness of information included herein and shall have no liability for the consequences of use of such information.

5.2 Disclaimers

Limited warranty and liability — Information in this document is believed to be accurate and reliable. However, NXP Semiconductors does not give any representations or warranties, expressed or implied, as to the accuracy or completeness of such information and shall have no liability for the consequences of use of such information. NXP Semiconductors takes no responsibility for the content in this document if provided by an information source outside of NXP Semiconductors.

In no event shall NXP Semiconductors be liable for any indirect, incidental, punitive, special or consequential damages (including - without limitation - lost profits, lost savings, business interruption, costs related to the removal or replacement of any products or rework charges) whether or not such damages are based on tort (including negligence), warranty, breach of contract or any other legal theory.

Notwithstanding any damages that customer might incur for any reason whatsoever, NXP Semiconductors' aggregate and cumulative liability towards customer for the products described herein shall be limited in accordance with the *Terms and conditions of commercial sale* of NXP Semiconductors.

Right to make changes — NXP Semiconductors reserves the right to make changes to information published in this document, including without limitation specifications and product descriptions, at any time and without notice. This document supersedes and replaces all information supplied prior to the publication hereof.

Suitability for use — NXP Semiconductors products are not designed, authorized or warranted to be suitable for use in life support, life-critical or safety-critical systems or equipment, nor in applications where failure or malfunction of an NXP Semiconductors product can reasonably be expected to result in personal injury, death or severe property or environmental damage. NXP Semiconductors and its suppliers accept no liability for inclusion and/or use of NXP Semiconductors products in such equipment or applications and therefore such inclusion and/or use is at the customer's own risk.

Applications — Applications that are described herein for any of these products are for illustrative purposes only. NXP Semiconductors makes no representation or warranty that such applications will be suitable for the specified use without further testing or modification.

Customers are responsible for the design and operation of their applications and products using NXP Semiconductors products, and NXP Semiconductors accepts no liability for any assistance with applications or customer product

design. It is customer's sole responsibility to determine whether the NXP Semiconductors product is suitable and fit for the customer's applications and products planned, as well as for the planned application and use of customer's third party customer(s). Customers should provide appropriate design and operating safeguards to minimize the risks associated with their applications and products.

NXP Semiconductors does not accept any liability related to any default, damage, costs or problem which is based on any weakness or default in the customer's applications or products, or the application or use by customer's third party customer(s). Customer is responsible for doing all necessary testing for the customer's applications and products using NXP Semiconductors products in order to avoid a default of the applications and the products or of the application or use by customer's third party customer(s). NXP does not accept any liability in this respect.

Export control — This document as well as the item(s) described herein may be subject to export control regulations. Export might require a prior authorization from competent authorities.

Evaluation products — This product is provided on an "as is" and "with all faults" basis for evaluation purposes only. NXP Semiconductors, its affiliates and their suppliers expressly disclaim all warranties, whether express, implied or statutory, including but not limited to the implied warranties of non-infringement, merchantability and fitness for a particular purpose. The entire risk as to the quality, or arising out of the use or performance, of this product remains with customer.

In no event shall NXP Semiconductors, its affiliates or their suppliers be liable to customer for any special, indirect, consequential, punitive or incidental damages (including without limitation damages for loss of business, business interruption, loss of use, loss of data or information, and the like) arising out of the use of or inability to use the product, whether or not based on tort (including negligence), strict liability, breach of contract, breach of warranty or any other theory, even if advised of the possibility of such damages.

Notwithstanding any damages that customer might incur for any reason whatsoever (including without limitation, all damages referenced above and all direct or general damages), the entire liability of NXP Semiconductors, its affiliates and their suppliers and customer's exclusive remedy for all of the foregoing shall be limited to actual damages incurred by customer based on reasonable reliance up to the greater of the amount actually paid by customer for the product or five dollars (US\$5.00). The foregoing limitations, exclusions and disclaimers shall apply to the maximum extent permitted by applicable law, even if any remedy fails of its essential purpose.

Translations — A non-English (translated) version of a document is for reference only. The English version shall prevail in case of any discrepancy between the translated and English versions.

5.3 Trademarks

Notice: All referenced brands, product names, service names and trademarks are the property of their respective owners.