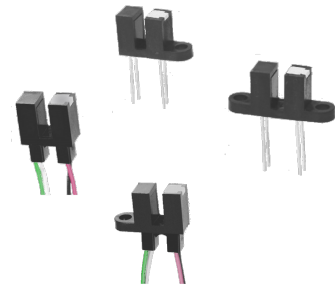


# Slotted Optical Switch

Series: OPB355T, OPB360, OPB370, OPB380  
OPB859, OPB860, OPB870, OPB880, OPB890



## Features:

- 0.125" (3.175 mm) slot width
- Choice of aperture (0.050" or 0.010" width)
- Choice of opaque or IR transmissive shell material
- Choice of mounting configurations
- Choice of lead spacing or wires

## Description:

The slotted optical sensors in this series provide the flexibility of a custom device from a standard product line.

Building from a standard housing with a 0.125" (3.18mm) wide slot, the user can specify output logic state, output driver circuit, aperture width, aperture surface and mounting tab locations. Furthermore, an option of wire or PCB leads allows electrical interface flexibility.

The device body is an opaque plastic which minimizes sensitivity to both visible and near-infrared external light sources which may impact operation. Aperture width choices provide different optical resolution for motion sensing. A covered aperture provides dust protection, while an open aperture provides maximum protection against external light sources.

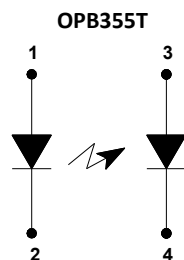
Phototransistor sensor devices are: OPB360, OPB370, OPB380, OPB390, OPB859, OPB860, OPB870, OPB880, OPB890. The OPB355T provides a photodiode detector, which has a lower linear output-versus-light.

Wide electrical output current ranges are available. LED emissions are near-infrared (850-940 nm).

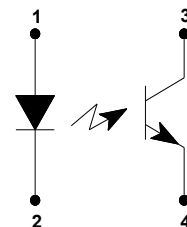
Custom electrical, wire and cabling services are available.  
Contact your local representative or OPTEK for more information.  
Compliant to EU RoHS Directive 2002/95/EC.

## Applications:

- Non-contact object sensing
- Assembly line automation
- Machine automation
- Equipment safety
- Machine safety



OPB360, OPB370, OPB380, OPB390  
OPB859  
OPB860, OPB870, OPB880, OPB890



| Wire Colors |             |
|-------------|-------------|
| Color #     | Description |
| 1           | Red         |
| 2           | Black       |
| 3           | White       |
| 4           | Green       |

**CONTAINS POLYSULFONE**

To avoid stress cracking, we suggest using ND Industries' **Vibra-Tite** for thread-locking. **ND Vibra-Tite Formula 3** evaporates fast without causing structural failure in OPTEK's molded plastics.

**Applies to: OPB360, OPB370, OPB380, OPB390 and OPB860, OPB870, OPB880, OPB890.**



General Note  
TT Electronics reserves the right to make changes in product specification without notice or liability. All information is subject to TT Electronics' own data and is considered accurate at time of going to print.

TT Electronics | OPTEK Technology  
2900 E. Plano Pkwy, Plano, TX 75074 | Ph: +1 972 323 2200  
www.ttelectronics.com | sensors@ttelectronics.com

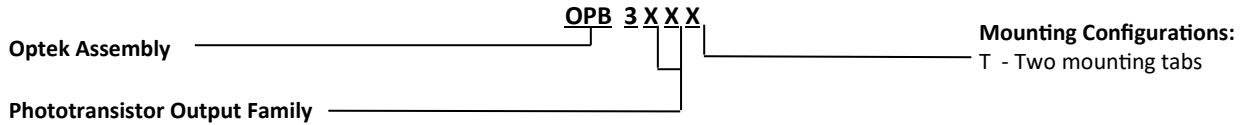
# Slotted Optical Switch

Series: OPB355T, OPB360, OPB370, OPB380

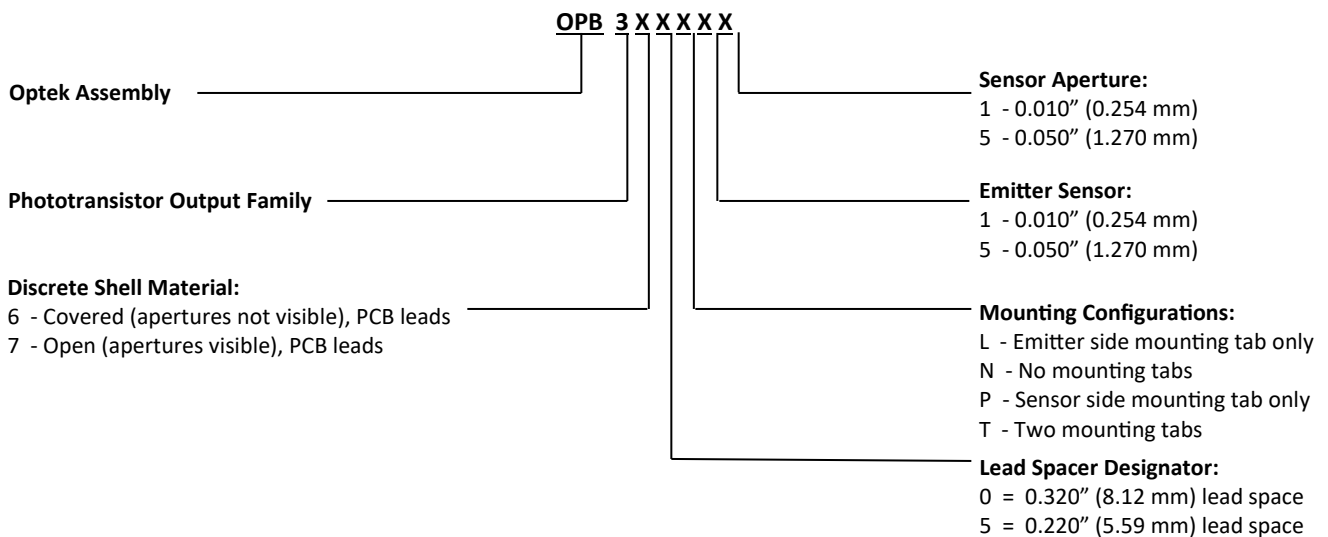
OPB859, OPB860, OPB870, OPB880, OPB890



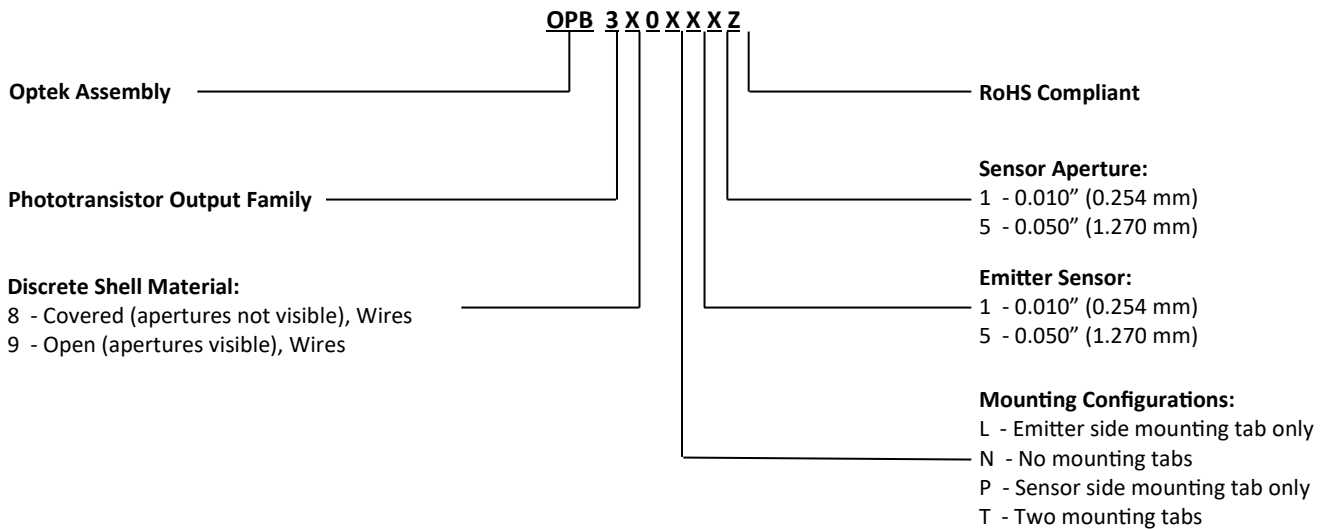
## Part Number Guide (see active part number list) — OPB355



## Part Number Guide (see active part number list) — OPB360 / OPB370



## Part Number Guide (see active part number list) — OPB380 / OPB390



General Note  
TT Electronics reserves the right to make changes in product specification without notice or liability. All information is subject to TT Electronics' own data and is considered accurate at time of going to print.

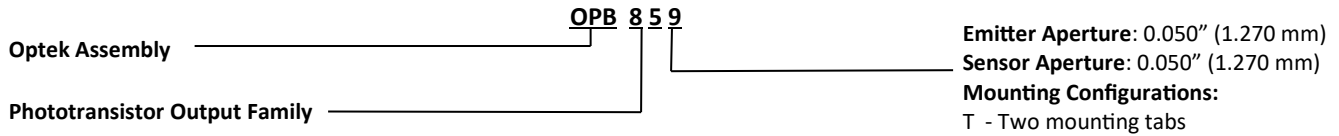
# Slotted Optical Switch

Series: OPB355T, OPB360, OPB370, OPB380

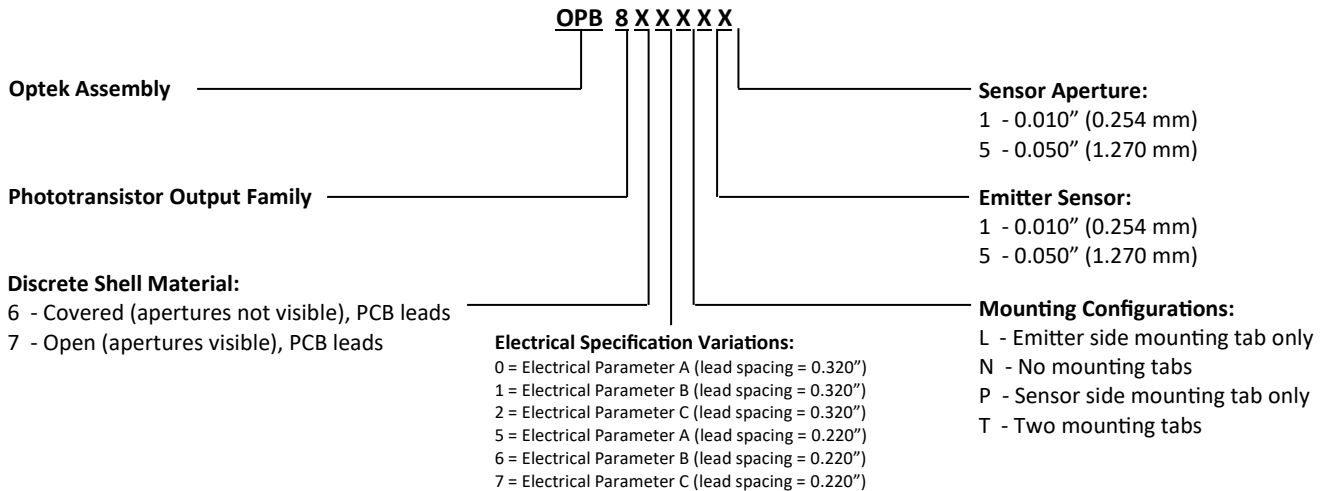
OPB859, OPB860, OPB870, OPB880, OPB890



## Part Number Guide — OPB859

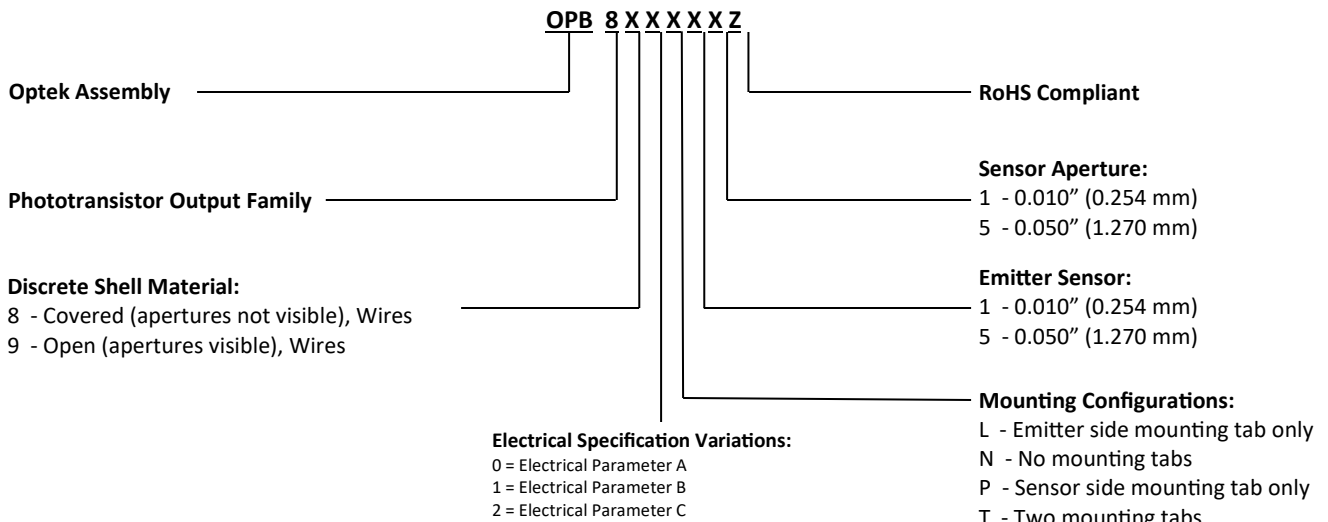


## Part Number Guide (see active part number list) — OPB860 / OPB870



Note: Assemblies with dual 0.010" apertures are currently available with electrical parameter "A" only.

## Part Number Guide (see active part number list) — OPB880 / OPB890



NOTE: Assemblies with dual 0.010" apertures are currently available with electrical parameter "A" only. Wires = 26AWG - 24" long. UL approved.

# Slotted Optical Switch

Series: OPB355T, OPB360, OPB370, OPB380

OPB859, OPB860, OPB870, OPB880, OPB890



| Active Part Number List |            |            |            |
|-------------------------|------------|------------|------------|
| OPB355T                 | OPB380L55Z | OPB865N51  | OPB880N55Z |
| OPB360L11               | OPB380N11Z | OPB865T11  | OPB880P51Z |
| OPB360L51               | OPB380P51Z | OPB865T51  | OPB880P55Z |
| OPB360L55               | OPB380P55Z | OPB865T55  | OPB880T11Z |
| OPB360N51               | OPB380T11Z | OPB866P55  | OPB880T51Z |
| OPB360T51               | OPB380T51Z | OPB866T51  | OPB880T55Z |
| OPB360T55               | OPB380T55Z | OPB866T55  | OPB881L51Z |
| OPB365L51               | OPB390L11Z | OPB867T55  | OPB881L55Z |
| OPB365N11               | OPB390L51Z | OPB870N11  | OPB881T51Z |
| OPB365N51               | OPB390L55Z | OPB870N51  | OPB881T55Z |
| OPB365N55               | OPB390P11Z | OPB870N55  | OPB882T51Z |
| OPB365P55               | OPB390P51Z | OPB870P55  | OPB882T55Z |
| OPB365T55               | OPB390P55Z | OPB870T51  | OPB890L11Z |
| OPB370L55               | OPB390T11Z | OPB871N51  | OPB890P11Z |
| OPB370N51               | OPB390T51Z | OPB871N55  | OPB890P51Z |
| OPB370N55               | OPB390T55Z | OPB871T55  | OPB890P55Z |
| OPB370T11               | OPB859     | OPB872T55  | OPB890T11Z |
| OPB370T51               | OPB860N51  | OPB875N51  | OPB890T51Z |
| OPB370T55               | OPB860N55  | OPB876N55  | OPB890T55Z |
| OPB375L11               | OPB860T11  | OPB876T55  | OPB891P55Z |
| OPB375N51               | OPB861N55  | OPB877N55  | OPB891T51Z |
| OPB375T11               | OPB861T55  | OPB877T55  | OPB891T55Z |
| OPB375T55               | OPB862T51  | OPB880L51Z | OPB892L51Z |
| OPB380L51Z              | OPB865N11  | OPB880N11Z | OPB892T55Z |

#### General Note

TT Electronics reserves the right to make changes in product specification without notice or liability. All information is subject to TT Electronics' own data and is considered accurate at time of going to print.

TT Electronics | OPTEK Technology  
2900 E. Plano Pkwy, Plano, TX 75074 | Ph: +1 972 323 2200  
[www.ttelectronics.com](http://www.ttelectronics.com) | [sensors@ttelectronics.com](mailto:sensors@ttelectronics.com)

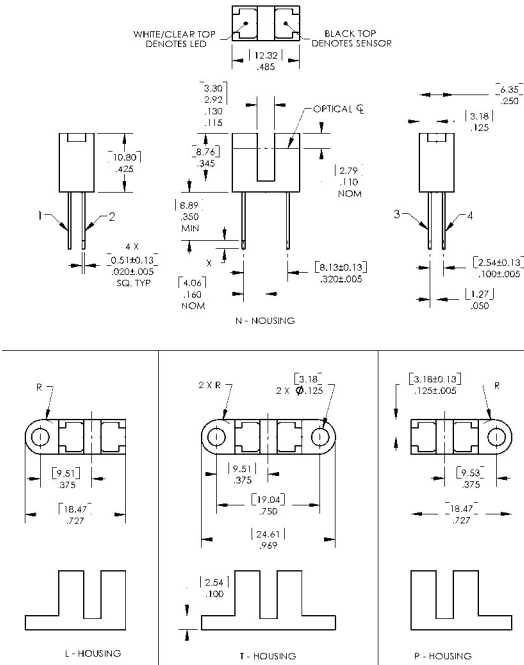
# Slotted Optical Switch

Series: OPB355T, OPB360, OPB370, OPB380

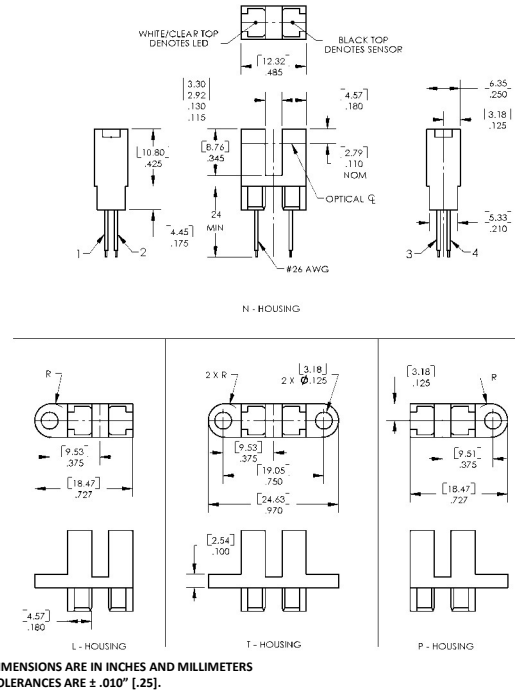


OPB859, OPB860, OPB870, OPB880, OPB890

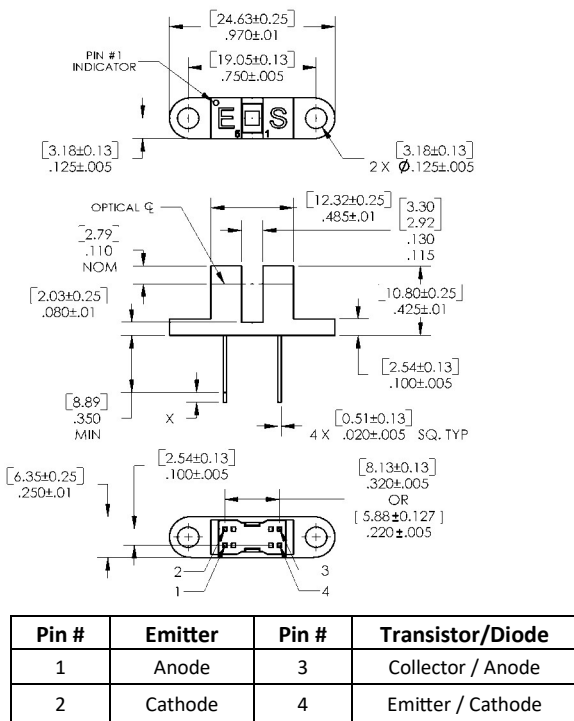
## OPB355, OPB360, OPB370



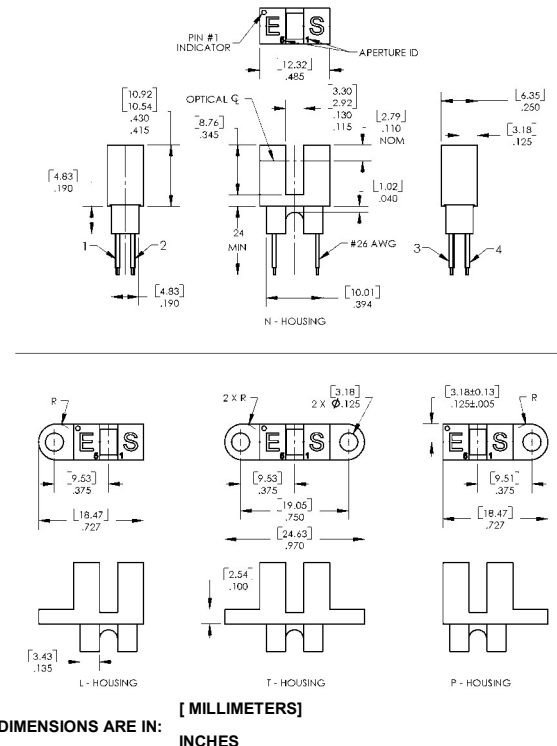
## OPB380, OPB390



## OPB859



## OPB880, OPB890



DIMENSIONS ARE IN: [ MILLIMETERS ]  
INCHES

### General Note

TT Electronics reserves the right to make changes in product specification without notice or liability. All information is subject to TT Electronics' own data and is considered accurate at time of going to print.

TT Electronics | OPTEK Technology  
2900 E. Plano Pkwy, Plano, TX 75074 | Ph: +1 972 323 2200  
www.ttelectronics.com | sensors@ttelectronics.com

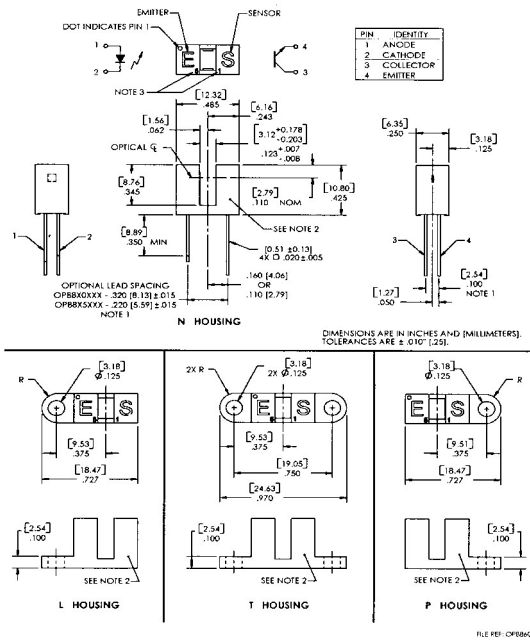
# Slotted Optical Switch

Series: OPB355T, OPB360, OPB370, OPB380

OPB859, OPB860, OPB870, OPB880, OPB890



## OPB860, OPB870



### General Note

TT Electronics reserves the right to make changes in product specification without notice or liability. All information is subject to TT Electronics' own data and is considered accurate at time of going to print.

TT Electronics | OPTEK Technology  
 2900 E. Plano Pkwy, Plano, TX 75074 | Ph: +1 972 323 2200  
 www.ttelectronics.com | sensors@ttelectronics.com

# Slotted Optical Switch

Series: OPB355T, OPB360, OPB370, OPB380

OPB859, OPB860, OPB870, OPB880, OPB890



## Electrical Specifications

**Absolute Maximum Ratings** ( $T_A = 25^\circ\text{C}$  unless otherwise noted)

|   |                                       |
|---|---------------------------------------|
| Storage Temperature <sup>(1) (2)</sup><br>OPB355T, OPB360, OPB370, OPB859, OPB860, OPB870 Series<br>OPB380, OPB390, OPB880, OPB890 Series | -40° C to +100° C<br>-40° C to +85° C |
| Operating Temperature <sup>(1) (2)</sup>  | -40° C to +85° C                      |
| Lead Soldering Temperature <sup>(7)</sup>   | 260° C                                |
| <b>Input LED</b>  |                                       |
| Forward DC Current<br>OPB355T, OPB360, OPB370, OPB380, OPB390, OPB859, OPB860, OPB870, OPB880, OPB890                                     | 50 mA                                 |
| Peak Forward Current (1 $\mu\text{s}$ pulse width, 300 pps)   | 1 A                                   |
| Reverse DC Voltage  | 2 V                                   |
| Power Dissipation <sup>(2)</sup>  | 75 mW                                 |
| <b>Output Phototransistor/Diode</b>   |                                       |
| Cathode-Anode Reverse Voltage -OPB355T  | 60 V                                  |
| Collector-Emitter Voltage<br>OPB360, OPB370, OPB380, OPB390, OPB859, OPB860, OPB870, OPB880, OPB890 Series                                | 30 V                                  |
| Emitter-Collector Voltage   | 5 V                                   |
| Collector DC Current  | 30 mA                                 |
| Power Dissipation <sup>(1)</sup>  | 100 mW                                |

Notes:

- (1) For wire series (OPB380, OPB390, OPB880 and OPB890), maximum storage and operating temperature is limited by the temperature rating of the lead wires.
- (2) Derate linearly 1.67 mW/° C above 25° C.
- (3) For OPB355T, OPB360 and OPB370, polarity is denoted by color of housing top: LED (clear); sensor (black).
- (4) Cleaning agents methanol and isopropanol are recommended. Spray or wipe; do not submerge.
- (5) OPB380 and OPB390 wire terminations have 24" of 7-strand 26 AWG UL approved insulated wire on each terminal. These devices incorporate a wire strain relief at the housing surface. The insulation colors and functions are: IRED anode (red); IRED cathode (black); phototransistor collector (white); phototransistor emitter (green).
- (6) RMA flux is recommended. Duration can be extended to 10 seconds maximum when flow soldering.
- (7) All parameters were tested using pulse technique.

### General Note

TT Electronics reserves the right to make changes in product specification without notice or liability. All information is subject to TT Electronics' own data and is considered accurate at time of going to print.

TT Electronics | OPTEK Technology  
2900 E. Plano Pkwy, Plano, TX 75074 | Ph: +1 972 323 2200  
www.ttelectronics.com | sensors@ttelectronics.com

# Slotted Optical Switch

Series: OPB355T, OPB360, OPB370, OPB380



OPB859, OPB860, OPB870, OPB880, OPB890

| Electrical Characteristics (T <sub>A</sub> = 25° C unless otherwise noted) |  |  |                                 |   |       |   |
|--|--|--|---------------------------------|---|-------|---|
| SYMBOL   | PARAMETER  | MIN                                    | TYP                             | MAX   | UNITS | TEST CONDITIONS   |
| <b>Input Transistor/Diode</b>  |  |  |                                 |   |       |   |
| V <sub>F</sub>   | Forward Voltage  | -                                      | 1.3                             | 1.8   | V     | I <sub>F</sub> = 20 mA  |
| I <sub>R</sub>   | Reverse Current  | -                                      | -                               | 100   | μA    | V <sub>R</sub> = 2 V  |
| <b>Output Diode — OPB355T</b>  |  |  |                                 |   |       |   |
| V <sub>BR</sub>  | Reverse Diode Breakdown Voltage  | 60                                     | -                               | -   | V     | I <sub>R</sub> = 100 μA, I <sub>F</sub> = 0, E <sub>E</sub> = 0   |
| V <sub>FD</sub>  | Forward Voltage Photodiode   | -                                      | -                               | 1.2   | V     | I <sub>F</sub> = 1 mA, I <sub>F</sub> = 0, E <sub>E</sub> = 0   |
| ID   | Reverse Dark Current   | -                                      | -                               | 60  | nA    | V <sub>R</sub> = 30 V, E <sub>E</sub> = 0, I <sub>F</sub> = 0   |
| <b>Output Transistor</b>   |  |  |                                 |   |       |   |
| V <sub>(BR)CEO</sub>   | Collector-Emitter Breakdown Voltage  | 30                                     | -                               | -   | V     | I <sub>C</sub> = 1 mA   |
| V <sub>(BR)ECO</sub>   | Emitter-Collector Breakdown Voltage  | 5                                      | -                               | -   | V     | I <sub>E</sub> = 100 μA   |
| I <sub>CEO</sub>   | Collector-Emitter Dark Current   | -                                      | -                               | 100   | nA    | V <sub>CE</sub> = 10 V, I <sub>F</sub> = 0, E <sub>E</sub> = 0  |
| <b>Coupled</b>   |  |  |                                 |   |       |   |
| I <sub>L</sub>   | On-State Collector Current<br>OPB355T  | 10                                     | -                               | 200   | μA    | V <sub>R</sub> = 5 V, I <sub>F</sub> = 40 mA  |
| V <sub>CE(SAT)</sub>   | Collector-Emitter Saturation Voltage<br>OPB859<br>OPB860/870/865/875 (Para. A)<br>OPB861/871/866/876 (Para. B)<br>OPB862/872/867/877 (Para. C)<br>OPB880/890/ (Para. A)<br>OPB881/891 (Para. B)<br>OPB882/892 (Para. C)                | -<br>-<br>-<br>-<br>-<br>-<br>-        | -<br>-<br>-<br>-<br>-<br>-<br>- | 0.4<br>0.4<br>0.4<br>0.6<br>0.4<br>0.4<br>0.6 | V     | I <sub>C</sub> = 125 μA, I <sub>F</sub> = 20 mA<br>I <sub>C</sub> = 400 μA, I <sub>F</sub> = 20 mA<br>I <sub>C</sub> = 800 μA, I <sub>F</sub> = 20 mA<br>I <sub>C</sub> = 1800 μA, I <sub>F</sub> = 20 mA<br>I <sub>C</sub> = 400 μA, I <sub>F</sub> = 20 mA<br>I <sub>C</sub> = 800 μA, I <sub>F</sub> = 10 mA<br>I <sub>C</sub> = 1800 μA, I <sub>F</sub> = 20 mA |
| I <sub>C(ON)</sub>   | On-State Collector Current<br>OPB36X, OPB37X (T, N, L, P 11)<br>OPB36X, OPB37X (T, N, L, P 51)<br>OPB36X, OPB37X (T, N, L, P 55)<br>OPB38X, OPB39X (T, N, L, P 11)<br>OPB38X, OPB39X (T, N, L, P 51)<br>OPB38X, OPB39X (T, N, L, P 55) | 1.0<br>2.5<br>3.5<br>1.0<br>2.5<br>3.5 | -<br>-<br>-<br>-<br>-<br>-      | 5<br>10<br>14<br>5<br>10<br>14                | mA    | V <sub>CE</sub> = 0.4 V, I <sub>F</sub> = 20 mA   |
|  | OPB859   | 250                                    | -                               | -   | μA    | V <sub>CE</sub> = 10 V, I <sub>F</sub> = 20 mA  |
| I <sub>C(ON)</sub>   | OPB860/870/865/875 (Para. A)   | 0.5                                    | -                               | -   | mA    | V <sub>CE</sub> = 10 V, I <sub>F</sub> = 20 mA  |
|  | OPB861/871/866/876 (Para. B)   | 1.0                                    | -                               | -   |       | V <sub>CE</sub> = 5 V, I <sub>F</sub> = 10 mA   |
|  | OPB862/872/867/877 (Para. C)   | 1.8                                    | -                               | -   |       | V <sub>CE</sub> = 0.6 V, I <sub>F</sub> = 20 mA   |
|  | OPB880/890/ (Para. A)  | 0.5                                    | -                               | -   |       | V <sub>CE</sub> = 10 V, I <sub>F</sub> = 20 mA  |
|  | OPB881/891 (Para. B)   | 1.0                                    | -                               | -   |       | V <sub>CE</sub> = 5 V, I <sub>F</sub> = 10 mA   |
|  | OPB882/892 (Para. C)   | 1.8                                    | -                               | -   |       | V <sub>CE</sub> = 0.6 V, I <sub>F</sub> = 20 mA   |

**General Note**

TT Electronics reserves the right to make changes in product specification without notice or liability. All information is subject to TT Electronics' own data and is considered accurate at time of going to print.

TT Electronics | OPTEK Technology  
2900 E. Plano Pkwy, Plano, TX 75074 | Ph: +1 972 323 2200  
www.ttelectronics.com | sensors@ttelectronics.com



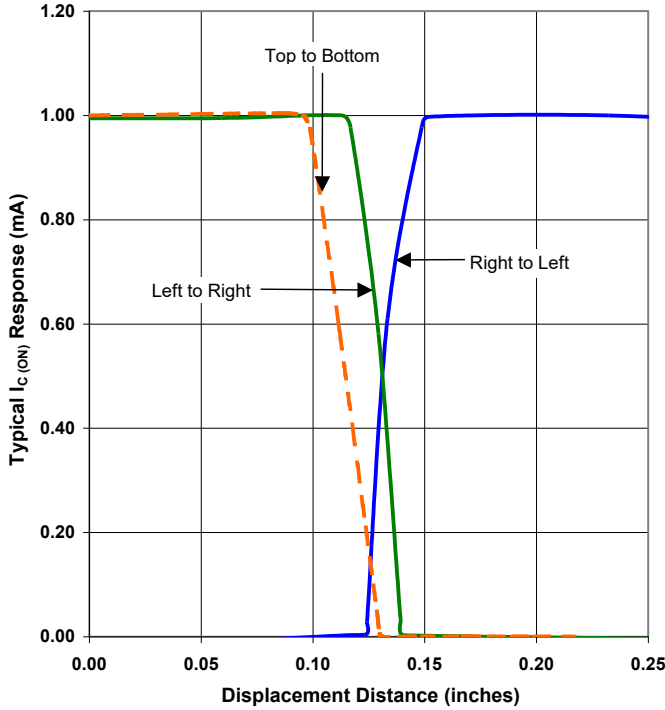
# Slotted Optical Switch

Series: OPB355T, OPB360, OPB370, OPB380

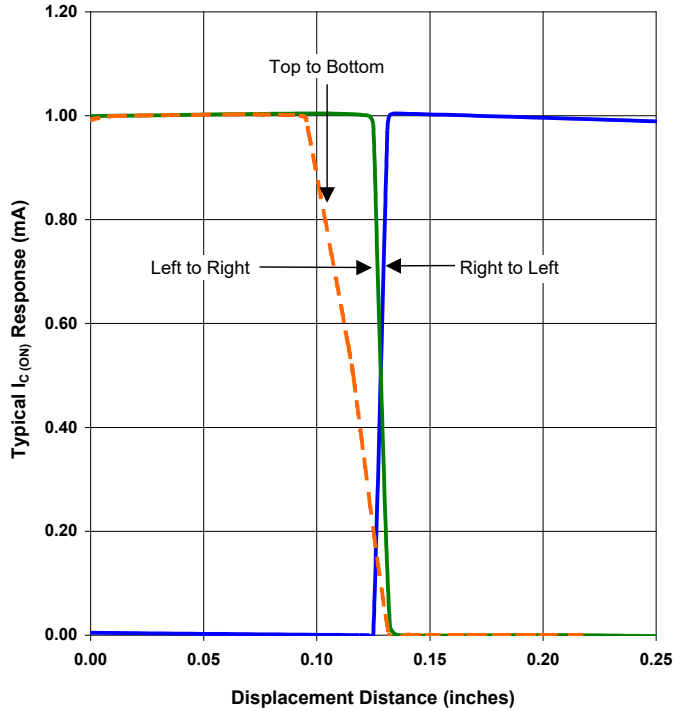
OPB859, OPB860, OPB870, OPB880, OPB890



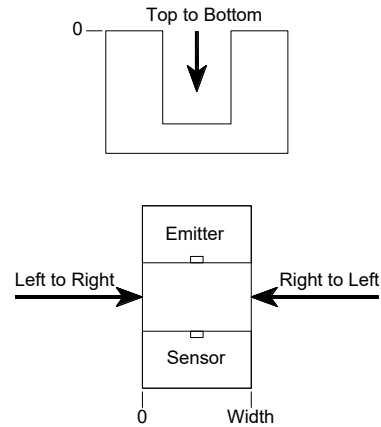
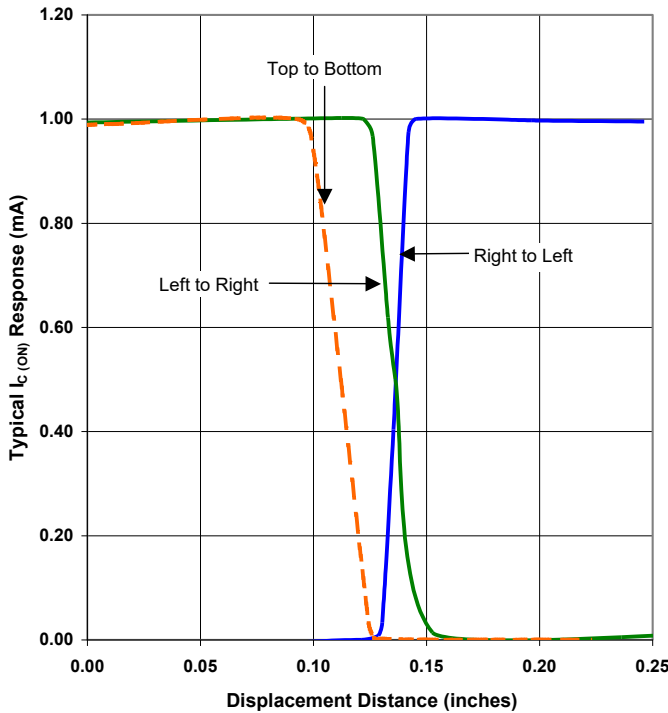
OPB355 - Flag Next to Emitter



OPB355 - Flag Next to Sensor



OPB355 - Flag in Middle of Slot



**General Note**

TT Electronics reserves the right to make changes in product specification without notice or liability. All information is subject to TT Electronics' own data and is considered accurate at time of going to print.

TT Electronics | OPTEK Technology  
 2900 E. Plano Pkwy, Plano, TX 75074 | Ph: +1 972 323 2200  
[www.ttelectronics.com](http://www.ttelectronics.com) | [sensors@ttelectronics.com](mailto:sensors@ttelectronics.com)

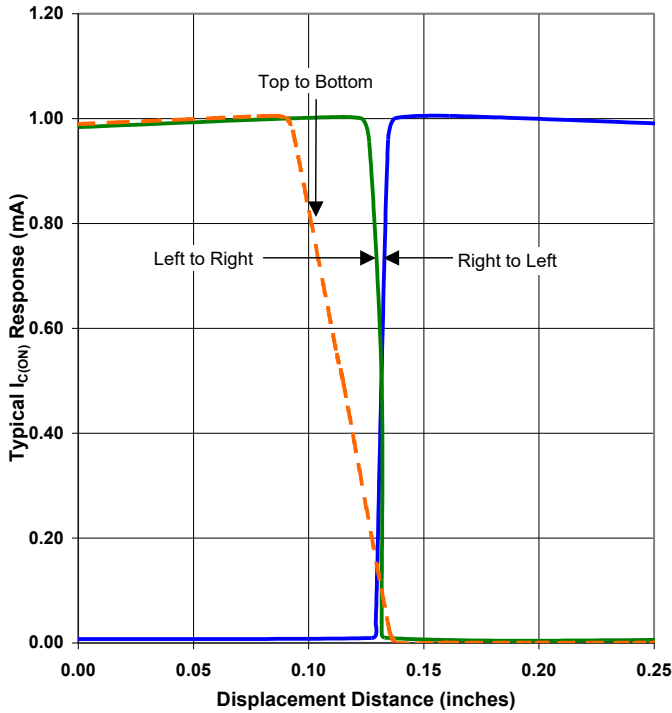
# Slotted Optical Switch

Series: OPB355T, OPB360, OPB370, OPB380

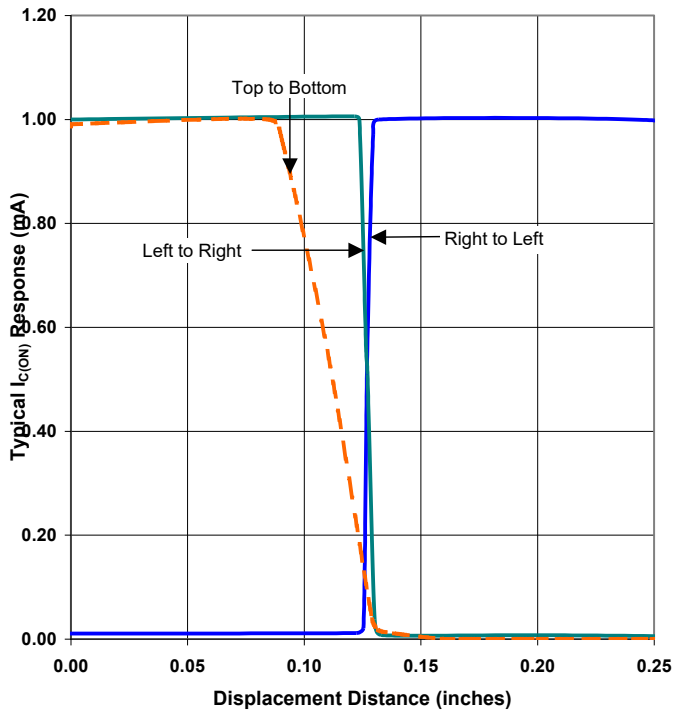


OPB859, OPB860, OPB870, OPB880, OPB890

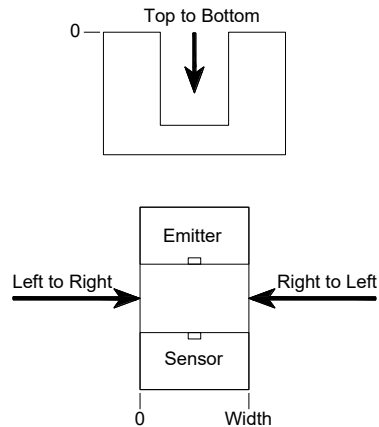
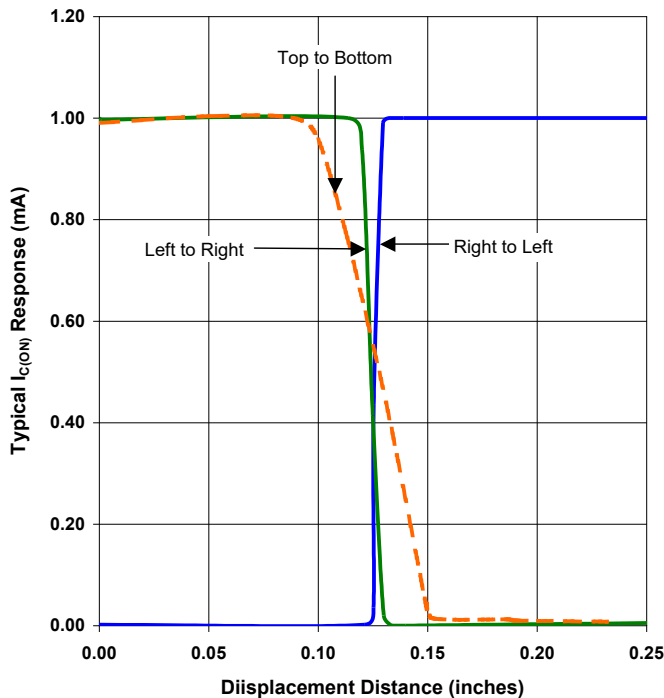
Aperture Configuration 11 - Flag Next to Emitter



Aperture Configuration 11 - Flag Next to Sensor



Aperture Configuration 11 - Flag in Middle of Slot



General Note  
 TT Electronics reserves the right to make changes in product specification without notice or liability. All information is subject to TT Electronics' own data and is considered accurate at time of going to print.

TT Electronics | OPTeK Technology  
 2900 E. Plano Pkwy, Plano, TX 75074 | Ph: +1 972 323 2200  
[www.ttelectronics.com](http://www.ttelectronics.com) | [sensors@ttelectronics.com](mailto:sensors@ttelectronics.com)

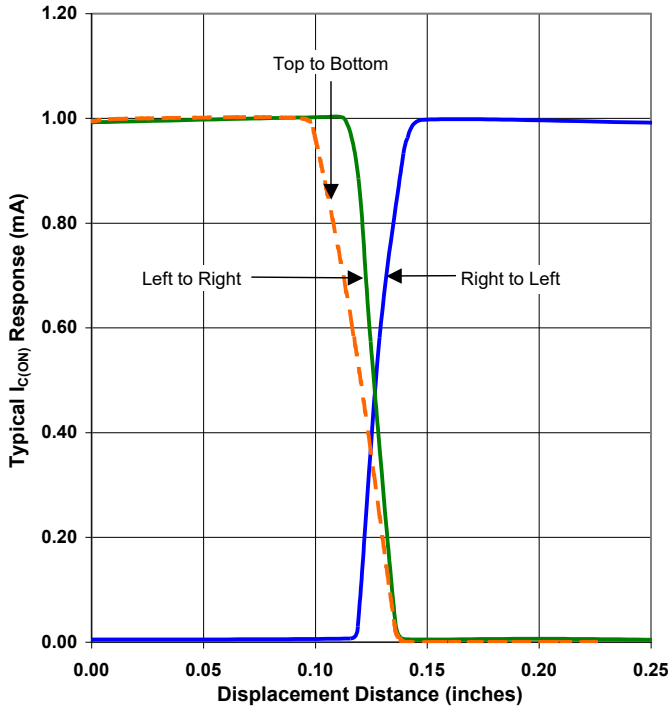
# Slotted Optical Switch

Series: OPB355T, OPB360, OPB370, OPB380

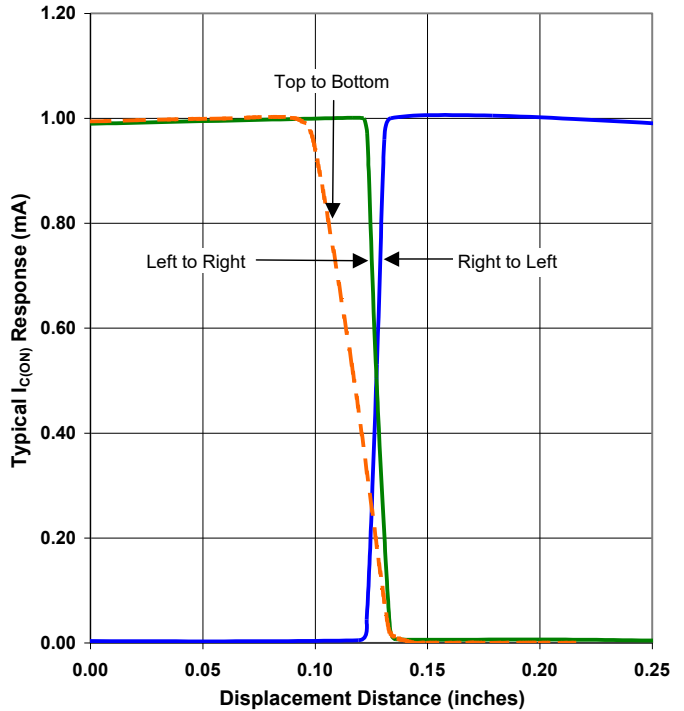


OPB859, OPB860, OPB870, OPB880, OPB890

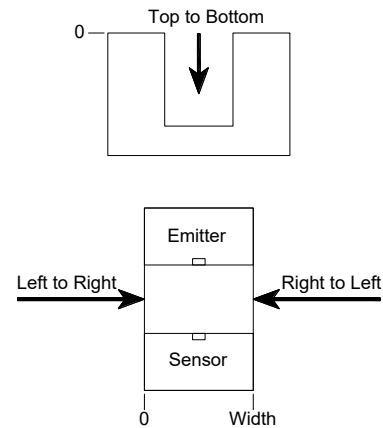
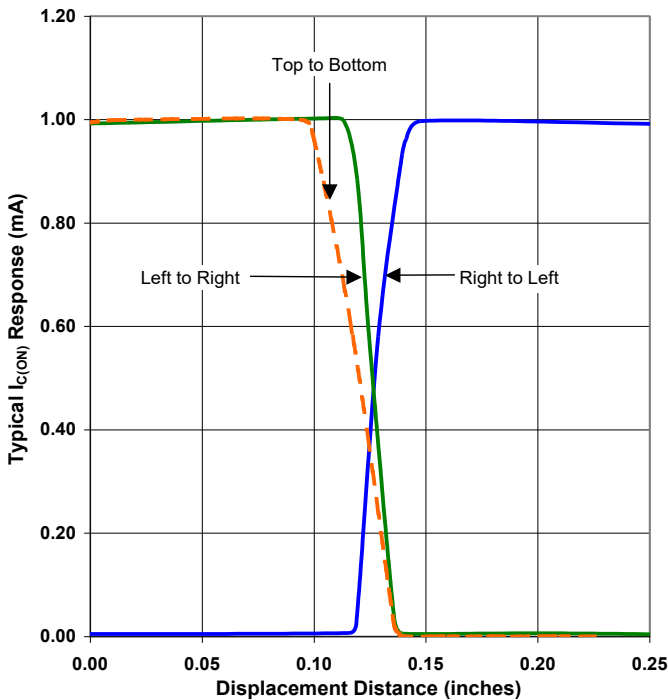
Aperture Configuration 51 - Flag Next to Emitter



Aperture Configuration 51 - Flag Next to Sensor



Aperture Configuration 51 - Flag in Middle of Slot



General Note

TT Electronics reserves the right to make changes in product specification without notice or liability. All information is subject to TT Electronics' own data and is considered accurate at time of going to print.

TT Electronics | OPTEK Technology  
2900 E. Plano Pkwy, Plano, TX 75074 | Ph: +1 972 323 2200  
www.ttelectronics.com | sensors@ttelectronics.com