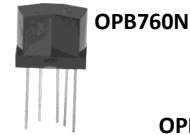


Photologic® Reflective Object Sensor

OPB760N, OPB760T, OPB761N, OPB763T

OPB770TZ, OPB771TZ, OPB773TZ



Features:

- Choice of mounting configurations
- Choice of four output configurations
- .040" (10.160 mm) PCBoard mount (N and T series)
- 12" (304.800 mm) AWG 26 wires (TZ series)

Description:

The **OPB760N**, **OPB760T**-and **OPB770T** series of reflective assemblies feature Photologic® output. The electrical output can be specified as either TTL Totem-Pole or TTL Open-Collector, either of which can be supplied with inverter or buffer output polarity.

OPB760N and **OPB760T** series devices are designed for PCBoard mounting and have 0.04" (10 mm) long leads.

OPB760T and **OPB770T** series devices are designed for remote mounting with two mounting tabs.

OPB770TZ series devices have 12" (305 mm) long, UL approved 26 AWG wires.

All devices in this series offer the added stability of a built-in hysteresis amplifier.

Custom electrical, wire and cabling and connectors are available. Contact your local representative or OPTEK for more information.

Applications:

- Non-contact Photologic® reflective object sensor
- Assembly line automation
- Machine automation
- Machine safety
- End of travel sensor
- Door sensor

Ordering Information				
Part Number	LED Peak Wavelength	Sensor Photologic®	Reflection Distance (Inch) Min / Max	Mounting
OPB760N	890 nm	Totem-Pole	0.080" / 0.220"	PCBoard .040" (10.160 mm) leads
OPB761N		Open Collector		
OPB762N Obsolete		Inv-Totem-Pole		
OPB763N Obsolete		Inv-Open Collector		
OPB760T		Totem-Pole		
OPB761T Obsolete		Open Collector		
OPB762T Obsolete		Inv-Totem-Pole		
OPB763T		Inv-Open Collector		
OPB770NZ Obsolete		Totem-Pole		12" (304.800 mm) 26 AWG wire
OPB771NZ Obsolete		Open Collector		
OPB772NZ Obsolete		Inv-Totem-Pole		
OPB773NZ Obsolete		Inv-Open Collector		
OPB770TZ		Totem-Pole		
OPB771TZ		Open Collector		
OPB772TZ Obsolete		Inv-Totem-Pole		
OPB773TZ		Inv-Open Collector		



General Note

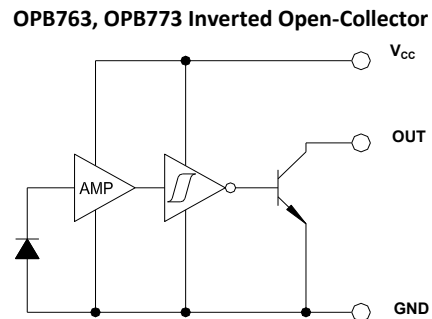
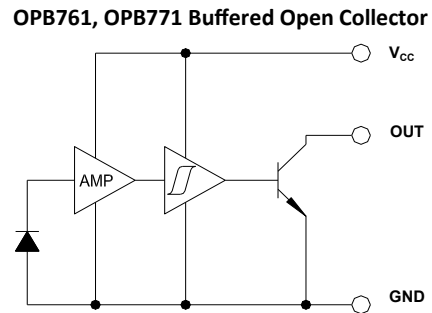
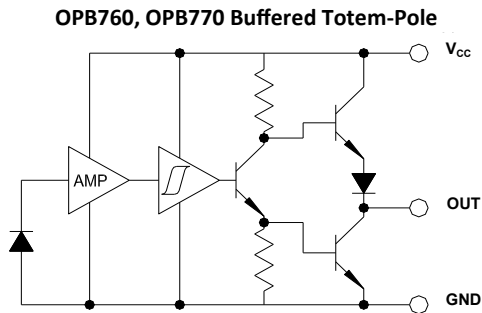
TT Electronics reserves the right to make changes in product specification without notice or liability. All information is subject to TT Electronics' own data and is considered accurate at time of going to print.

TT Electronics | OPTEK Technology
2900 E. Plano Pkwy, Plano, TX 75074 | Ph: +1 972 323 2200
www.ttelectronics.com | sensors@ttelectronics.com

Photologic[®] Reflective Object Sensor

OPB760N, OPB760T, OPB761N, OPB763T

OPB770TZ, OPB771TZ, OPB773TZ



General Note

TT Electronics reserves the right to make changes in product specification without notice or liability. All information is subject to TT Electronics' own data and is considered accurate at time of going to print.

TT Electronics | OPTEK Technology
2900 E. Plano Pkwy, Plano, TX 75074 | Ph: +1 972 323 2200
www.ttelectronics.com | sensors@ttelectronics.com

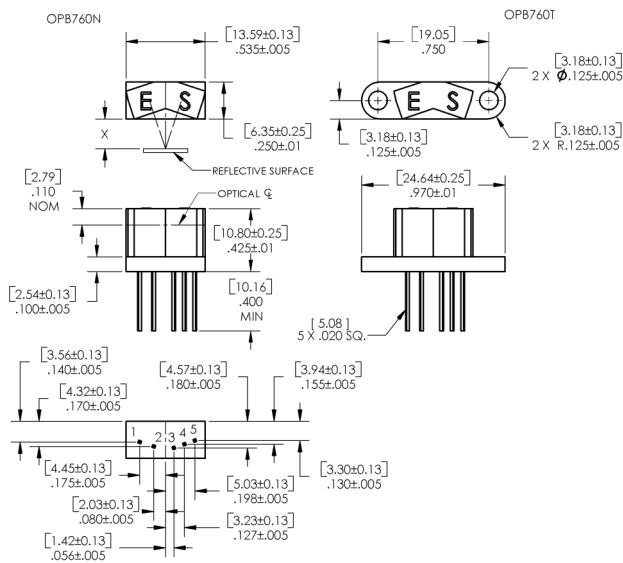
Photologic® Reflective Object Sensor

OPB760N, OPB760T, OPB761N, OPB763T

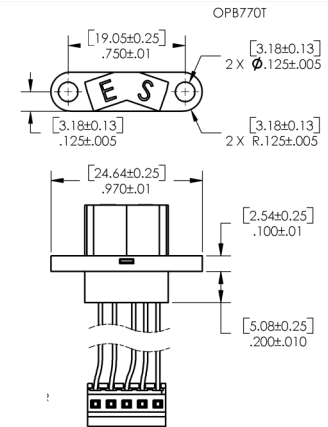
OPB770TZ, OPB771TZ, OPB773TZ



OPB760 (N and T Series)



OPB770TZ Series



X = 0.08" [2.0 mm] to 0.22" [5.6 mm]

DIMENSIONS ARE IN: [MILLIMETERS] INCHES

Pin#	Description	Pin#	Description
1	Cathode	3	Ground
2	Anode	4	Output
		5	V _{CC}

Color/Pin#	Description	Color/Pin#	Description
Red-4	Anode	White-1	V _{CC}
Black-5	Cathode	Blue-2	Output
		Green-3	Ground

General Note

TT Electronics reserves the right to make changes in product specification without notice or liability. All information is subject to TT Electronics' own data and is considered accurate at time of going to print.

TT Electronics | OPTEK Technology
2900 E. Plano Pkwy, Plano, TX 75074 | Ph: +1 972 323 2200
www.ttelectronics.com | sensors@ttelectronics.com

Electrical Specifications

Absolute Maximum Ratings ($T_A = 25^\circ\text{C}$ unless otherwise noted)

Supply Voltage, V_{CC} (not to exceed 3 seconds)	10 V
Storage Temperature Range	-40° C to +85° C
Operating Temperature Range	-40° C to +70° C
Lead Soldering Temperature (1/16" inch (1.6 mm) from case for 5 seconds with soldering iron) ⁽¹⁾	260° C
Input Diode Power Dissipation ⁽²⁾	100 mW
Output Photologic® Power Dissipation ⁽³⁾	200 mW
Total Device Power Dissipation ⁽⁴⁾	300 mW
Voltage at Output Lead (Open Collector Output)	35 V
Diode Forward DC Current	40 mA
Diode Reverse DC Voltage	3 V

Electrical Characteristics ($T_A = 25^\circ\text{C}$ unless otherwise noted)

SYMBOL	PARAMETER	MIN	TYP	MAX	UNITS	TEST CONDITIONS
--------	-----------	-----	-----	-----	-------	-----------------

Input Diode

V_F	Forward Voltage	-	-	1.8	V	$I_F = 40\text{ mA}$, $T_A = 25^\circ\text{C}$
I_R	Reverse Current	-	-	100	μA	$V_R = 2.0\text{ V}$, $T_A = 25^\circ\text{C}$

Output Photologic® Sensor

V_{CC}	Operating DC Supply Voltage	4.75	-	5.25	V	
I_{CCL}	Low Level Supply Current: Buffered Totem-Pole Output ⁽⁵⁾⁽⁶⁾	-	-	10	mA	$V_{CC} = 5.25\text{ V}$, $I_F = 0\text{ mA}$ (output open)
	Buffered Open-Collector Output ⁽⁵⁾⁽⁶⁾	-	-	10	mA	
	Inverted Open-Collector Output ⁽⁵⁾	-	-	10	mA	$V_{CC} = 5.25\text{ V}$, $I_F = 25\text{ mA}$ (output open)
I_{CCH}	High Level Supply Current: Buffered Totem-Pole Output ⁽⁵⁾⁽⁶⁾	-	-	10	mA	$V_{CC} = 5.25\text{ V}$, $I_F = 25\text{ mA}$ (output open)
	Buffered Open-Collector Output ⁽⁵⁾	-	-	10	mA	
	Inverted Open-Collector Output ⁽⁵⁾⁽⁶⁾	-	-	10	mA	$V_{CC} = 5.25\text{ V}$, $I_F = 0\text{ mA}$ (output open)
I_{OH}	High Level Output Current: Buffered Open-Collector Output	-	-	100	μA	$V_{CC} = 4.5\text{ V}$, $I_F = 25\text{ mA}$, $V_{OH} = 30\text{ V}$, $T_A = 25^\circ\text{C}$
	Buffered Open-Collector Output	-	-	100	μA	
	Inverted Open-Collector Output	-	-	100	μA	$V_{CC} = 4.5\text{ V}$, $I_F = 0\text{ mA}$, $V_{OH} = 30\text{ V}$, $T_A = 25^\circ\text{C}$

Notes:

- (1) RMA flux is recommended. Duration can be extended to 10 seconds maximum when flow soldering.
- (2) Derate linearly 2.22 mW/° C above 25° C.
- (3) Derate linearly 4.44 mW/° C above 25° C.
- (4) Derate linearly 6.66 mW/° C above 25° C. Normal application would be with light source blocked, simulated by $I_F = 0\text{ mA}$.
- (5) Tested at $d = 0.080''$ (mm) from a 90% diffuse white test surface.
- (6) Normal application would be with light source blocked, simulated by $I_F = 0\text{ mA}$.
- (7) All parameters tested using pulse technique.

General Note

TT Electronics reserves the right to make changes in product specification without notice or liability. All information is subject to TT Electronics' own data and is considered accurate at time of going to print.

Photologic® Reflective Object Sensor

OPB760N, OPB760T, OPB761N, OPB763T

OPB770TZ, OPB771TZ, OPB773TZ



Electrical Specifications

Electrical Characteristics ($T_A = 25^\circ\text{C}$ unless otherwise noted)

SYMBOL	PARAMETER	MIN	TYP	MAX	UNITS	TEST CONDITIONS
--------	-----------	-----	-----	-----	-------	-----------------

Output Photologic® Sensor (continued)

$I_{F(+)}$	LED Positive-Going Threshold Current ⁽²⁾	-	-	25	mA	$V_{CC} = 5\text{ V}, T_A = 25^\circ\text{C}$
$I_{F(+)} / I_{F(-)}$	Hysteresis ⁽²⁾	1.1	-	2.0	-	$V_{CC} = 5\text{ V}$
I_{OS}	Short Circuit Output Current: Buffered Totem-Pole Output ⁽¹⁾	-15	-	-100	mA	$I_F = 25\text{ mA}, V_{CC} = 5.25\text{ V}, \text{Output} = \text{GRD}$
V_{OL}	Low Level Output Voltage: Buffered Totem-Pole Output ⁽¹⁾⁽⁴⁾	-	-	0.4	V	$V_{CC} = 4.5\text{ V}, I_{OL} = 12.8\text{ mA}, I_F = 0\text{ mA}$ or $I_F = 30\text{ mA}$
	Buffered Open-Collector Output ⁽¹⁾⁽⁴⁾	-	-	0.4	V	
	Inverted Open-Collector Output ⁽¹⁾⁽⁴⁾	-	-	0.4	V	$V_{CC} = 4.5\text{ V}, I_{OL} = 12.8\text{ mA}, I_F = 25\text{ mA}$
V_{OH}	High Level Output Voltage: Buffered Totem-Pole Output ⁽¹⁾	2.4	-	-	V	$V_{CC} = 4.5\text{ V}, I_{OH} = -800\ \mu\text{A}, I_F = 25\text{ mA}$
	Inverted Open-Collector Output ⁽³⁾	2.4	-	-	V	$V_{CC} = 4.5\text{ V}, I_{OH} = -800\ \mu\text{A}, I_F = 30\text{ mA}$

Notes:

- (1) Tested at $d = 0.080''$ (mm) from a 90% diffuse white test surface.
- (2) Tested at $d = 0.080''$ (mm), $0.150''$ (mm) and $0.220''$ (mm) from a 90% diffuse white test surface. Reference: Eastman Kodak, Catalog #E 152 7795.
- (3) Tested at $d = 0.080''$ (mm), $0.150''$ (mm) and $0.220''$ (mm) from a 5% diffuse black test surface.
- (4) Normal application would be with light source blocked, simulated by $I_F = 0\text{ mA}$.
- (5) OPB760N through OPB761N series devices are terminated with $0.20''$ (mm) square leads designed for printed PCBoard mounting.
- (6) OPB760T through OPB763T series devices are terminated with $0.020''$ (mm) square leads designed for printed PCBoard mounting.
- (7) OPB770TZ through OPB773TZ series are terminated with $12''$ (mm) of 7-strand 26 AWG UL1429 insulated wire on each terminal. A standard AMP No. 640442-5 connector has been attached to the lead wires to ease connection to wire harnesses.
- (8) All parameters tested using pulse technique.

General Note

TT Electronics reserves the right to make changes in product specification without notice or liability. All information is subject to TT Electronics' own data and is considered accurate at time of going to print.

TT Electronics | OPTEK Technology
2900 E. Plano Pkwy, Plano, TX 75074 | Ph: +1 972 323 2200
www.ttelectronics.com | sensors@ttelectronics.com

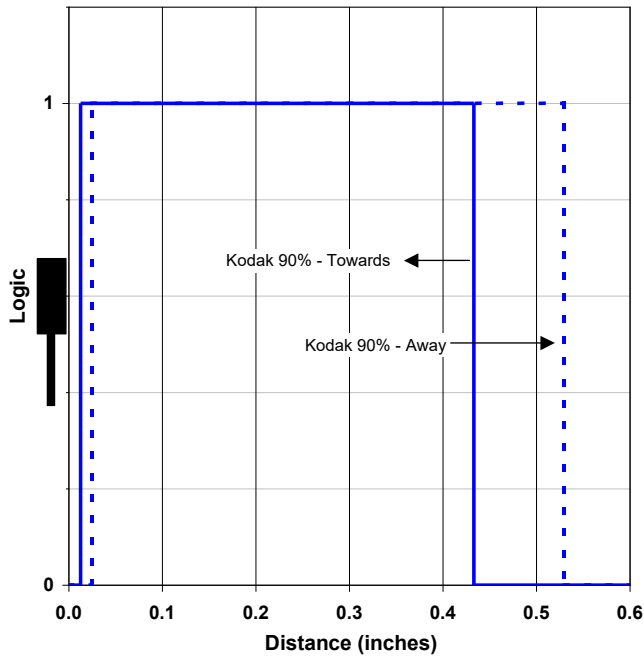
Photologic® Reflective Object Sensor

OPB760N, OPB760T, OPB761N, OPB763T
OPB770TZ, OPB771TZ, OPB773TZ

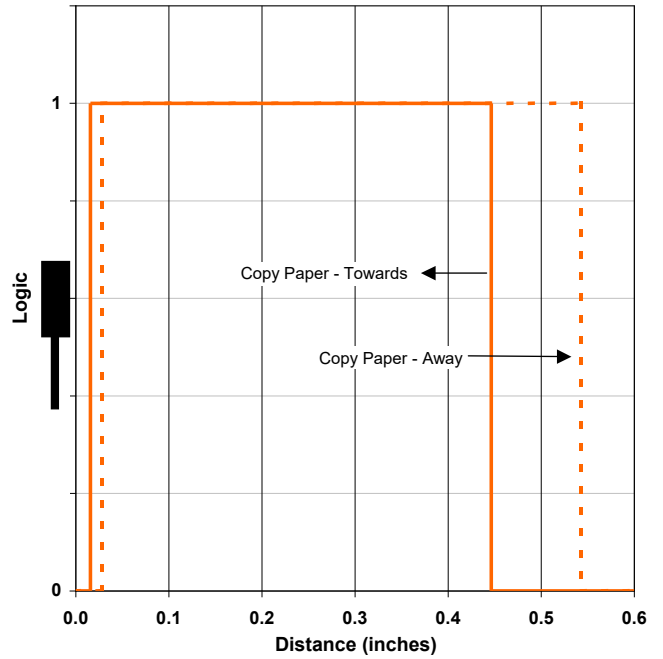


Performance

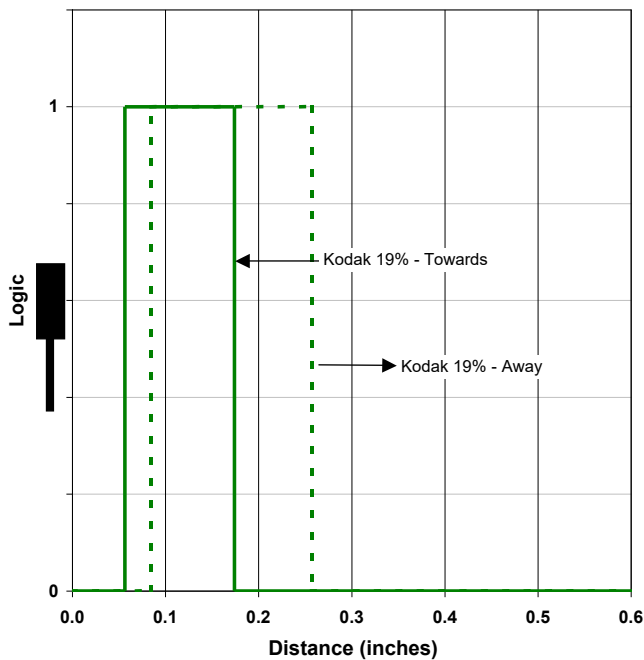
Logic Level vs Distance



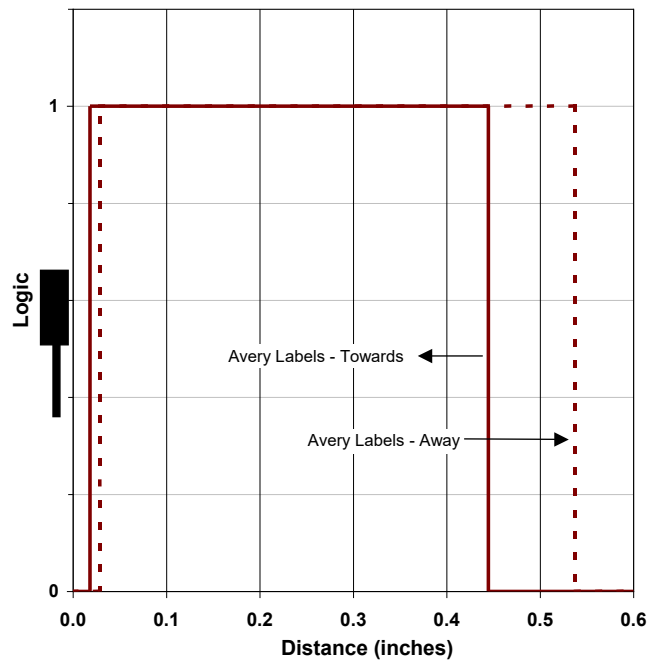
Logic Level vs Distance



Logic Level vs Distance



Logic Level vs Distance



General Note

TT Electronics reserves the right to make changes in product specification without notice or liability. All information is subject to TT Electronics' own data and is considered accurate at time of going to print.

TT Electronics | OPTEK Technology
2900 E. Plano Pkwy, Plano, TX 75074 | Ph: +1 972 323 2200
www.ttelectronics.com | sensors@ttelectronics.com