



TRIPLE OPTIC



FEATURES / BENEFITS

- ▲ Only 50mm maximum diameter
- ▲ Ideal for creating triple arrays of high flux LEDs
- ▲ Automatic alignment feature
- ▲ High temperature acrylic construction
- ▲ Models available for LUXEON®, Cree®, NICHIA® & OSRAM® LEDs
- ▲ Creates tight spot of light
- ▲ Available sub lenses snap-on to the base to create wide or diffused distributions

APPLICATION

- ▲ Ideal for creating MR16 sized spotlights with LUXEON, Cree, NICHIA & OSRAM high flux LEDs. Typical applications include spot lighting, accent lighting and RGB color mixing.

OPERATING CONDITIONS

- ▲ 85°C max acrylic temperature

MATERIALS/FINISH

- ▲ Optical grade PMMA acrylic

ORDERING INFORMATION

TRIPLE SPOT OPTICS			
Part Number	Description	*Degree of spot base optic	*Degree of spot base optic with OPTL-3-WSL (wide sub lens)
OPTX-3-008	Cree triple spot optic	8°	16°
OPK2-3-006	K2 triple spot optic	6°	12°
OPGD-3-006	OSRAM triple spot optic	6°	12°
OPIO-3-011	NICHIA triple spot optic	11°	22°
SUB LENSES			
OPTL-3-MSL	Triple micro sub lens	N/A	N/A
OPTL-3-WSL	Triple wide sub lens	N/A	N/A

*All angles refer to half divergence

Dialight reserves the right to make changes at any time in order to supply the best product possible.

Dialight-Lumidrives Ltd.

York House • Wetherby Road • Long Marston, York, YO26 7NH
Tel: +44(0) 1904 739150 • Fax: +44(0) 1904 737926 • www.dialight.com



Dialight Corporation

1501 Route 34 South • Farmingdale, NJ 07727 USA
Tel: (1) 732-919-3119 • Fax: (1) 732-751-5778 • www.dialight.com

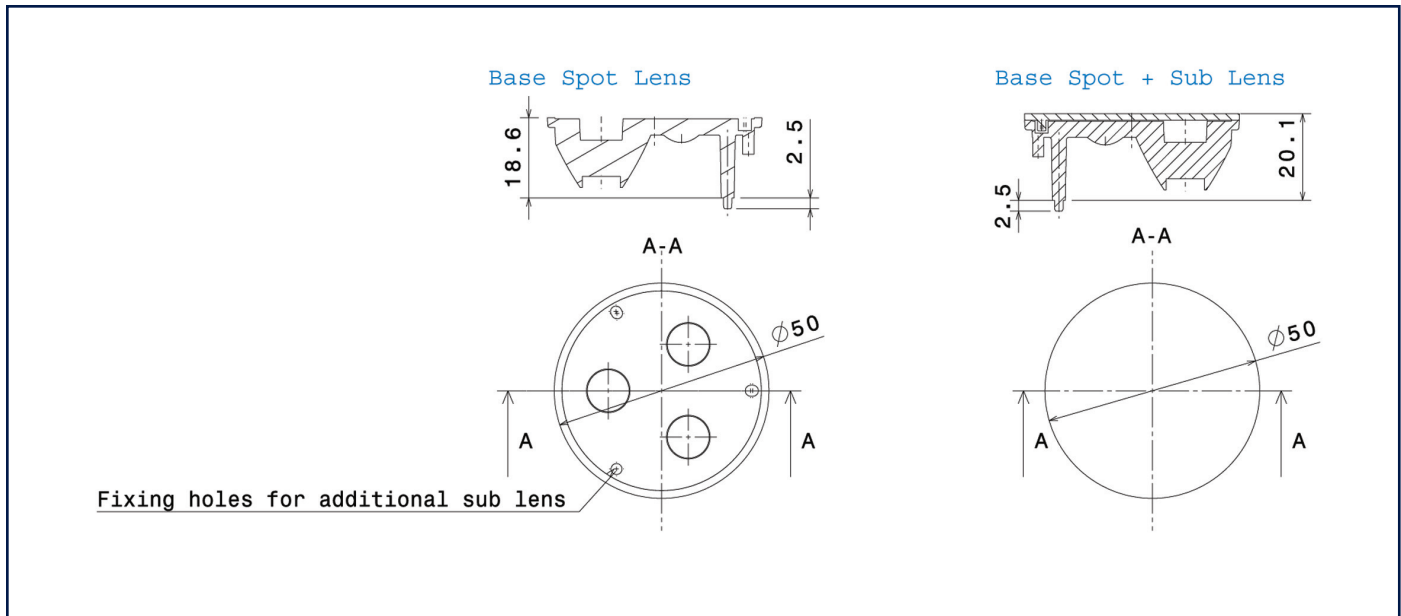


MDEXLUMTRPOPT_A

MECHANICAL DIMENSIONS

Base Optics: 50.0mm (1.77") diameter
21.1mm (1.20") height

Sub lenses: 50.0mm (1.77") diameter
1.5mm (0.10") height



Dialight reserves the right to make changes at any time in order to supply the best product possible.

Dialight-Lumidrives Ltd.

York House • Wetherby Road • Long Marston, York, YO26 7NH

Tel: +44(0) 1904 739150 • Fax: +44(0) 1904 737926 • www.dialight.com



Dialight Corporation

1501 Route 34 South • Farmingdale, NJ 07727 USA

Tel: (1) 732-919-3119 • Fax: (1) 732-751-5778 • www.dialight.com



MDEXLUMTRPOPT_A