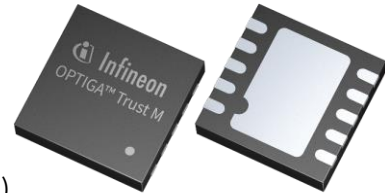


OPTIGA™ Trust M

Key Features

- High-end security controller
- Common Criteria Certified EAL6+ (high) hardware
- Turnkey solution
- Up to 10kB user memory
- PG-USON-10-2,-4 package (3 x 3 mm)
- Standard & Extended temperature ranges
- I2C interface with Shielded Connection (encrypted communication)
- Cryptographic support:
 - ECC : NIST curves up to P-521, Brainpool r1 curve up to 512,
 - RSA® up to 2048,
 - AES key up to 256 , HMAC up to SHA512,
 - TLS v1.2 PRF and HKDF up to SHA512
- OPTIGA™ Trust M Software Framework on Github - <https://github.com/Infineon/optiga-trust-m>
- Crypto ToolBox commands for SHA-256, ECC and RSA® Feature, AES, HMAC and Key derivation
- Configurable device security monitor, 4 Monotonic up counters
- Protected(integrity and confidentiality) update of data, key and metadata objects
- Hibernate for zero power consumption¹
- Lifetime for Industrial Automation and Infrastructure is 20 years and 15 years for other Application Profiles



Benefits

- Protection of IP and data
- Protection of business case and corporate image
- Safeguarding of quality and safety

Applications

- Industrial control and building automation
- Consumer electronics and Smart Home
- Drones

About this document

Scope and purpose

This Datasheet provides information to enable integration of a security device, and includes package, connectivity and technical data.

Intended audience

This Datasheet is intended for device integrators and board manufacturers.

¹ Leakage current < 2.5µA only

Table of Contents

Table of Contents

About this document	1
Table of Contents	2
1 Introduction	3
1.1 Broad range of benefits.....	3
1.2 Enhanced security	3
1.3 Fast and easy integration.....	3
1.4 Applications.....	3
1.5 Device Features	3
2 System Block Diagram	7
3 Interface and Schematics	9
3.1 System Integration Schematics with Hibernation support.....	9
4 Description of packages	12
4.1 PG-USON-10-2,-4	12
4.2 Production sample marking pattern	13
5 Technical Data	15
5.1 I2C Interface Characteristics	15
5.1.1 I2C Standard/Fast Mode Interface Characteristics	15
5.1.2 I2C Fast Mode Plus Interface Characteristics	16
5.1.3 Electrical Characteristics	17
5.1.3.1 DC Electrical Characteristics.....	17
5.1.3.2 AC Electrical Characteristics.....	17
5.1.4 Start-Up of I2C Interface	18
5.1.4.1 Startup after Power-On	18
5.1.4.2 Startup for Warm Resets.....	19
6 OPTIGA™ Trust M External Interface	21
6.1 Commands	21
6.2 Crypto Performance.....	22
7 Security Monitor	24
7.1 Security Events.....	24
7.2 Security Policy	24
8 RoHS Compliance	25
9 Appendix A – Infineon I2C Protocol Registry Map	26
9.1 Infineon I2C Protocol Variations.....	28
10 Appendix B - OPTIGA™ Trust M Command/Response I2C Sample Logs	30
10.1 Sequence of commands to read Coprocessor UID from OPTIGA™ Trust M	30
10.1.1 Check the status [I2C_STATE].....	30
10.1.2 Issue OpenApplication command	30
10.1.3 Read Coprocessor UID	31
11 Appendix C – Power Management	32
11.1 Hibernation.....	32
11.1.1 Software adaption for Hibernate circuit with single MOSFET	32
11.2 Low Power Sleep Mode	35
Revision history	37

1 Introduction

As embedded systems (e.g. IoT devices) are increasingly gaining the attention of attackers, Infineon offers the OPTIGA™ Trust M as a turnkey security solution for industrial automation systems, smart homes, consumer devices and medical devices. This high-end security controller comes with full system integration support for easy and cost-effective deployment of high-end security for your assets.

1.1 Broad range of benefits

Integrated into your device, the OPTIGA™ Trust M supports protection of your brand and business case, differentiates your product from your competitors, and adds value to your product, making it stronger against cyberattacks.

1.2 Enhanced security

The OPTIGA™ Trust M is based on an advanced security controller with built-in tamper proof NVM for secure storage and Symmetric/Asymmetric crypto engines to support ECC NIST curves up to P-521, ECC Brainpool curve up to P-512, RSA® up to 2048, AES key up to 256, HMAC up to SHA512, HKDF up to SHA512 and SHA-256. This new security technology greatly enhances your overall system security.

1.3 Fast and easy integration

The turnkey setup – with full system integration and all key/certificate material preprogrammed – reduces your efforts for design, integration and deployment to a minimum. As a turnkey solution, the OPTIGA™ Trust M comes with preprogrammed OS/Application code locked and with host-side modules to integrate with host micro controller software. The temperature range of –40°C to +105°C combined with a standardized I2C interface and the small PG-USON-10-2,-4 footprints will facilitate onboarding in your existing ecosystem. Almost 30 years in a market-leading position with nearly 20 billion security controllers shipped worldwide are the results of Infineon's strong expertise and its commitment to make security a success factor for you.

1.4 Applications

The OPTIGA™ Trust M covers a broad range of use cases necessary for many types of applications that include the following:

- a) Network node protection using Mutual Authentication such as TLS or DTLS
- b) Protect the Authenticity, Integrity and Confidentiality of your product, data and IP
- c) Secure Communication
- d) Datastore Protection
- e) Lifecycle Management
- f) Platform Integrity Protection
- g) Secure Updates

1.5 Device Features

The OPTIGA™ Trust M comes with up to 10kB of user memory that can be used to store X.509 certificates and data. OPTIGA™ Trust M is based on Common Criteria (CC) Certified EAL6+ (high) hardware enabling it to prevent physical attacks on the device itself and providing high assurance that the keys or arbitrary data stored cannot be accessed by an unauthorized entity. The CC certificate can be found at www.bsi.bund.de by searching for BSI-

OPTIGA™ Trust M

Introduction

DSZ-CC-0961 (Hardware Identifier IFX_CCI_00000Bh) and referring to the latest CC certificate. OPTIGA™ Trust M supports a highspeed I2C communication interface of up to 1MHz (FM+).

Table 1 Products for V1

Sales Code	Temperature range	Package	Description	Evaluation Kit
OPTIGA™ Trust M SLS 32AIA010MH	-40°C to +105°C Extended Temperature Range (ETR)	PG-USON- 10-2,-4	Embedded security solution for connected devices	XMC4800 IoT Connectivity Kit connected to the OPTIGA™ Trust M to connect to the outside world
OPTIGA™ Trust M SLS 32AIA010MS	-25°C to +85°C Standard Temperature Range (STR)	PG-USON- 10-2,-4		

Table 2 Products for V3

Sales Code	Temperature range	Package	Description	Evaluation Kit
OPTIGA™ Trust M SLS 32AIA010ML	-40°C to +105°C Extended Temperature Range (ETR)	PG-USON- 10-2,-4	Embedded security solution for connected devices	XMC4800 IoT Connectivity Kit connected to the OPTIGA™ Trust M to connect to the outside world.
OPTIGA™ Trust M SLS 32AIA010MK	-25°C to +85°C Standard Temperature Range (STR)	PG-USON- 10-2,-4		

Infineon and its distribution partners offer a wide range of customization options (e.g. X.509 certificate generation and key provisioning) for the security chip. For details on offered solutions (like OPTIGA™ Trust M Express), selection guide and orders, please see the following page:

<https://www.infineon.com/cms/en/product/security-smart-card-solutions/optiga-embedded-security-solutions/optiga-trust/optiga-trust-m-sls32aia/>

OPTIGA™ Trust M

Introduction

Table 3 Features

Features	Supported Curve/Algorithm	ToolBox commands	V1	V3
ECC	ECC NIST P256/384	Sign, Verify, Key generation, and ECDH(E)	✓	✓
	ECC NIST P521, ECC Brainpool P256/384/512 r1	Sign, Verify, Key generation, and ECDH(E)		✓
RSA®	RSA® 1024/2048	Sign, Verify, Key generation, Encrypt and Decrypt	✓	✓
Key Derivation	TLS v1.2 PRF SHA 256	TLS PRF using SHA 256	✓	✓
	TLS v1.2 PRF SHA 384/512	TLS PRF using SHA 256/384/512		✓
	HKDF SHA-256/384/512	HKDF using SHA256/384/512		✓
AES	Key size - 128/192/256 (ECB, CBC, CBC-MAC, CMAC)	Key generation, Encrypt and Decrypt		✓
Random generation	TRNG, DRNG, Pre-Master secret for RSA® Key exchange	Generate random	✓	✓
HMAC	HMAC with SHA256/384/512	HMAC generation and Verification		✓
Hash	SHA 256	Hash generation	✓	✓
Protected data (object) update (Integrity)	ECC NIST P256/384 RSA® 1024/2048 Signature scheme as ECDSA FIPS 186-3/RSA SSA PKCS#1 v1.5 without hashing	Secure data object update	✓	✓
	ECC NIST P521, ECC Brainpool P256/384/512 r1 Signature scheme as ECDSA FIPS 186-3/RSA SSA PKCS#1 v1.5 without hashing	Secure data object update		✓
Protected Data/key/metadata update (Integrity and/or confidentiality)	ECC NIST P256/384/512 ECC Brainpool P256/384/512 r1 RSA® 1024/2048 Signature scheme as ECDSA FIPS 186-3/RSA SSA PKCS#1 v1.5 without hashing	Secure data/key object update and metadata update for Data/key object		✓

OPTIGA™ Trust M

Introduction

Table 4 Abbreviations

Abbreviation	Definition
AES	Advanced Encryption Standard
API	Application Programming Interface
BP	Brainpool
CA	Certification Authority
CC	Common Criteria
DRNG	Deterministic Random Number Generator
DTLS	Datagram Transport Layer Security
EAL	Evaluation Assurance Level
ECB	Electronic Code Book
ECC	Elliptic Curve Cryptography
ECDH	Elliptic Curve Diffie Hellman
ECDSA	Elliptic Curve Digital Signature Algorithm
ETR	Extended Temperature Range
CBC	Cipher block chaining
CBC-MAC	Cipher block chaining message authentication code
CMAC	Cipher-based message authentication code
HKDF	Hash-based key derivation function
I2C	Inter-Integrated Circuit
IETF	Internet Engineering Task Force
IFX	Infineon
IOT	Internet of Things
IP	Intellectual Property
NIST	National Institute of Standards and Technology
OS	Operating System
PAL	Platform Abstraction Layer
PKI	Public Key Infrastructure
RFC	Request For Comments
SHA	Secure Hash Algorithm
SKU	Stock Keeping Unit
STR	Standard Temperature Range
TLS	Transport Layer Security
TRNG	True Random Number Generator
USB	Universal Serial Bus
HMAC	Hash based Message Authentication Code

OPTIGA™ Trust M

System Block Diagram

2 System Block Diagram

The following figure depicts the system block diagram for OPTIGA™ Trust M.

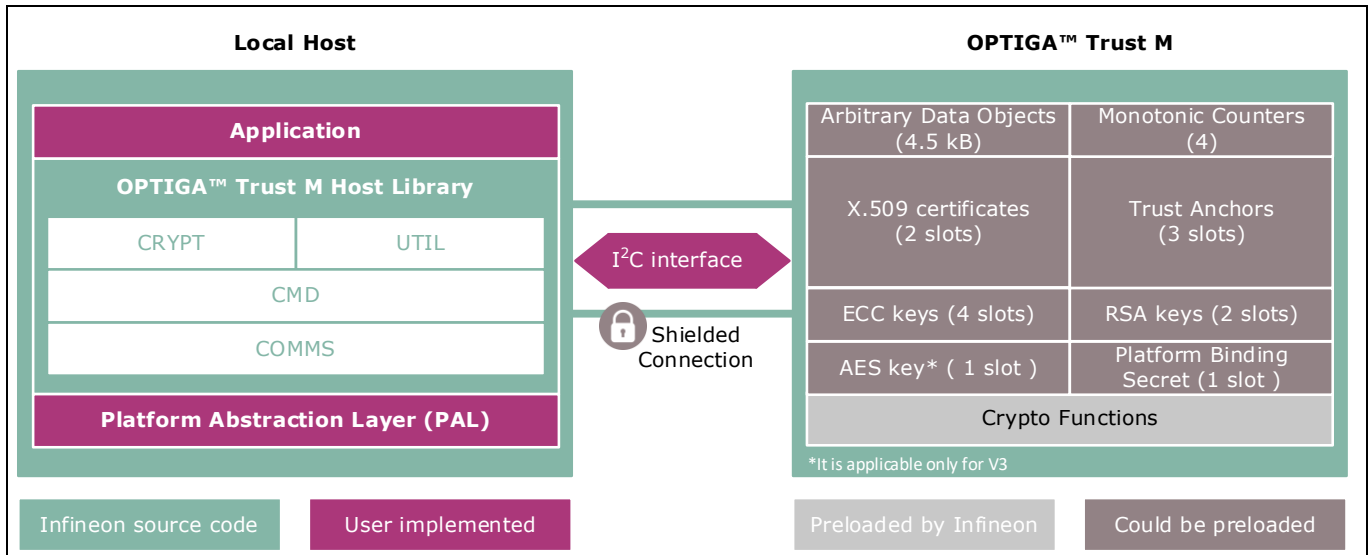


Figure 1 System Block Diagram

The System Block Diagram is explained below for each layer.

1. Local Host

- Local Host Application – This is the target application which utilizes OPTIGA™ Trust M for its security needs
- OPTIGA™ Trust M Host Library
 - CRYPT – Provides APIs to perform cryptographic functionalities. Any TLS stack can be integrated on Local Host as part of 3rd party Crypto Library to offload crypto operations to OPTIGA™ Trust M.
 - UTIL – Provides APIs such as read/write, protected update of data, metadata, key objects and open/close application (e.g. Hibernate)
 - CMD – Provides APIs to send and receive commands (Section 6) to and from OPTIGA™ Trust M
 - COMMS – Provides wrapper APIs for communication (optional encrypted communication using Shielded Connection) with OPTIGA™ Trust M which internally uses Infineon I2C Protocol (IFX I2C)
- PAL – A layer that abstracts platform specific drivers (e.g. I2C, Timer, GPIO, platform crypto library etc.)

2. OPTIGA™ Trust M

- Arbitrary Data Objects – The target application can store up to 4.5kB (~4600 bytes) of data into OPTIGA™ Trust M. The data could be additional Trust Anchors, certificates and shared secret.
- Monotonic Counters - Provides 4 monotonic counting data objects (up counters). These can be used as general purpose counter or as linked counter to other objects.
For more information, please refer to Solution Reference Manual document available as part of the package.
- X.509 – Up to 4 X.509 based Certificates can be stored
- Keys – Up to 4 ECC , 2 RSA and 1 AES based keys can be stored

OPTIGA™ Trust M

System Block Diagram

- Secret – 1 Platform binding secret can be stored
- Trust Anchors – 3 slots, for Mutual Authentication (TLS/DTLS) and Firmware Updates can be stored
- Crypto Functions - OPTIGA™ Trust M provides cryptographic functions that can be invoked via local host

Note: Unique AES key, ECC/RSA private keys and X.509 Certificates – During production at Infineon fab, unique asymmetric keys (private and public) are generated and symmetric key/shared secrets are provisioned. The public key is signed by customer specific CA and the resulting X.509 certificate issued is securely stored in the OPTIGA™ Trust M. Special measures are taken to prevent the leakage and modification of private key/shared secret material at the Common Criteria Certified production site

OPTIGA™ Trust M

Interface and Schematics

3 Interface and Schematics

The following figure illustrates how to integrate OPTIGA™ Trust M with your local host.

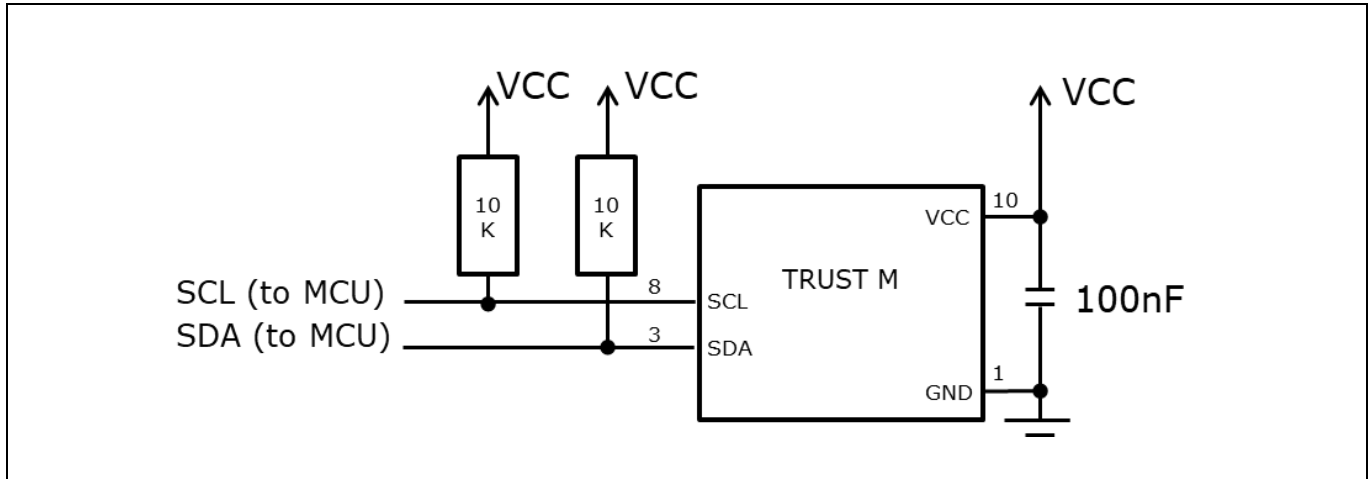


Figure 2 System Integration Schematic Diagram

Note: The OPTIGA™ Trust M can be integrated with IFX I2C reset option as soft reset (IFX_I2C_SOFT_RESET), or hardware reset. Value of the pullup resistors depend on the target application circuit and the target I2C frequency.

3.1 System Integration Schematics with Hibernation support

The following figure illustrates how to integrate OPTIGA™ Trust M with hibernation, with local host GPIO used as VCC.

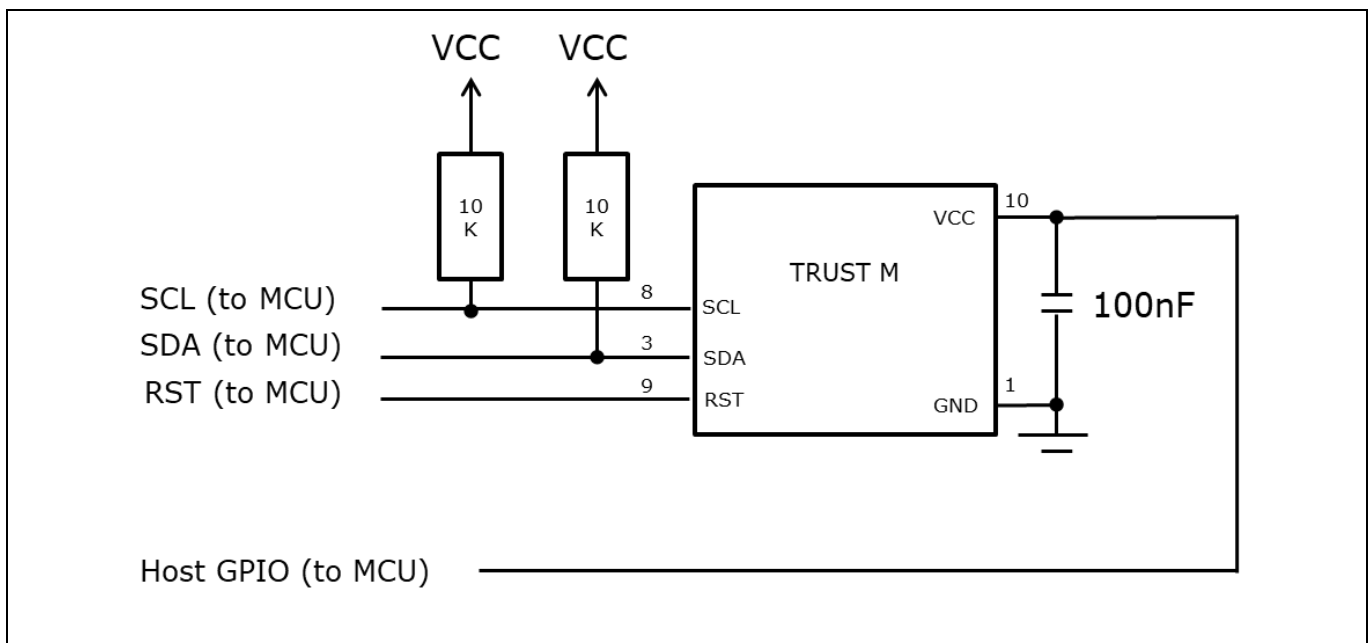


Figure 3 System Integration Schematic Diagram with Hibernation – GPIO as VCC

Note: The Host GPIO pin must have sufficient current to drive the supply current, as per Table 11. Value of the pullup resistors depend on the target application circuit and the target I2C frequency.

OPTIGA™ Trust M

Interface and Schematics

If the host GPIO doesn't supply sufficient current to OPTIGA, additional MOSFET switching circuitry is needed to control the power supply (VCC). The below circuit diagrams depicts the options to control the power supply (VCC) using GPIO from Host with the switching logic.

The following figure illustrates how to integrate OPTIGA™ Trust M with hibernation, with local host GPIO using single MOSFET to switch the VCC.

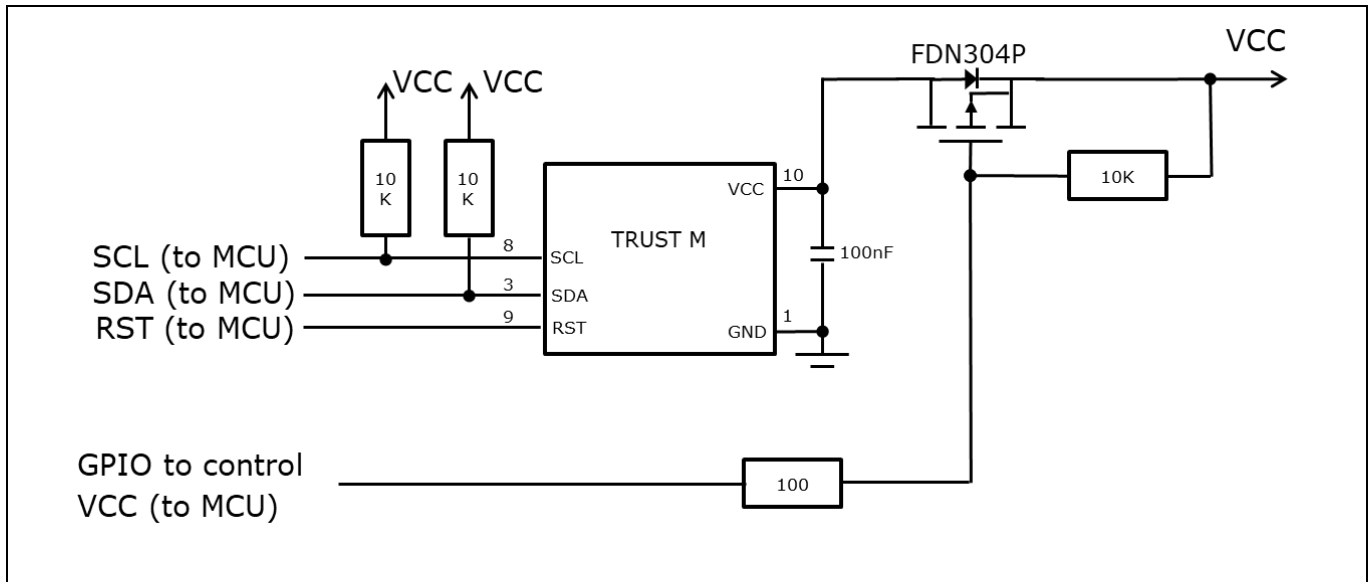


Figure 4 System Integration Schematic Diagram with Hibernation - GPIO controlled VCC (Single MOSFET switch)

Note: Due to the single P channel MOSFET (FDN304P) behavior, GPIO must be connected and drive the pin to LOW to enable the VCC supply to OPTIGA™ Trust M. This adaption must be done in the optiga host library (ifx_i2c.c), refer 11.1.1 for details. Value of the pullup resistors depend on the target application circuit and the target I2C frequency.

The following figure illustrates how to integrate OPTIGA™ Trust M with hibernation, with local host using two MOSFET to switch the VCC.

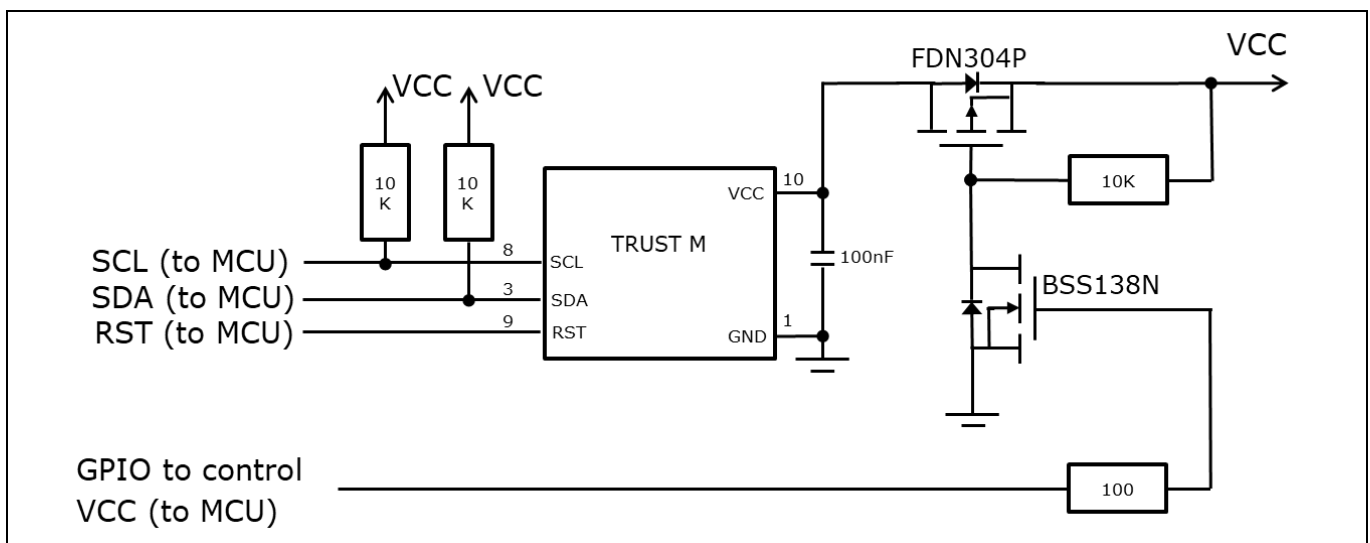


Figure 5 System Integration Schematic Diagram with Hibernation - GPIO controlled VCC (Dual MOSFET switch)

OPTIGA™ Trust M

Interface and Schematics

Note: Value of the pullup resistors depend on the target application circuit and the target I2C frequency. If GPIO pin is connected, set the GPIO pin to HIGH to enable the VCC to OPTIGA™ Trust M.

4 Description of packages

This chapter provides information on the package types and how the interfaces of each product are assigned to the package pins. For further information on compliance of the packages with European Parliament Directives, see “RoHS Compliance” on Page 25.

For details and recommendations regarding the assembly of packages on PCBs, please see the following: <http://www.infineon.com/cms/en/product/technology/packages/>

4.1 PG-USON-10-2,-4

The package dimensions (in mm) of the controller in PG-USON-10-2,-4 packages are given below.

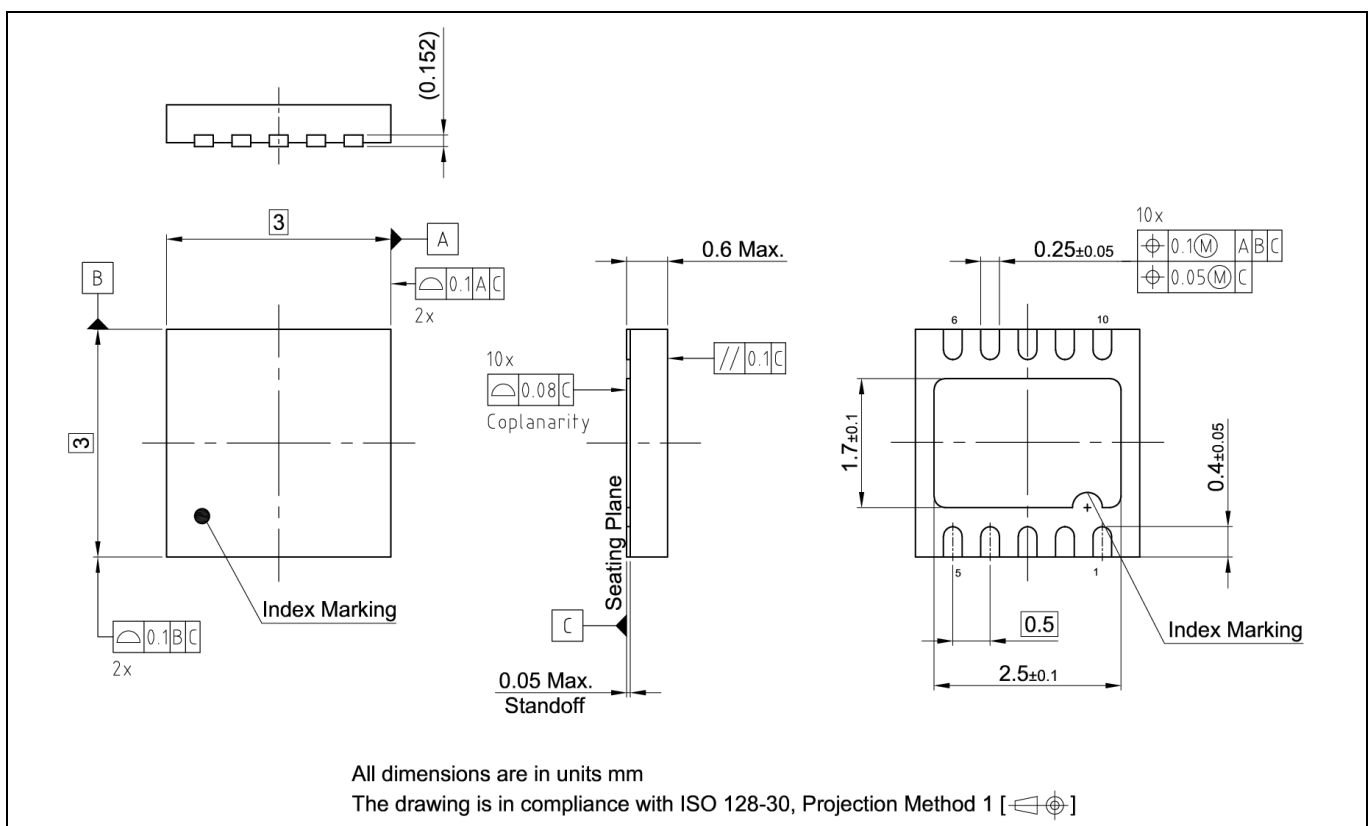


Figure 6 PG-USON-10-2,-4 Package Outline

OPTIGA™ Trust M

Description of packages

The following figure shows the PG-USON-10-2,-4 in top view:

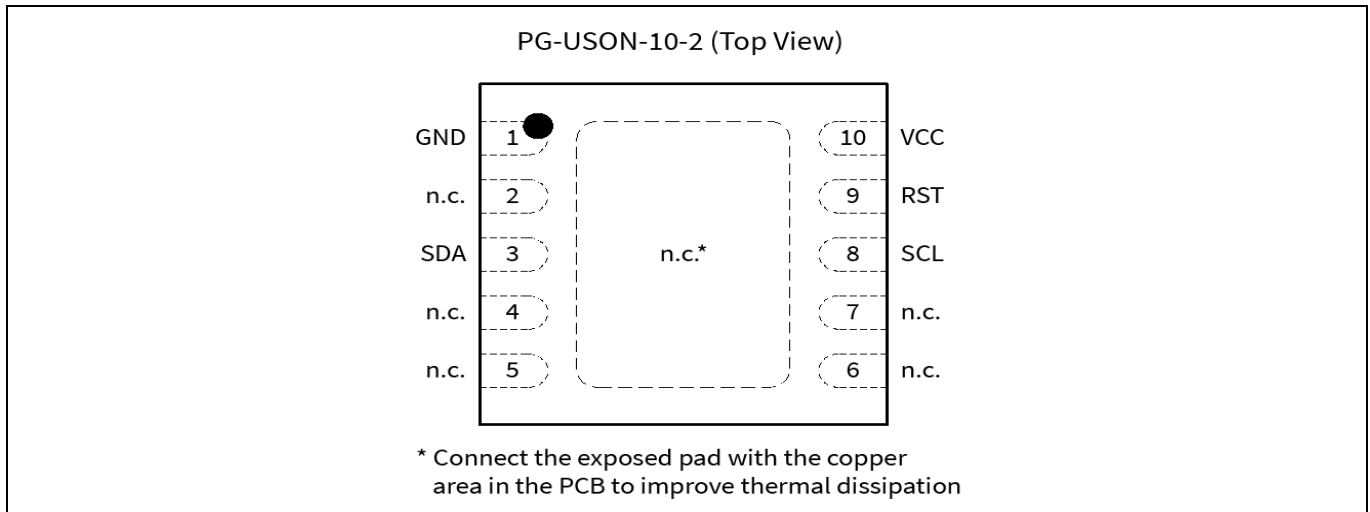


Figure 7 PG-USON-10-2,-4 top view

4.2 Production sample marking pattern

The following figure describes the productive sample marking pattern on PG-USON-10-2,-4.

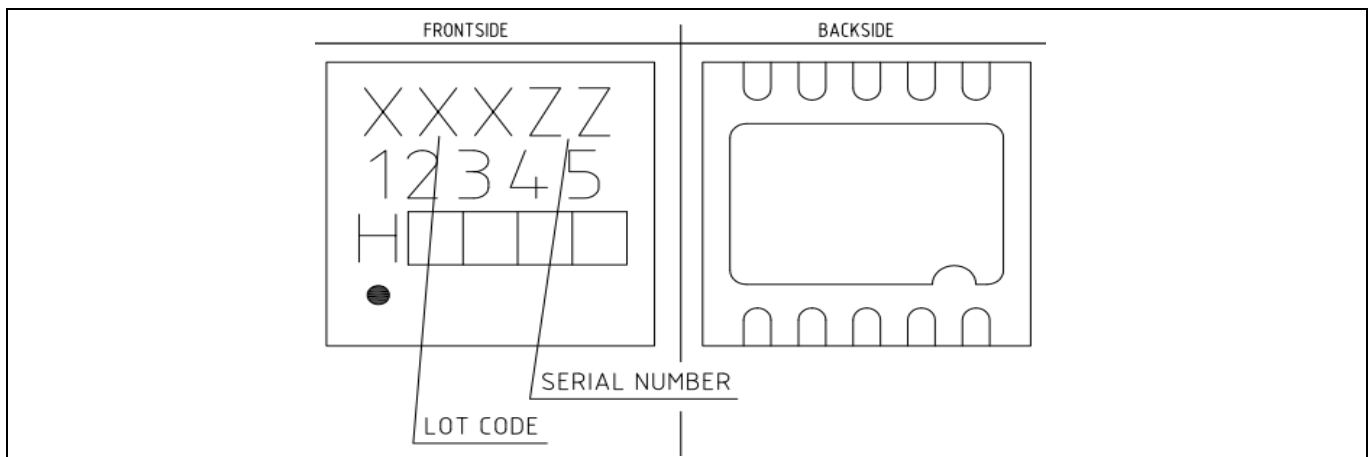


Figure 8 PG-USON-10-2,-4 sample marking pattern

The black dot indicates pin 01 for the chip. The following [Table 5](#) describes the sample marking pattern:

Table 5 Marking table for PG-USON-10-2,-4 packages

Indicator	Description
LOT CODE	Defined and inserted during fabrication
ZZ	Indicates the Certifying Authority Serial Number / SKU#, e.g. "00" would mean "SKU#00"
H/E	H = "Halogen-free", E = "Engineering samples" This indicator is followed by "YYWW", where YY is the "Year" and WW is the "Work Week" of the production. This is inserted during fabrication. Engineering samples have "E YYWW" and productive samples have "H YYWW"

OPTIGA™ Trust M

Description of packages

Indicator	Description
12345	<p>Convention: T#&\$@ where:</p> <ul style="list-style-type: none"> • The letter "T" indicates the OPTIGA Trust family • & indicates the product is a Trust M controller • # indicates the controller is a STR (S) variant • \$ specifies the OPTIGA™ Trust M release version number • @ specifies the software version <p>Example: "TMS10" means 'OPTIGA™ Trust M', 'STR variant', 'release version 1', 'software version 0'</p>

The contacts and their functionality are given in the [Table 6](#) below.

Table 6 Contact definitions and functions of PG-USON-10-2,-4 packages

Pin	Type	Function
01	GND	Supply voltage (Ground)
02	NC	Not connected / Do not connect externally
03	I/O	Serial Data Line (SDA)
04	NC	Not connected / Do not connect externally
05	NC	Not connected / Do not connect externally
06	NC	Not connected / Do not connect externally
07	NC	Not connected / Do not connect externally
08	I/O	Serial Clock Line (SCL)
09	IN	Active Low Reset (RST)
10	PWR	Supply voltage (V_{CC})

5 Technical Data

This section summarizes the technical data of the product. It provides the operational characteristics as well as the electrical DC and AC characteristics.

5.1 I2C Interface Characteristics

Table 7 I2C Operation Supply and Input Voltages

Parameter	Symbol	Values			Unit	Note or Test Condition
		Min.	Typ.	Max.		
Supply voltage	V_{CC_I2C}	1.62	–	5.5	V	
SDA, SCL input voltage	V_{IN_I2C}	–0.3	–	$V_{CC_I2C} + 0.5$ or 5.5 ¹	V	V_{CC_I2C} is in the operational supply range
		–0.3	–	5.5	V	V_{CC_I2C} is switched off

1) Whichever is lower

5.1.1 I2C Standard/Fast Mode Interface Characteristics

For operation of the I2C interface, the electrical characteristics are compliant with the I²C bus specification Rev. 4 for "standard-mode" (f_{SCL} up to 100 kHz) and "fast-mode" (f_{SCL} up to 400 kHz), with certain deviations as stated in the table below.

Note: T_A as given for the operating temperature range of the controller unless otherwise stated.

Table 8 I2C Standard Mode Interface Characteristics

Parameter	Symbol	Values			Unit	Note or Test Condition
		Min.	Typ.	Max.		
SCL clock frequency	f_{SCL}	0	–	100	kHz	
Input low-level	V_{IL}	–0.3	–	$0.3 * V_{CC_I2C}$	V	
Low-level output voltage	V_{OL1}	0	–	0.4	V	Sink current 3 mA; $V_{CC_I2C} \geq 2.7$ V Sink current 2 mA; $V_{CC_I2C} < 2.7$ V
Low-level output current	I_{OL}	3 2	–	–	mA	$V_{OL} = 0.4$ V; $V_{CC_I2C} \geq 2.7$ V $V_{OL} = 0.4$ V; $V_{CC_I2C} < 2.7$ V
Output fall time from V_{IHmin} to V_{ILmax} (at device pin)	t_{OF}	–	–	250	ns	$C_b \leq 400$ pF; $V_{CC_I2C} \geq 2.7$ V $C_b \leq 200$ pF; $V_{CC_I2C} < 2.7$ V
Capacitive load for each bus line	C_b	–	–	400	pF	$V_{CC_I2C} \geq 2.7$ V $V_{CC_I2C} < 2.7$ V
				200		

Table 9 I2C Fast Mode Interface Characteristics

Parameter	Symbol	Values			Unit	Note or Test Condition
		Min.	Typ.	Max.		
SCL clock frequency	f_{SCL}	0	–	400	kHz	
Input low-level	V_{IL}	–0.3	–	$0.3 * V_{CC_I2C}$	V	
Low-level output voltage	V_{OL1}	0	–	0.4	V	Sink current 3 mA; $V_{CC_I2C} \geq 2.7 V$ Sink current 2 mA; $V_{CC_I2C} < 2.7 V$
Low-level output current	I_{OL}	3 2	–	–	mA	$V_{OL} = 0.4 V; V_{CC_I2C} \geq 2.7 V$ $V_{OL} = 0.4 V; V_{CC_I2C} < 2.7 V$
Output fall time from V_{IHmin} to V_{ILmax} (at device pin)	t_{OF}	20 * $V_{CC_I2C} / 5.5 V^1$	–	250	ns	$C_b \leq 400 pF; V_{CC_I2C} \geq 2.7 V$ $C_b \leq 200 pF; V_{CC_I2C} < 2.7 V$
Capacitive load for each bus line	C_b	15 ²	–	400 200	pF	$V_{CC_I2C} \geq 2.7 V$ $V_{CC_I2C} < 2.7 V$

1) A min. capacitive load is necessary to reach t_{OF}

2) A min. capacitive load is necessary to reach t_{rmin}

5.1.2 I2C Fast Mode Plus Interface Characteristics

For operation of the I2C interface, the electrical characteristics are compliant with the I²C bus specification Rev. 4 for "fast mode plus" (f_{SCL} up to 1 MHz), with certain deviations as stated in the table below.

Note: T_A as given for the operating temperature range of the controller unless otherwise stated.

Table 10 I2C Fast Mode Plus Interface Characteristics

Parameter	Symbol	Values			Unit	Note or Test Condition
		Min.	Typ.	Max.		
SCL clock frequency	f_{SCL}	0	–	1000	kHz	
Input low-level	V_{IL}	–0.3	–	$0.3 * V_{CC_I2C}$	V	
Low-level output voltage	V_{OL1}	0	–	0.4	V	Sink current 3 mA; $V_{CC_I2C} \geq 2.7 V$ Sink current 2 mA; $V_{CC_I2C} < 2.7 V$
Low-level output current	I_{OL}	3 2	–	–	mA	$V_{OL} = 0.4 V; V_{CC_I2C} \geq 2.7 V$ $V_{OL} = 0.4 V; V_{CC_I2C} < 2.7 V$
Output fall time from V_{IHmin} to V_{ILmax} (at device pin)	t_{OF}	20 * $V_{CC_I2C} / 5.5 V^1$	–	120	ns	$C_b \leq 150 pF$
Capacitive load for each bus line	C_b	15 ¹	–	150	pF	

1) A min. capacitive load is necessary to reach t_{OF}

5.1.3 Electrical Characteristics

Note: T_A as given for the operating temperature range of the controller unless otherwise stated. All currents flowing into the controller are considered positive.

5.1.3.1 DC Electrical Characteristics

T_A as given for the controller's operating ambient temperature range unless otherwise stated.

All currents flowing into the controller are considered positive.

Table 11 Electrical Characteristics

Parameter	Symbol	Values			Unit	Note or Test Condition
		Min.	Typ.	Max.		
Supply voltage	V_{CC}	1.62	–	5.5	V	Overall functional range
	V_{CC_I2C}	1.62	–	5.5	V	Supply voltage range for operation of I2C
Supply current ¹	I_{CCAVG}	–	14.0	–	mA	While running a typical authentication profile $T_A = 25^\circ\text{C}$; $V_{CC} = 5.0\text{ V}$
Supply current, in sleep mode	I_{CCS3}	–	70	100	μA	$T_A = 25^\circ\text{C}$; $V_{CC_I2C} = 3.3\text{ V}$; I2C ready for operation (no bus activity), all other inputs at V_{CC} , no other interface activity
RST input low voltage	V_{IL}	–0.3	–	$0.3 * V_{CC}$	V	$I_{IL} = -50\ \mu\text{A}$ to $+20\ \mu\text{A}$
RST input high voltage	V_{IH}	$0.7 * V_{CC}$	–	$V_{CC} + 0.3$	V	$I_{IL} = -50\ \mu\text{A}$ to $+20\ \mu\text{A}$
Hibernate current	–	–	< 2.5	–	μA	$V_{CC} = 0\text{ V}$, $\text{GND} = 0\text{ V}$, $\text{RST} = 0\text{ V}$, $\text{SCL} = 3.3\text{ V}$ and $\text{SCL} = 3.3\text{ V}$

1) Supply current can be limited from 6mA to 15mA by software commands.

5.1.3.2 AC Electrical Characteristics

T_A as given for the controller's operating ambient temperature range unless otherwise stated.

All currents flowing into the controller are considered positive.

Table 12 AC Characteristics

Parameter	Symbol	Values			Unit	Note or Test Condition
		Min.	Typ.	Max.		
V_{CC} rampup time	t_{VCCR}	1	–	1000	μs	400 mV to 90% of V_{CC} target voltage ramp

The V_{CC} ramp is depicted in [Figure 9](#). 90% of the target supply voltage must be reached within t_{VCCR} after it has exceeded 400 mV. Moreover, its variation must be kept within a $\pm 10\%$ range.

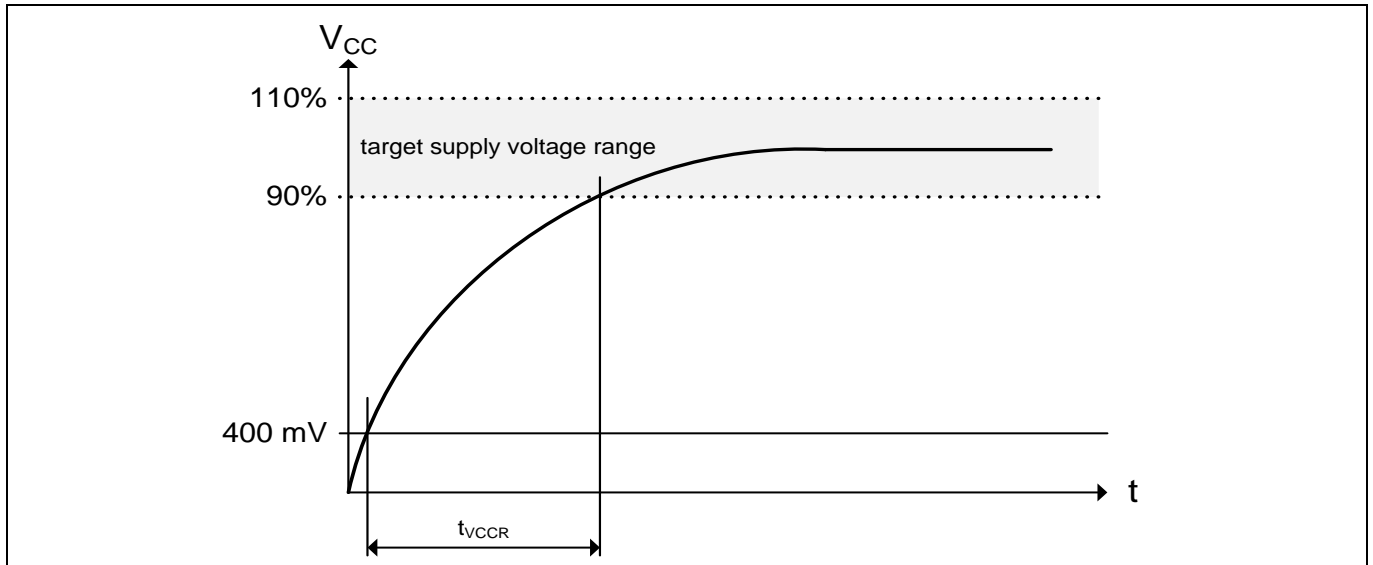


Figure 9 **V_{CC} Rampup**

5.1.4 Start-Up of I2C Interface

There are 2 variants possible for performing the startup procedure:

- Startup after power-on
- Startup for warm resets

5.1.4.1 Startup after Power-On

The activation of the I2C interface after power-on needs the following reset procedure.

- VCC is powered up and the state of the SDA and SCL line are set to high level during power-up
- The first transmission may start at the earliest $t_{STARTUP}$ after power-up of the device

The following figure shows the startup timing of the I2C interface for this case.

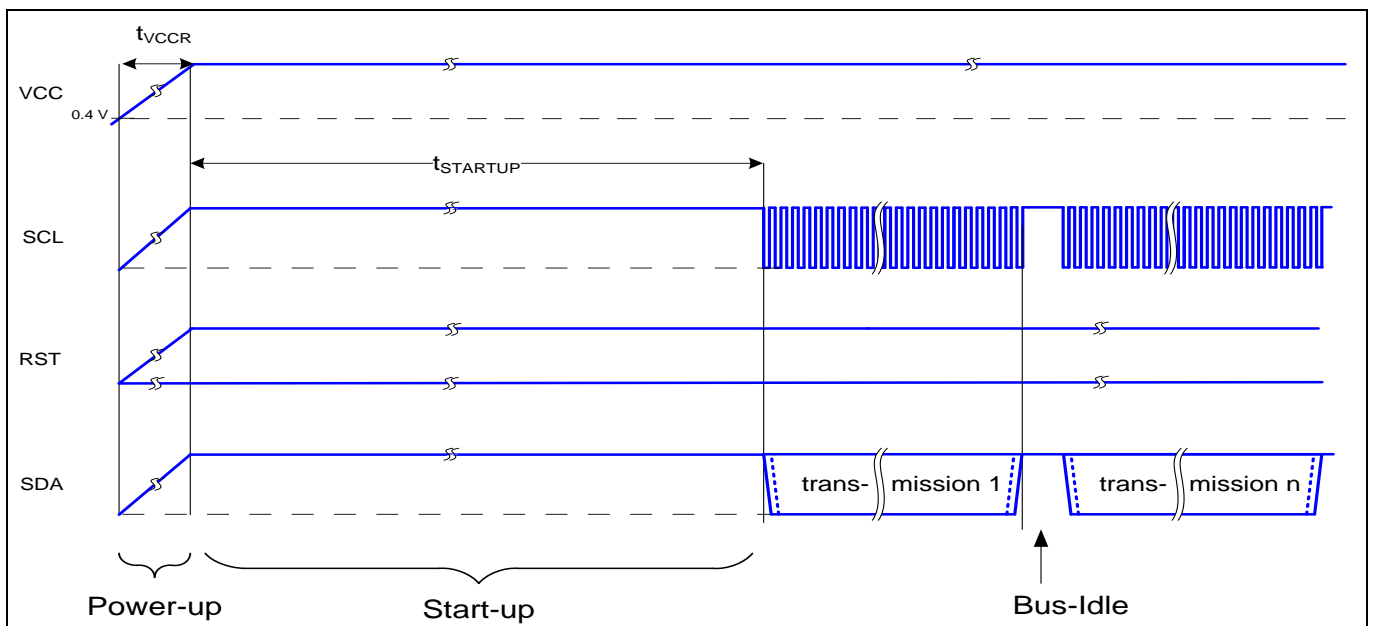


Figure 10 **Startup of I2C Interface after Power-On**

Table 13 Startup of I2C Interface After Power-On

Parameter	Symbol	Values			Unit	Note or Test Condition
		Min.	Typ.	Max.		
Startup time	$t_{STARTUP}$	15	–	–	ms	

5.1.4.2 Startup for Warm Resets

When using the reset signal for triggering a warm reset after power-on, the activation of the I2C interface needs the following reset procedure

- VCC remains powered up.
- The terminal stops I2C communication. SDA and SCL lines are set to high level before RST is set to low level.
- After its falling edge, RST has to be kept at low level for at least t_1 . At the latest t_2 after the falling edge of RST, the terminal must set RST to high level.
- The first transmission may start at the earliest $t_{STARTUP}$ after the rising edge of RST

The following figure shows the timing for this startup case.

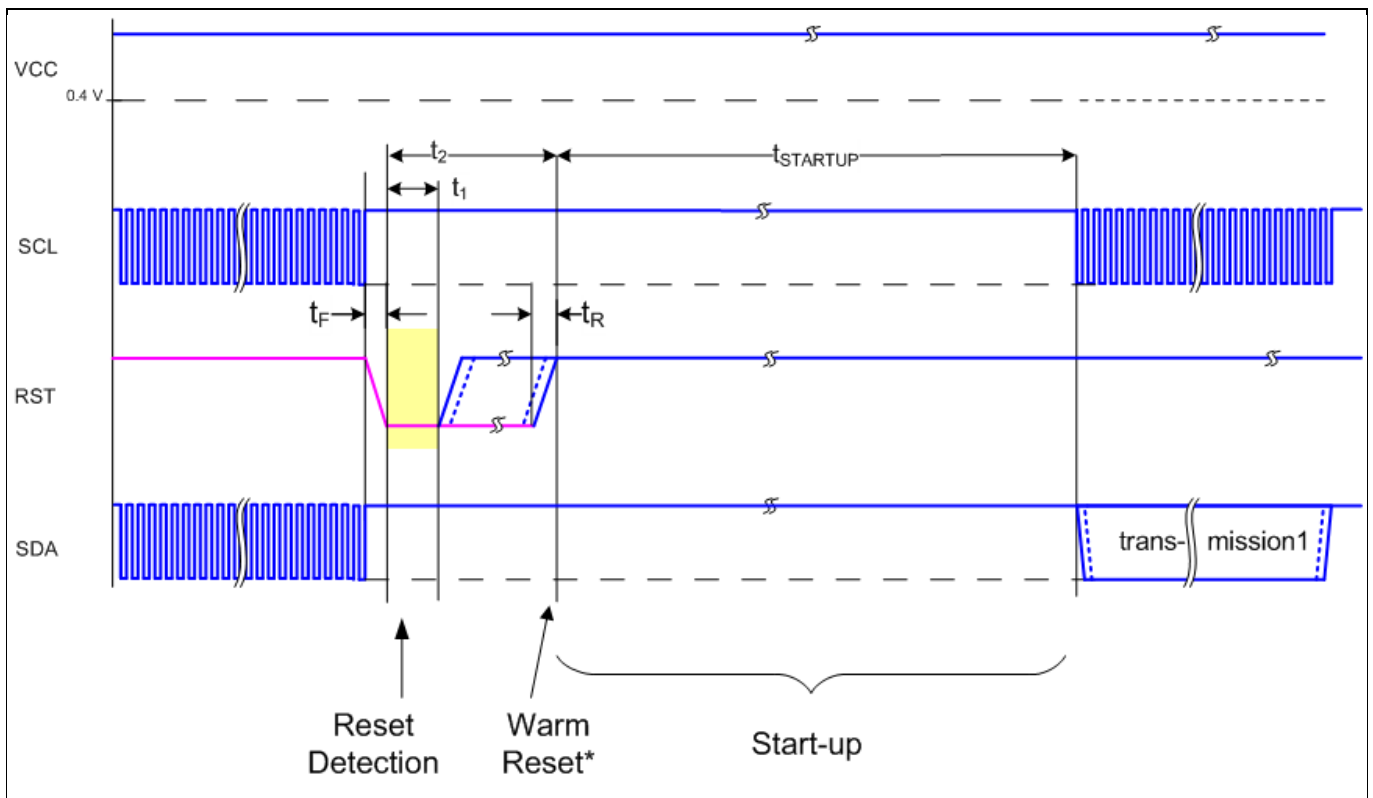


Figure 11 Startup of I2C Interface for Warm Resets

Note: If NVM programming was requested prior to the reset, $t_{STARTUP}$ will be extended from a typical value of 15 ms to a maximum of 20 ms.

OPTIGA™ Trust M

Technical Data

Table 14 Startup of I2C Interface for Warm Resets¹

Parameter	Symbol	Values			Unit	Note or Test Condition
		Min.	Typ.	Max.		
Startup time	t_{STARTUP}	15	–	–	ms	
Rise time	t_{R}	–	–	1	μs	From 10% to 90% of signal amplitude
Fall time	t_{F}	–	–	1	μs	From 10% to 90% of signal amplitude
Reset detection	t_1	10	–	–	μs	
Reset low		10	–	2500	μs	

1) Reset triggered by software (without power off/on cycle)

OPTIGA™ Trust M

OPTIGA™ Trust M External Interface

6 OPTIGA™ Trust M External Interface

6.1 Commands

This section provides short description of the commands exposed by the OPTIGA™ Trust M security chip and mapping of these commands w.r.t Use Cases.

Table 15 Command table

Command Name	Description	V1	V3
OpenApplication	Command to launch an application	✓	✓
CloseApplication	Command to close/hibernate an application	✓	✓
GetDataObject	Command to get (read) a data object	✓	✓
SetDataObject	Command to set (write) a data object	✓	✓
SetObjectProtected	Command to set (write) data protected (integrity protection)	✓	✓
SetObjectProtected	Command to set (write) data/key objects and its metadata protected (integrity protection, confidentiality)		✓
GetRandom	Command to generate a random stream	✓	✓
CalcHash	Command to calculate a Hash	✓	✓
CalcSign	Command to calculate a signature	✓	✓
VerifySign	Command to verify a signature	✓	✓
CalcSSec	Command to execute a Diffie-Hellmann key agreement	✓	✓
DeriveKey	Command to derive keys	✓	✓
GenKeyPair	Command to generate public/private key pairs	✓	✓
EncryptAsym	Command to encrypt (Asymmetric) a message	✓	✓
DecryptAsym	Command to decrypt (Asymmetric) a message	✓	✓
EncryptSym	Command to encrypt (Symmetric) a message		✓
DecryptSym	Command to decrypt (Symmetric) a message		✓
GenSymKey	Command to generate a symmetric key		✓

Table 16 Mapping of commands with Use cases

Use Case	OPTIGA™ Trust M commands used
Secure Communication with (D)TLS	GetRandom, CalcHash, CalcSign, VerifySign, CalcSSec, DeriveKey, GenKeyPair, EncryptAsym and DecryptAsym
Datastore (user memory ~ 4.5kB)	GetDataObject and SetDataObject
Symmetric key attestation, Security Tokens	EncryptSym and DecryptSym ¹
Secure Firmware Update	VerifySign and DeriveKey
Secure update of Trust Anchors and Keys ² on Security Chip	SetObjectProtected command

¹ EncryptSym and DecryptSym is supported only in v3

² Secure key update is supported only in v3

OPTIGA™ Trust M

OPTIGA™ Trust M External Interface

6.2 Crypto Performance

The performance metrics for various schemes are provided by the [Table 18](#) below. If not particularly mentioned, the performance is measured @ OPTIGA™ Trust M I/O interface with:

- I2C FM (400KHz)
- Without power limitation
- @ 25°C
- VCC = 3.3V
- RSA Signature scheme: RSA SSA PKCS#1 v1.5 without hashing
- ECDSA Signature scheme: ECDSA FIPS 186-3 without hashing
- Encryption/Decryption scheme: RSAES PKCS#1 v1.5
- Hash scheme: SHA256
- Key Derivation scheme: TLS v1.2 PRF SHA256, HKDF SHA256
- RSA Key size: 2048 bits
- ECC Key size: 256 bits (NIST P-256)
- AES Key size: 128 bits

Table 17 Crypto performance for V1

Scheme	Algorithm	Performance in ms ¹	Performance with Shielded Connection in ms ¹	Notes
Calculate signature	ECDSA	~ 60	~ 65	<ul style="list-style-type: none"> • ECC NIST P 256 • No data hashing
	RSA	~ 310	~ 315	<ul style="list-style-type: none"> • 2048 bit exponential • No data hashing
Verify signature	ECDSA	~ 85	~ 90	<ul style="list-style-type: none"> • ECC NIST P 256 provided by external world • No data hashing
	RSA	~ 45	~ 55	<ul style="list-style-type: none"> • 2048 bit exponential provided by external world • No data hashing
Diffie-Hellman key agreement	ECC	~ 60	~ 65	Based on ephemeral key pair
Key pair generation	ECC	~ 75	~ 80	Generate 256 bit ECC key pair
	RSA	~ 2900 ²	~ 2910	Generate 2048 bit RSA key pair
Encryption	RSA	~ 30	~ 45	Encrypt 127 bytes
Decryption	RSA	~ 310	~ 320	Decrypt 127 bytes
Key derivation	PRF as per TLS v1.2	~ 50	~ 55	<ul style="list-style-type: none"> • To derive a key of 40 bytes • Shared secret (32 bytes) from session context and • The input key derivation data size is 48 bytes
Hash calculation	SHA256	~ 12 Kbyte/s	~ 11 Kbyte/s	In blocks of 1280 bytes

¹Minimum Execution of the entire sequence in milli seconds, except the External World timings

²RSA key pair generation performance is not predictable and typically have a variation in performance. This could be significantly higher or lower as the one specified in the table which is an average value over collected samples.

OPTIGA™ Trust M

OPTIGA™ Trust M External Interface

Table 18 Crypto performance for V3

Scheme	Algorithm	Performance in ms ¹	Performance with Shielded Connection in ms ¹	Notes
Calculate signature	ECDSA	~ 65	~ 70	<ul style="list-style-type: none"> ECC NIST P 256 No data hashing
	RSA	~ 310	~ 320	<ul style="list-style-type: none"> 2048 bit exponential No data hashing
Verify signature	ECDSA	~ 85	~ 95	<ul style="list-style-type: none"> ECC NIST P 256 provided by external world No data hashing
	RSA	~ 40	~ 50	<ul style="list-style-type: none"> 2048 bit exponential provided by external world No data hashing
Diffie-Hellman key agreement	ECDH	~ 60	~ 65	Based on ephemeral key pair
Key pair generation	ECC	~ 55	~ 60	Generate 256 bit ECC key pair in session
	RSA	~ 2900 ²	~ 2910	Generate 2048 bit RSA key pair
Encryption	RSA	~ 40	~ 50	Encrypt 127 bytes
Decryption	RSA	~ 315	~ 325	Decrypt 127 bytes
Encryption	AES-128	~ 28	~ 35	Encrypt 256 bytes, ECB mode
Decryption	AES-128	~ 35	~ 42	Decrypt 256 bytes, ECB mode
Key derivation	PRF as per TLS v1.2	~ 50	~ 55	<ul style="list-style-type: none"> To derive a key of 40 bytes Shared secret (32 bytes) from session context and The input key derivation data size is 48 bytes
Key derivation	HKDF with SHA256	~ 130	~ 135	Using a pre-shared secret from a data object
HMAC	HMAC with SHA256	~ 90	~ 95	Using a pre-shared secret from a data object and 128 bytes of input data
Hash calculation	SHA256	~ 15 Kbyte/s	~ 14 Kbyte/s	In blocks of 1280 bytes

¹Minimum Execution of the entire sequence in milli seconds, except the External World timings

²RSA key pair generation performance is not predictable and typically have a variation in performance. This could be significantly higher or lower as the one specified in the table which is an average value over collected samples.

OPTIGA™ Trust M Security Monitor

7 Security Monitor

The Security Monitor is a central component which enforces the security policy of the OPTIGA™ Trust M. It consumes security events sent by security aware parts of the OPTIGA™ Trust M embedded SW and takes actions accordingly as specified in Security Policy below.

7.1 Security Events

The events below actively influence the security monitor.

Table 19 Security Events

Event	Description
Decryption Failure	This event occurs in case a decryption and/or integrity check of provided data lead to a failure during protected update
Key Derivation	This event occurs in case the DeriveKey command gets applied on a persistent data object (not volatile data object as session context). In that case the persistent data object gets used as pre-shared secret.
Private Key Use	This event occurs in case the internal services are going to use an OPTIGA™ Trust M hosted private key.
Secret Key Use	This event occurs in case the internal services are going to use a OPTIGA™ hosted secret (symmetric) key (once per respective command), except temporary keys from session context are used.
Suspect System Behavior	This event occurs in case the embedded software detects inconsistencies with the expected behavior of the system. Those inconsistencies might be redundant information which doesn't fit to their counterpart.

7.2 Security Policy

Security Monitor judges the notified security events regarding the number of occurrence over time and in case those violate the permitted usage profile of the system takes actions to throttle down the performance and thus the possible frequency of attacks.

The permitted usage profile is defined as:

1. t_{max} is set to 5 seconds ($\pm 5\%$)
2. A Suspect System Behavior event is never permitted and will cause setting the Security Event Counter (SEC) to its maximum (= 255).
3. One protected operation (refer to [Table 19](#)) events per t_{max} period.

In other words it must not allow more than one out of the protected operations per t_{max} period (worst case, ref to bullet 3. above). This condition must be stable, at least after 500 uninterrupted executions of protected operations.

For more information, please refer to Solution Reference Manual document available as part of the package.

8 RoHS Compliance

On January 27, 2003 the European Parliament and the council adopted the directives:

- 2002/95/EC on the Restriction of the use of certain Hazardous Substances in electrical and electronic equipment ("RoHS")
- 2002/96/EC on Waste Electrical and Electrical and Electronic Equipment ("WEEE")

Some of these restricted (lead) or recycling-relevant (brominated flame retardants) substances are currently found in the terminations (e.g. lead finish, bumps, balls) and substrate materials or mold compounds.

The European Union has finalized the Directives. It is the member states' task to convert these Directives into national laws. Most national laws are available, some member states have extended timelines for implementation. The laws arising from these Directives have come into force in 2006 or 2007.

The electro and electronic industry has to eliminate lead and other hazardous materials from their products. In addition, discussions are on-going with regard to the separate recycling of certain materials, e.g. plastic containing brominated flame retardants.

Infineon Technologies is fully committed to giving its customers maximum support in their efforts to convert to lead-free and halogen-free¹ products. For this reason, Infineon Technologies' "Green Products" are ROHS-compliant.

Since all hazardous substances have been removed, Infineon Technologies calls its lead-free and halogen-free semiconductor packages "green." Details on Infineon Technologies' definition and upper limits for the restricted materials can be found here.

The assembly process of our high-technology semiconductor chips is an integral part of our quality strategy. Accordingly, we will accurately evaluate and test alternative materials in order to replace lead and halogen so that we end up with the same or higher quality standards for our products.

The use of lead-free solders for board assembly results in higher process temperatures and increased requirements for the heat resistivity of semiconductor packages. This issue is addressed by Infineon Technologies by a new classification of the Moisture Sensitivity Level (MSL). In a first step the existing products have been classified according to the new requirements.



¹Any material used by Infineon Technologies is PBB and PBDE-free. Plastic containing brominated flame retardants, as mentioned in the WEEE directive, will be replaced if technically/economically beneficial.

9 Appendix A – Infineon I2C Protocol Registry Map

OPTIGA™ Trust M supports IFX I2C v2.01 and is implemented as I2C slave, which uses different address locations for status, control and data communication registers. These registers with description are outlined below in the following table.

Table 20 IFX I2C Registry Map Table

Register Address	Name	Size in Bytes	Description	Master Access
0x80	DATA	DATA_REG_LEN	This is the location where data shall be read from or written to the I2C slave	Read / Write
0x81	DATA_REG_LEN	2	This register holds the maximum data register (Addr 0x80) length. The allowed values are 0x0010 up to 0xFFFF. After writing the new data register length it becomes effective with the next I2C master access. However, in case the slave could not accept the new length it indicates its maximum possible length within this register. Therefore it is recommended to read the value back after writing it to be sure the I2C slave did accept the new value. Note: the value of MAX_PACKET_SIZE is derived from this value or vice versa (MAX_PACKET_SIZE= DATA_REG_LEN-5)	Read / Write
0x82	I2C_STATE	4	Bits 31:24 of this register provides the I2C state in regards to the supported features (e.g. clock stretching ...) and whether the device is busy executing a command and/or ready to return a response etc. Bits 15:0 defining the length of the response data block at the physical layer.	Read only
0x83	BASE_ADDR	2	This register holds the I2C base address as specified by Table 21 . Default value is 0x30. After writing a different address the new address become effective with the next I2C master access. In case the bit 15 is set in addition to the new address (bit 6:0) it becomes the new default address at reset (persistent storage).	Write only
0x84	MAX_SCL_FREQ	4	This register holds the maximum clock frequency in KHz supported by the I2C slave. The value gets adjusted to the register I2C_Mode setting. Fast Mode (Fm): The allowed values are 50 up to 400. Fast Mode (Fm+): The allowed values are 50 up to 1000.	Read
0x85	GUARD_TIME ¹	4	For details refer to Table 24	Read only
0x86	TRANS_TIMEOUT ⁵	4	For details refer to Table 24	Read only

¹ In case the register returns 0xFFFFFFFF the register is not supported and the default values specified in Table 'List of protocol variations' shall be applied.

OPTIGA™ Trust M

Appendix A – Infineon I2C Protocol Registry Map

Register Address	Name	Size in Bytes	Description	Master Access
0x88	SOFT_RESET	2	Writing to this register will cause a device reset. This feature is optional	Write only
0x89	I2C_MODE	2	This register holds the current I2C Mode as defined by Table 22 . The default mode is SM & FM (011B).	Read / Write

Table 21 Definition of BASE_ADDR

Fields	Bits	Value	Description
DEF_ADDR	15	0	Volatile address setting by bit 6:0, lost after reset.
		1	Persistent address setting by bit 6:0, becoming default after reset.
BASE_ADDR	6:0	0x00-0x7F	I ² C base address specified by Table 20

15	14	13	12	11	10	9	8
DEF_ADDR	RFU						
7	6	5	4	3	2	1	0
RFU	BASE_ADDR						

15	14	13	12	11	10	9	8
DEF_MODE	RFU						
7	6	5	4	3	2	1	0
RFU					Mode		

Table 22 Definition of I2C_MODE

Fields	Bits	Value	Description
DEF_MODE	15	0	Volatile mode setting by bit 2:0, lost after reset.
		1	Persistent mode setting by bit 2:0, becoming default after reset. This bit is always read as 0.
MODE ²	2:0	001 010 011 100 other values	Sm Fm SM & Fm (fab out default) Fm+ not valid; writing will be ignored

¹ In case the register returns 0xFFFFFFFF the register and its functionality is not supported

² This mode defines the adherence of the bus signals to the electrical characteristics according standard I2C bus specification

OPTIGA™ Trust M

Appendix A – Infineon I2C Protocol Registry Map

31	30	29	28	27	26	25	24
BUSY	RESP_RDY	RFU		SOFT_RESET	CONT_READ	REP_START	CLK_STRETCHING
23	22	21	20	19	18	17	16
PRESENT_LAYER	RFU						
15-0							
Length of data block to be read							

Table 23 Definition of I2C_STATE

Field	Bit(s)	Value	Description
BUSY	31	0	Device is not busy
		1	Device is busy executing a command
RESP_RDY	30	0	Device is not ready to return a response
		1	Device is ready to return a response
SOFT_RESET	27	0	SOFT_RESET not supported
		1	SOFT_RESET supported
CONT_READ	26	0	Continue Read not supported
		1	Continue Read supported
REP_START	25	0	Repeated start not supported
		1	Repeated start supported
CLK_STRETCHING	24	0	Clock stretching not supported
		1	Clock stretching supported
PRESENT_LAYER	23	0	Presentation Layer not supported
		1	Presentation Layer supported

9.1 Infineon I2C Protocol Variations

To fit best to application specific requirements the protocol might be tailored by specifying a couple of parameters which is described in the following table.

Table 24 List of Protocol Variations

Parameter	Default Value	Description
MAX_PACKET_SIZE	0x110	Maximum packet size accepted by the receiver. The protocol limits this value to 0xFFFF, but there might be project specific requirements to reduce the transport buffers size for the sake of less RAM footprint in the communication stack. If shortened, it could be statically defined or negotiated at the physical layer.
WIN_SIZE	1	Window size of the sliding windows algorithm. The value could be 1 up to 2.
MAX_NET_CHAN	1	Maximum number of network channels. The value could be 1 up to 16. One indicates the OSI Layer 3 is not used and the CHAN field of the PCTR must be set to 0000.
CHAINING	TRUE	Chaining on the transport layer is supported (TRUE) or not (FALSE)
TRANS_TIMEOUT	10 ms	(Re) transmission timeout specifies the number of milliseconds to be elapsed until the transmitter considers a frame

OPTIGA™ Trust M

Appendix A – Infineon I2C Protocol Registry Map

Parameter	Default Value	Description
		<p>transmission is lost and retransmits the non-acknowledged frame. The Timer gets started as soon as the complete frame is transmitted. The value could be 1 up to 1000. However, the higher the number, the longer it takes to recover from a frame transmission error.</p> <p><i>Note: The acknowledge timeout on the receiver side must be shorter than the retransmission timeout to avoid unnecessary frame repetitions.</i></p>
TRANS_REPEAT	3	Number of transmissions to be repeated until the transmitter considers the connection is lost and starts a re-synchronization with the receiver. The value could be 1 up to 4.
BASE_ADDR	0x30	I2C (base) address. This address could be statically defined or dynamically negotiated by the physical layer.
MAX_SCL_FREQU	1000 kHz	Maximum SCL clock frequency in kHz.
GUARD_TIME	50 μs	<p>Minimum time to be elapsed at the I2C master measured from read data (STOP condition) until the next write data (Start condition) is allowed to happen.</p> <p><i>Note 1: For two consecutive accesses on the same device GUARD_TIME re-specifies the value of t_{BUF} as specified by [I2Cbus].</i></p> <p><i>Note 2: Even if another I2C address is accessed in between GUARD_TIME has to be respected for two consecutive accesses on the same device.</i></p>
SOFT_RESET	1	Any write attempt to the SOFT_RESET register will trigger a warm reset (reset w/o power cycle). This register is optional and its presence is indicated by the I2C_STATE register's "SOFT_RESET" flag.
PRESENT_LAYER	1	This flag at the I2C_STATE register indicates the optional availability of the presentation layer, which is providing confidentiality and integrity protection of payloads (APDUs) transferred across the I2C interface. The presentation layer is used as part of Shielded Connection.

OPTIGA™ Trust M

Appendix B - OPTIGA™ Trust M Command/Response I2C Sample Logs

10 Appendix B - OPTIGA™ Trust M Command/Response I2C Sample Logs

The default I2C slave address for the OPTIGA™ Trust M is 0x30 [I2C_ADDR]. All the values in this section are specified in decimal form unless stated otherwise.

10.1 Sequence of commands to read Coprocessor UID from OPTIGA™ Trust M

Pre-requisites

1. Ensure that the security device is powered up
2. The OPTIGA™ Trust M will not acknowledge the slave address sent by a host if it is either busy or in idle state. Hence the host must retry or repeat the transaction until it is successful or timed out for 100 milliseconds (extreme case).
3. The specified guard time must be applied between each attempt of write / read operation by the Host I2C driver.
4. The log information for OPTIGA™ Trust M commands specified in below Tables contains the [IFX I2C] protocol information which comprises sequence numbers and checksum of the transactions.
 - a. A sequence of commands must be strict for the OPTIGA™ Trust M (e.g. OpenApplication followed by GetDataObject to read a Coprocessor UID)
 - b. A checksum in the data depends on the data received or sent via write/read operations. So any data change in the transaction is reflected in the check sum. Otherwise the write data transaction will not be accepted/acknowledged by the OPTIGA™ Trust M.
5. The logs specified below are without the presentation layer (used for the Shielded Connection) of [IFX I2C]

10.1.1 Check the status [I2C_STATE]

This is a very basic register read operation which ensures the behavior of the read/write operations of the local host I2C driver.

Table 25 Check I2C_STATE Register of OPTIGA™ Trust M

I2C_ADDR	Transaction Type	Data [values in hexadecimal]
30	Write [01 Bytes]	82
30	Read [04 Bytes]	08 80 00 00

10.1.2 Issue OpenApplication command

Before issuing any application specific command; e.g. read Coprocessor UID using GetDataObject, it is a must to send the OpenApplication command to initialize the application on the OPTIGA™ Trust M as shown below.

Table 26 OpenApplication on OPTIGA™ Trust M

I2C_ADDR	Transaction Type	Data [values in hexadecimal]
Step 1: Send OpenApplication command to initiate the application context on the OPTIGA™ Trust M		
30	Write [27 Bytes]	80 03 00 15 00 70 00 00 10 D2 76 00 00 04 47 65 6E 41 75 74 68 41 70 70 6C 04 1A
Step 2: Read the I2C_STATE register [Repeat this step until the read contains the data as specified below]		

11 Appendix C – Power Management

When operating, the power consumption of OPTIGA™ Trust M is limited to meet the requirements regarding the power limitation set by the Host. The power limitation is implemented by utilizing the current limitation feature of the underlying hardware device in steps of 1mA from 6mA to 15 mA with a precision of $\pm 5\%$.

11.1 Hibernation

This maximizes power saving (zero power consumption¹), while the I2C bus stays connected. In this case OPTIGA™ Trust M saves the application context before power-off (switching off V_{CC}) and restores it after power-up. After power-up the application continues seamlessly from the state before hibernate.

11.1.1 Software adaption for Hibernate circuit with single MOSFET

Update the *ifx_i2c.c* file functions with the following change.

(1) Call **pal_gpio_set_low** (*p_ifx_i2c_context->p_slave_vdd_pin*), to set the Vdd pin to High,

(2) Call **pal_gpio_set_high** (*p_ifx_i2c_context->p_slave_vdd_pin*), to set the Vdd pin to Low.

```

001     _STATIC_H optiga_lib_status_t ifx_i2c_init
002                                     (ifx_i2c_context_t * p_ifx_i2c_context)
003     {
004         optiga_lib_status_t api_status = IFX_I2C_STACK_ERROR;
005
006         if (((uint8_t)IFX_I2C_WARM_RESET ==
007             p_ifx_i2c_context->reset_type) ||
008             ((uint8_t)IFX_I2C_COLD_RESET ==
009             p_ifx_i2c_context->reset_type))
010         {
011             switch (p_ifx_i2c_context->reset_state)
012             {
013                 case IFX_I2C_STATE_RESET_PIN_LOW:
014                     {
015                         // Setting the Vdd & Reset pin to low
016                         if ((uint8_t)IFX_I2C_COLD_RESET ==
017                             p_ifx_i2c_context->reset_type)
018                         {
019                             // Set the Host GPIO as high to set Vdd to
020                             low
021                             pal_gpio_set_high
022                                 (p_ifx_i2c_context->p_slave_vdd_pin);
023                         }
024                         // Setting the Reset pin to low
025                         pal_gpio_set_low
026                             (p_ifx_i2c_context->p_slave_reset_pin);
027                         p_ifx_i2c_context->reset_state =
028                             IFX_I2C_STATE_RESET_PIN_HIGH;
029                         pal_os_event_register_callback_oneshot
030                             (p_ifx_i2c_context->pal_os_event_ctx,
031                             (register_callback)ifx_i2c_init,
032                             (void * )p_ifx_i2c_context,

```

¹ Leakage current < 2.5µA only


```

032             RESET_LOW_TIME_MSEC);
033             api_status = IFX_I2C_STACK_SUCCESS;
034             break;
035         }
036         case IFX_I2C_STATE_RESET_PIN_HIGH:
037         {
038             // Setting the Vdd & Reset pin to high
039             if ((uint8_t)IFX_I2C_COLD_RESET ==
040                 p_ifx_i2c_context->reset_type)
041             {
042                 // Set the Host GPIO as low to set Vdd to
043                 high
044                 pal_gpio_set_low
045                 (p_ifx_i2c_context->p_slave_vdd_pin);
046             }
047             // Setting the Reset pin to high
048             pal_gpio_set_high
049             (p_ifx_i2c_context->p_slave_reset_pin);
050             p_ifx_i2c_context->reset_state =
051             IFX_I2C_STATE_RESET_INIT;
052             pal_os_event_register_callback_oneshot
053             (p_ifx_i2c_context->pal_os_event_ctx,
054             (register_callback)ifx_i2c_init,
055             (void * )p_ifx_i2c_context,
056             STARTUP_TIME_MSEC);
057             api_status = IFX_I2C_STACK_SUCCESS;
058             break;
059         }
060         case IFX_I2C_STATE_RESET_INIT:
061         {
062             //Frequency and frame size negotiation
063             #ifndef OPTIGA_COMMS_SHIELDED_CONNECTION
064                 api_status = ifx_i2c_tl_init
065                 (p_ifx_i2c_context,
066                 ifx_i2c_tl_event_handler);
067             #else
068                 api_status = ifx_i2c_prl_init
069                 (p_ifx_i2c_context,
070                 ifx_i2c_tl_event_handler);
071             #endif
072             break;
073         }
074         default:
075             break;
076     }
077     //soft reset
078     else
079     {
080         p_ifx_i2c_context->pl.request_soft_reset =
081         (uint8_t)TRUE;
082         #ifndef OPTIGA_COMMS_SHIELDED_CONNECTION
083         api_status = ifx_i2c_tl_init(p_ifx_i2c_context,

```

```

084     ifx_i2c_tl_event_handler);
085         #else
086             api_status = ifx_i2c_prl_init(p_ifx_i2c_context,
087             ifx_i2c_tl_event_handler);
088         #endif
089     }
090     if (api_status != IFX_I2C_STACK_SUCCESS)
091     {
092         ifx_i2c_tl_event_handler(p_ifx_i2c_context,
093         api_status,
094                                     0, 0);
095     }
096     return (api_status);
097 }
098
099 optiga_lib_status_t ifx_i2c_close(ifx_i2c_context_t * p_ctx)
100 {
101     optiga_lib_status_t api_status =
102         (int32_t)IFX_I2C_STACK_ERROR;
103     // Proceed, if not busy and in idle state
104     if (IFX_I2C_STATUS_BUSY != p_ctx->status)
105     {
106         api_status = IFX_I2C_STACK_SUCCESS;
107
108         #ifdef OPTIGA_COMMS_SHIELDED_CONNECTION
109             p_ctx->close_state = IFX_I2C_STACK_ERROR;
110             p_ctx->state = IFX_I2C_STATE_UNINIT;
111             api_status = ifx_i2c_prl_close
112                 (p_ctx, ifx_i2c_prl_close_event_handler);
113             if (IFX_I2C_STACK_ERROR == api_status)
114             {
115                 pal_i2c_deinit(p_ctx->p_pal_i2c_ctx);
116                 // Also power off the device
117                 // Set the Host GPIO as high to set Vdd to low
118                 pal_gpio_set_high(p_ctx->p_slave_vdd_pin);
119                 pal_gpio_set_low(p_ctx->p_slave_reset_pin);
120                 p_ctx->status = IFX_I2C_STATUS_NOT_BUSY;
121             }
122         #else
123             ifx_i2c_tl_event_handler
124                 (p_ctx, IFX_I2C_STACK_SUCCESS, NULL, 0);
125             // Close I2C master
126             pal_i2c_deinit(p_ctx->p_pal_i2c_ctx);
127             // Also power off the device
128             // Set the Host GPIO as high to set Vdd to low
129             pal_gpio_set_high(p_ctx->p_slave_vdd_pin);
130             pal_gpio_set_low(p_ctx->p_slave_reset_pin);
131             p_ctx->state = IFX_I2C_STATE_UNINIT;
132             p_ctx->status = IFX_I2C_STATUS_NOT_BUSY;
133         #endif
134     }
135     return (api_status);
136 }

```

```

135     _STATIC_H void ifx_i2c_prl_close_event_handler
136                                     (ifx_i2c_context_t * p_ctx,
137                                     optiga_lib_status_t event,
138                                     const uint8_t * p_data,
139                                     uint16_t data_len)
140     {
141         p_ctx->status = IFX_I2C_STATUS_NOT_BUSY;
142         switch (p_ctx->state)
143         {
144             case IFX_I2C_STATE_UNINIT:
145             {
146                 pal_i2c_deinit(p_ctx->p_pal_i2c_ctx);
147                 // Also power off the device
148                 // Set the Host GPIO as high to set Vdd to low
149                 pal_gpio_set_high(p_ctx->p_slave_vdd_pin);
150                 pal_gpio_set_low(p_ctx->p_slave_reset_pin);
151                 break;
152             }
153             default:
154                 break;
155         }
156
157         if (NULL != p_ctx->upper_layer_event_handler)
158         {
159             p_ctx->upper_layer_event_handler
160                 (p_ctx->p_upper_layer_ctx, event);
161         }
162     }

```

11.2 Low Power Sleep Mode

The OPTIGA™ Trust M automatically enters a low-power mode after a configurable delay. Once it has entered Sleep mode, the OPTIGA™ Trust M resumes normal operation as soon as its address is detected on the I2C bus. In case no command is sent to the OPTIGA™ Trust M it behaves as shown in [Figure 12](#).

1. As soon as the OPTIGA™ Trust M is idle it starts to count down the “delay to sleep” time (t_{SDY}).
2. In case this time elapses the device enters the “go to sleep” procedure.
3. The “go to sleep” procedure waits until all idle tasks are finished (e.g. counting down the SEC). In case all idle tasks are finished and no command is pending, the OPTIGA™ Trust M enters sleep mode.

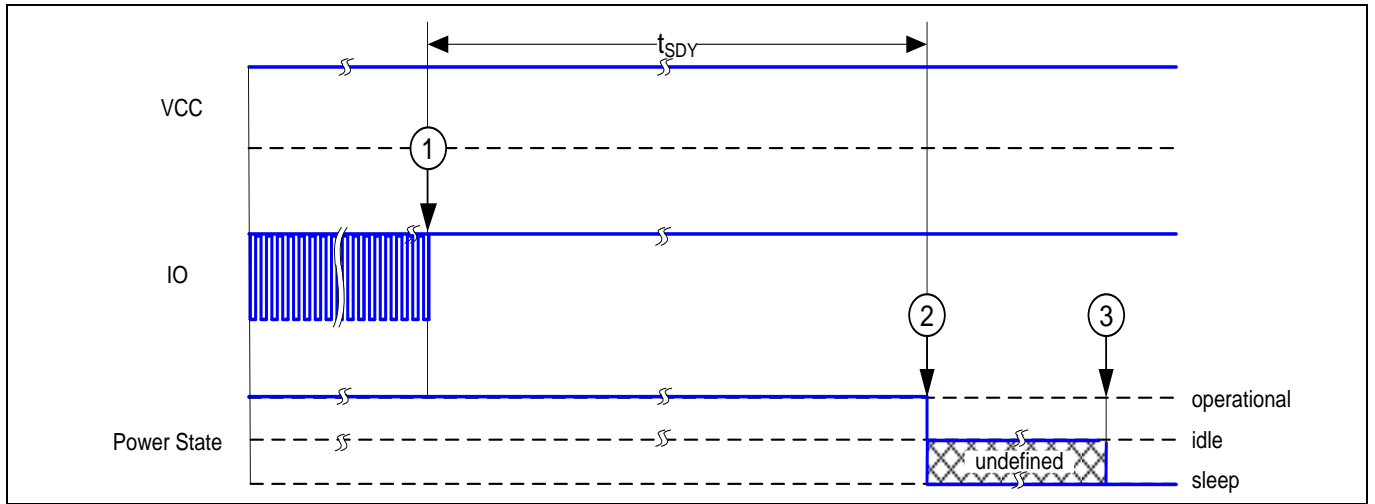


Figure 12 Go-to-Sleep Diagram

OPTIGA™ Trust M

Revision history

Revision history

Document version	Date of release	Description of changes
3.40	2022-06-21	Section 1.5 updated, Section 6 removed
3.30	2021-08-17	Section 6.4, 6.5 and 12 updated for pal_ifx_i2c_context structure changes and ifx_i2c_init bug fix.
3.20	2020-10-20	Fixed internal review comments and released for Production
3.15	2020-10-12	Section 3.1 Hibernate circuit diagram updated for single MOSFET option and direct GPIO as power option.
3.10	2020-09-24	Release to Production release
3.00	2020-06-29	Fixed internal review comments
0.70	2020-05-27	Initial version update for ES Release