



CREE™ XP® ADHESIVE-BACKED LENS SYSTEM



Patent: 7,874,703

FEATURES / BENEFITS

- ▲ For CREE XPE & XPC LEDs
- ▲ Available in spot, medium, wide, frosted spot and oval lenses
- ▲ Integral self-adhesive pad
- ▲ Compact size
- ▲ Greater than 80% efficiency
- ▲ 3 alignment tabs to ensure accurate placement over LED
- ▲ Frosted model for even light output within 7° half divergence & smooth tailoff. Designed to minimize hot spots & fringing in color mixing applications

OPERATING CONDITIONS

- ▲ -40°C to +110°C temperature

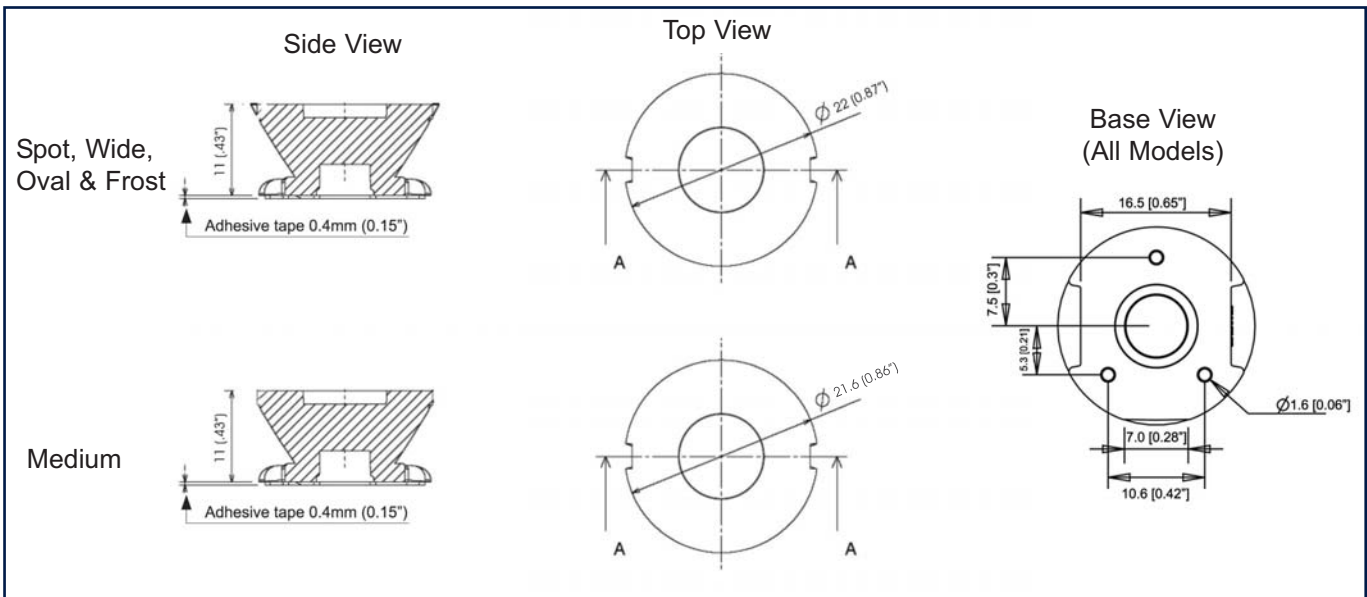
MATERIALS/FINISH

- ▲ Optical grade polycarbonate 143R

ORDERING INFORMATION

| BASE LENSES | | |
|--------------------------------------|---|----------|
| Dialight P/N | Description | Degree* |
| OPXP1SPOT | Spot Base Module for CREE XPE & XPC | 5° |
| OPXP1SDIF | Diffused Spot Base Module for CREE XPE & XPC | 7° |
| OPXP1MDIF | Medium Diffused Base Module for CREE XPE & XPC | 10° |
| OPXP1OVAL | Oval Base Module for CREE XPE & XPC | 8° X 25° |
| OPXP1WIDE | Wide Diffused Base Module for CREE XPE & XPC | 20° |
| *All angles refer to half divergence | | |

MECHANICAL DIMENSIONS

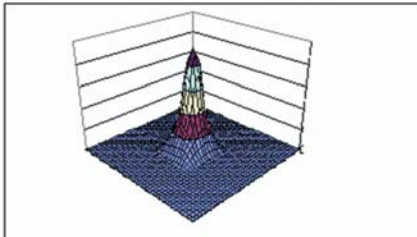


PCB ALIGNMENT DIMENSION DETAILS

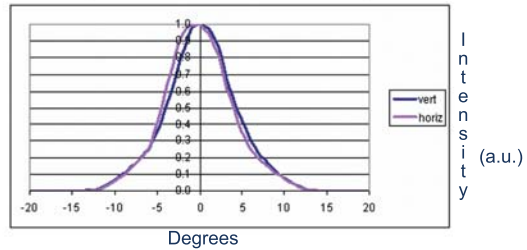


PHOTOMETRIC DATA FOR SPOT VERSION

3 D surface Plot based on simulation



Horizontal and vertical Scans (Lab Measurement)



For photometric data on other models, please contact factory

Dialight reserves the right to make changes at any time in order to supply the best product possible.

The most current version of this document will always be available at:

www.dialight.com/Assets/Brochures_And_Catalogs/Illumination/MDEXLUMADBCREEXP.pdf

MDEXLUMADBCREEXP_C