

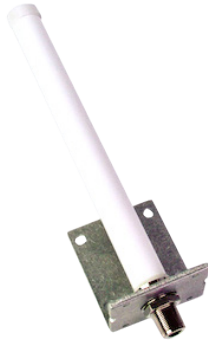


Oscar 41

3G/4G/WiFi small size omni wall Antenna

Key Features

- Compact wall or pole mount antenna
- Weather resistant
- Wideband antenna with 3dBi Peak Gain



General Description

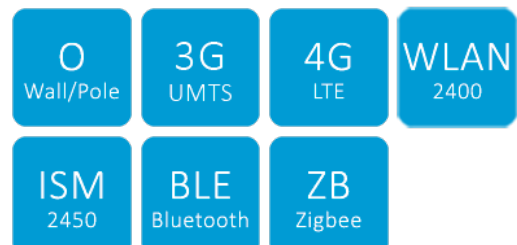
The Oscar 41 is a compact bracket or pole mounted antenna for the 3G, 4G and WiFi frequency bands. The gain has been maximised in the upper frequency bands and enables great performance without having a long antenna length. The Oscar 41 is substantially made and comes with wall bracket included.

The antenna is commonly used for WiFi extenders on campsites and shopping malls.

Cable assemblies of varying lengths are available to order, see website for details.

Additional Considerations

- Robust construction
- Excellent high frequency gain





Oscar 41

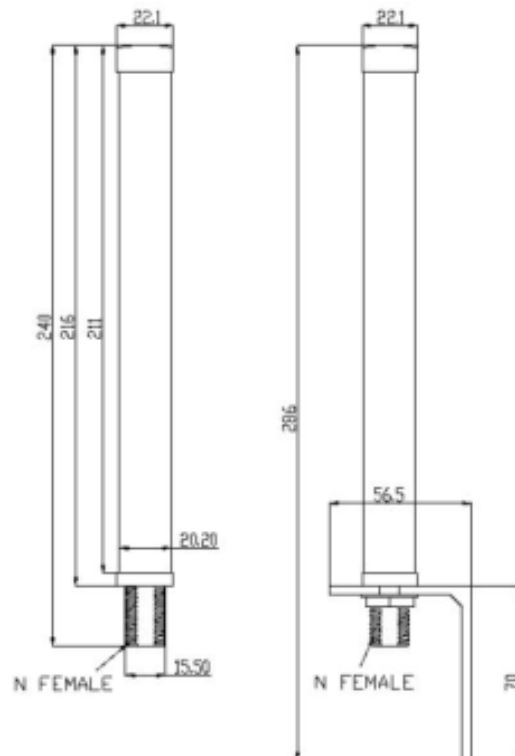
3G/4G/WiFi small size omni wall Antenna

Electrical Specifications

Impedance:	50 Ohm
VSWR:	≤ 3
Peak Gain:	1 / 3 / 3dBi
Frequency Range:	790 - 862 / 1710 - 2180 / 2300 - 2700MHz
H-Plane:	360°
E-Plane:	790 - 862MHz: 79° 1710 - 2180MHz: 36° 2300 - 2700MHz: 24°
Max Power:	10W
Polarization:	Vertical

Mechanical Specifications

Operating Temperature:	-30 - +60°C
Dimensions:	Ø22 x 240mm ± 5mm
Connector:	N-Type Female
Material Radome:	ABS

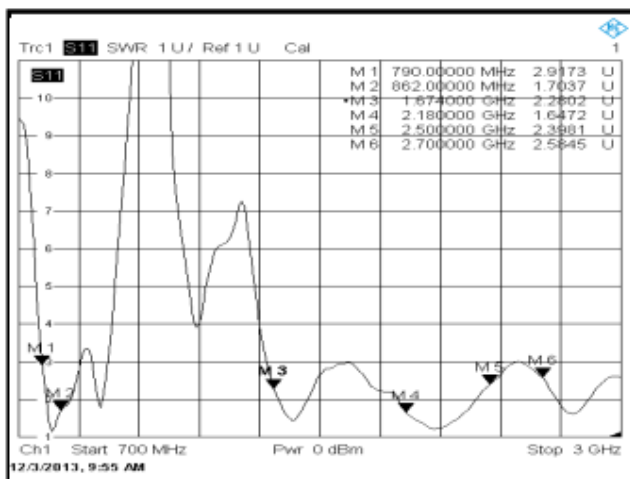




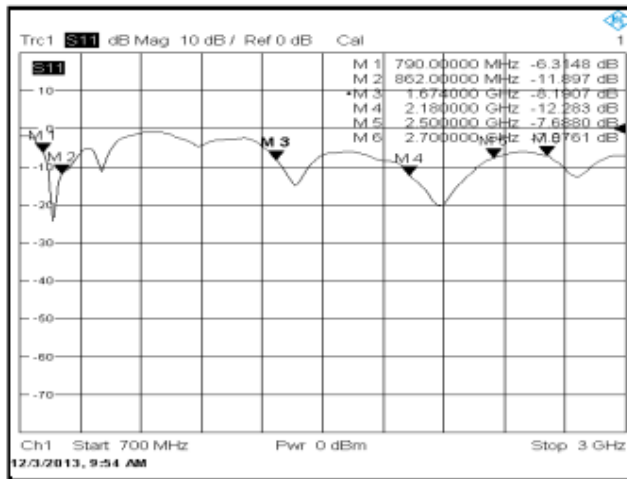
Oscar 41

3G/4G/WiFi small size omni wall Antenna

VSWR



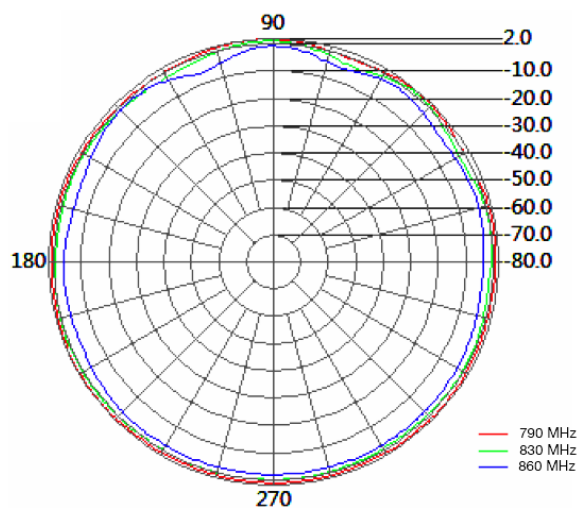
Return Loss



Radiation Patterns

H Plane

790-862MHz



E Plane

790-862MHz

