



Oscar 420

3G/4G/WiFi MIMO Omni-directional Antenna

Key Features

- Weatherproof and UV Resistant
- MIMO Antenna
- 7dBi Peak Gain



General Description

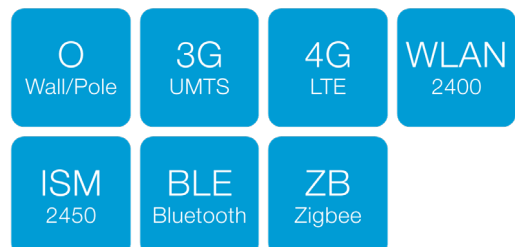
The Oscar 420 is a great antenna covering many popular frequencies in use today. Its radome is UV and water resistant making it a great outdoor antenna.

Fitted with 0.4M RG58 tails ready for connection to standard or low loss cable for extended distance to the Transmitter/Receiver.

The Oscar 420 is fitted with an aluminium bracket for wall mounting and comes supplied with a clamp for fitting to a standard mast.

Additional Considerations

- Water and UV resistant
- Covers a wide range of frequencies





Oscar 420

3G/4G/WiFi MIMO Omni-directional Antenna

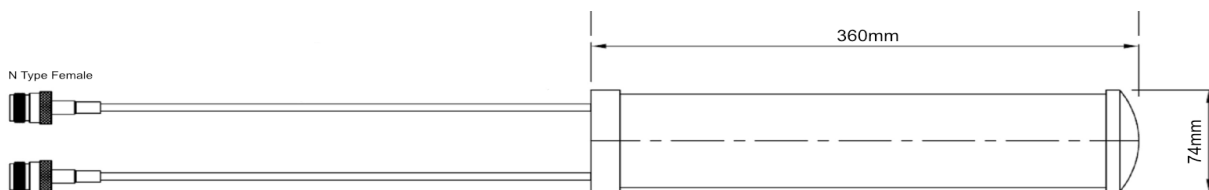
Electrical Specifications

| | |
|--------------------|--------------------------------------|
| Impedance: | 50 Ohms |
| Temperature range: | -30 - +70°C |
| Gain: | 700-960MHz 3dBi 1700-2700MHz 7dBi |
| VSWR: | <=3.2 |
| Frequency range: | 700-960MHz 1700-2700MHz |
| Polarization: | Vertical |
| Wind Load: | 120 Km/h |

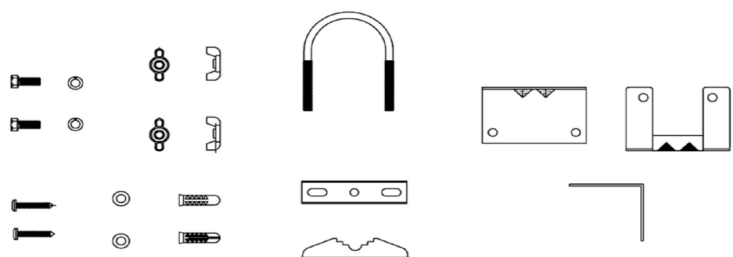
Mechanical Specifications

| | |
|------------------|----------------------|
| Dimensions: | L360 x W74 x H74mm Ø |
| Connector: | N Female x2 |
| Cable: | RG58 |
| Mounting method: | Pole U-bolt |

Drawing



Accessories





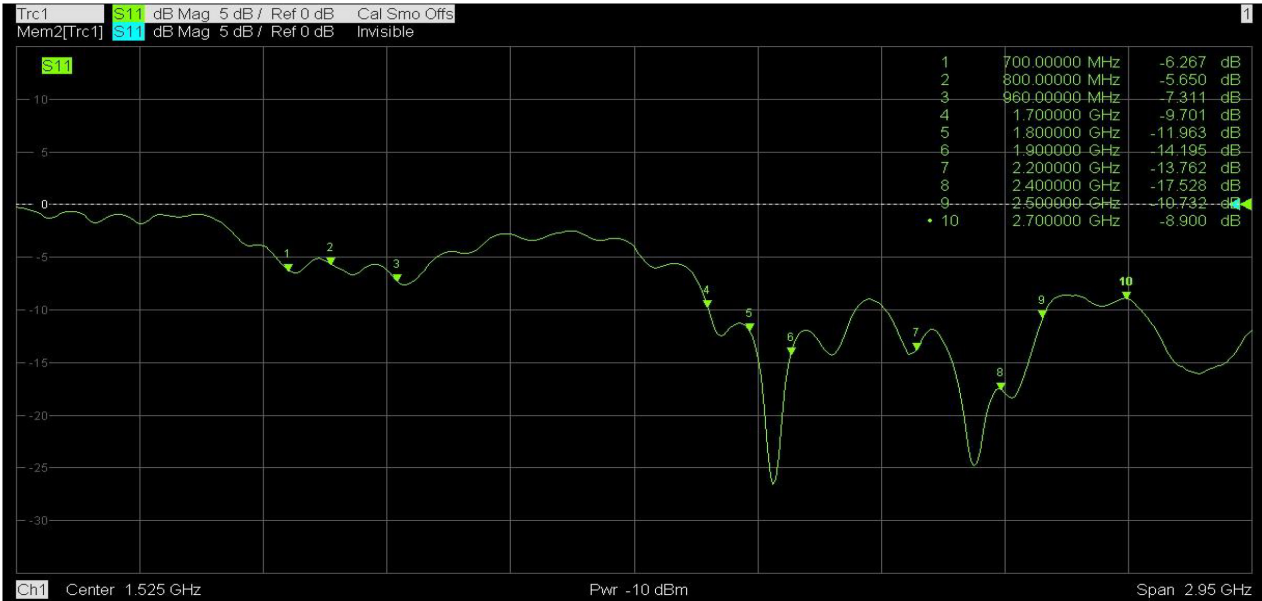
Enabling Industrial IoT



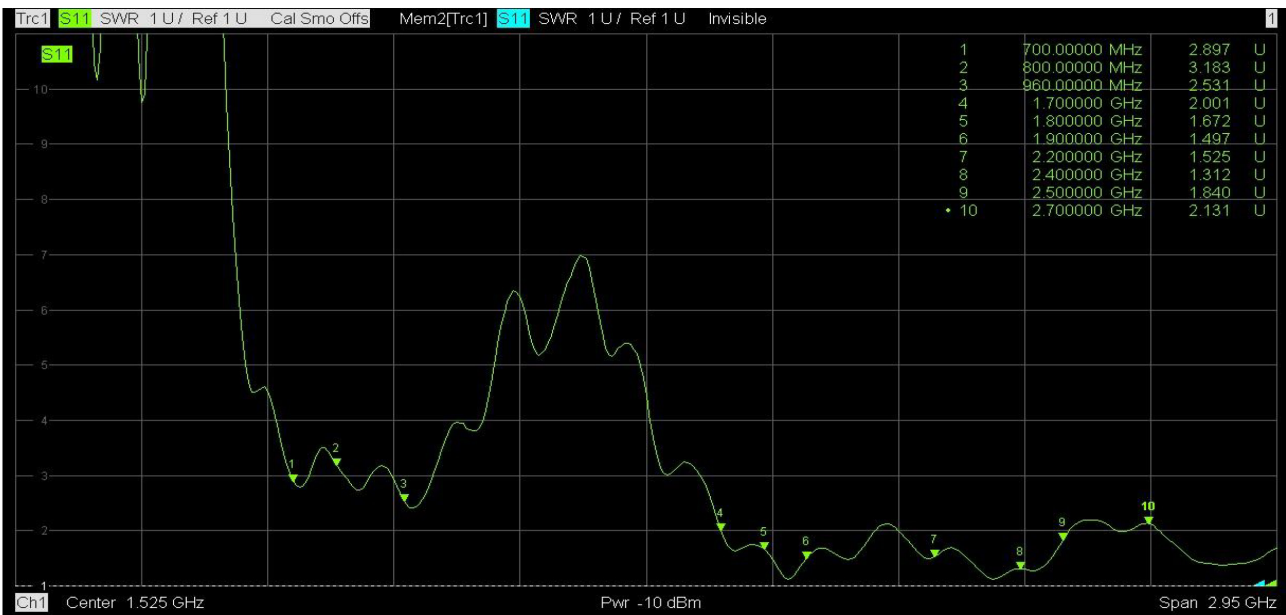
Oscar 420

3G/4G/WiFi MIMO Omni-directional Antenna

Antenna 1 Return Loss



VSWR





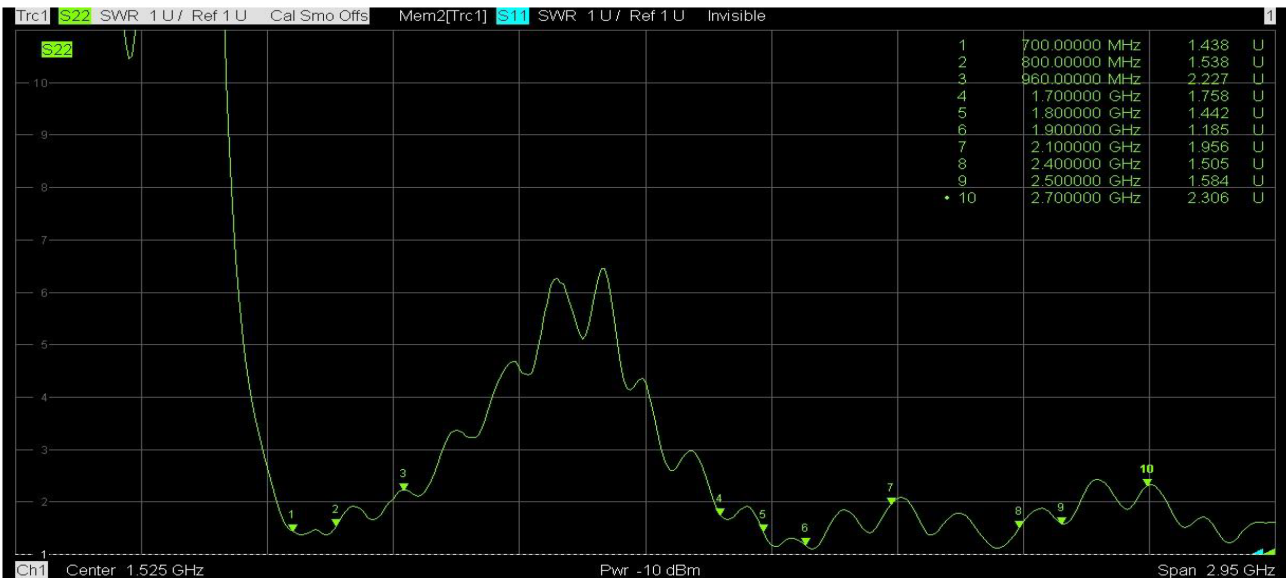
Oscar 420

3G/4G/WiFi MIMO Omni-directional Antenna

Antenna 2 Return Loss



VSWR



Ordering Details

Part Number Description

OSCAR420/0.4M/NTYPEF/S/S/19 3G/4G/WiFi MIMO Omni-directional antenna

Registered in England No. 08405712
VAT Registration No. GB163 04 0349

Siretta Ltd
Basingstoke Road
Spencers Wood
Reading
Berkshire RG7 1PW

sales +44(0)118 976 9000
email sales@siretta.com
web www.siretta.com

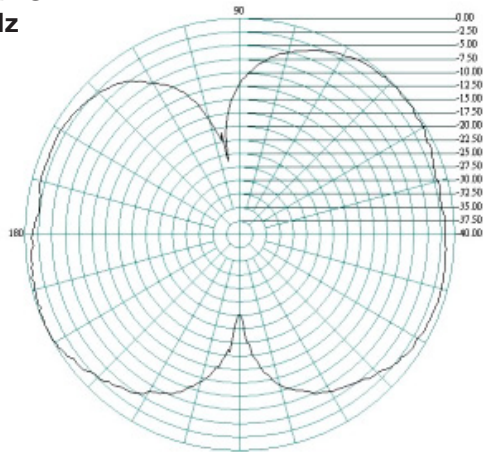


Oscar 420

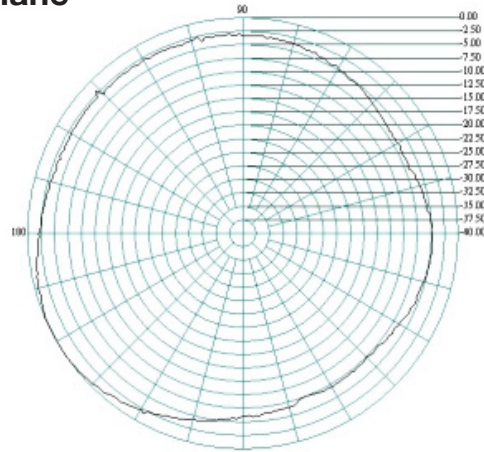
3G/4G/WiFi MIMO Omni-directional Antenna

Radiation Patterns: Antenna 1

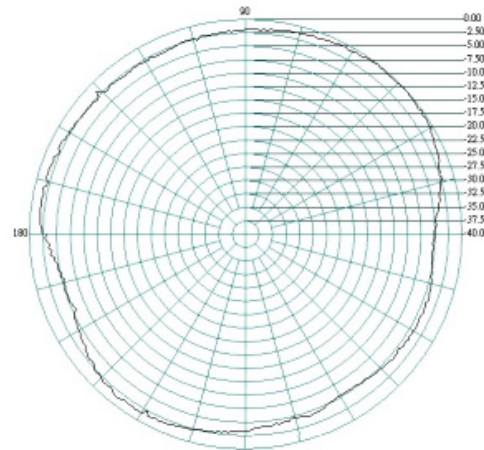
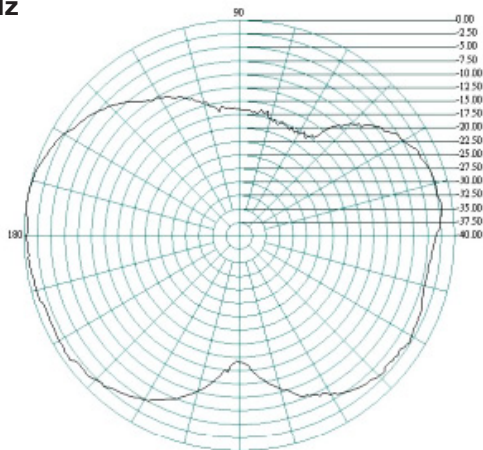
E-Plane
700MHz



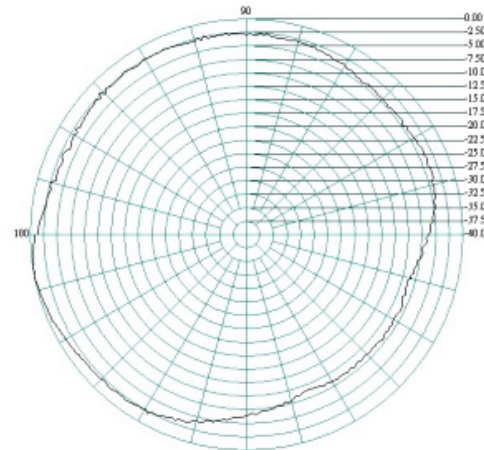
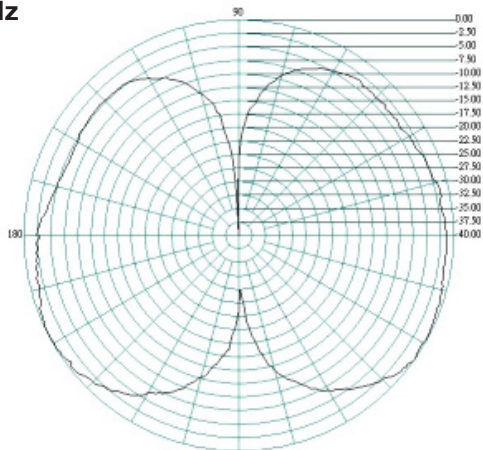
H-Plane



800MHz



900MHz

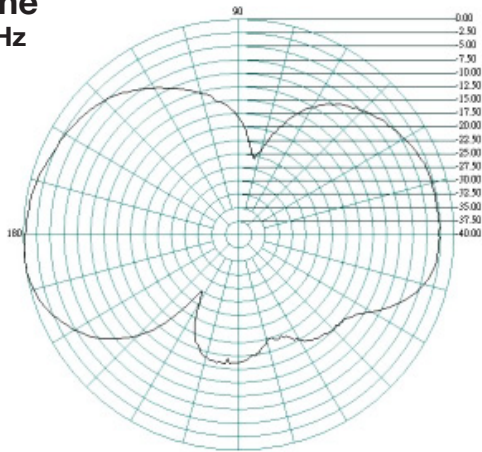




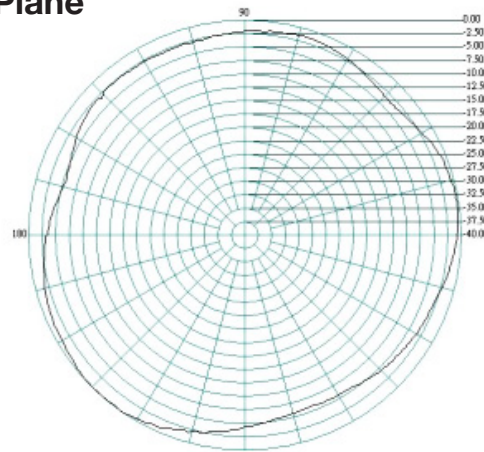
Oscar 420

3G/4G/WiFi MIMO Omni-directional Antenna

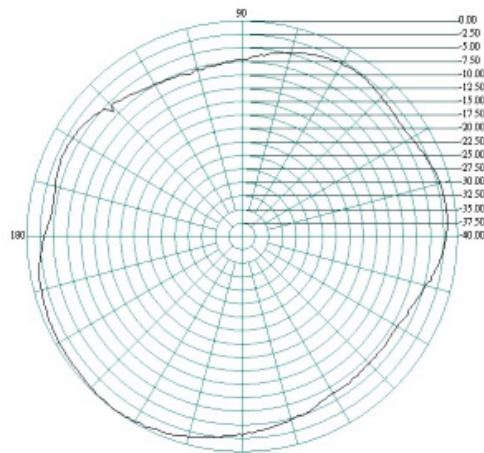
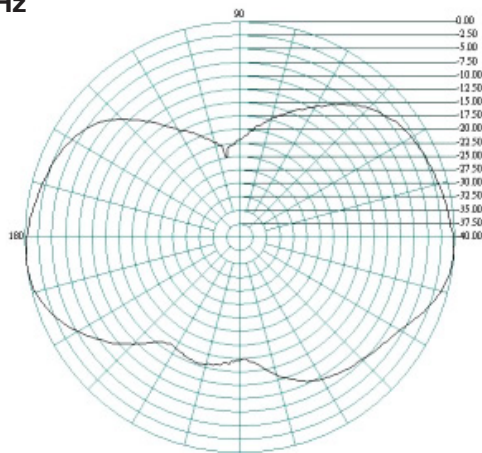
E-Plane 1700MHz



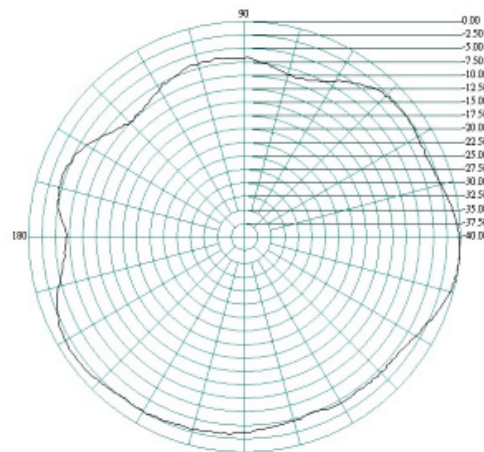
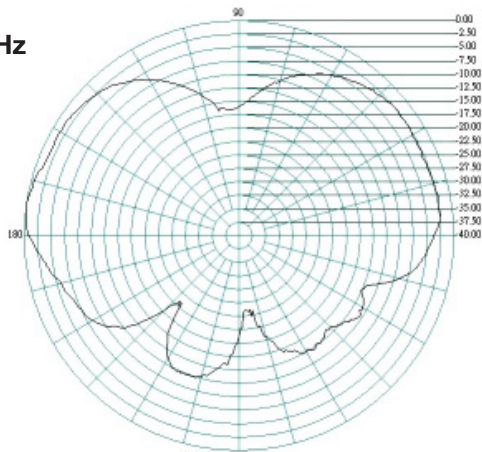
H-Plane



1800MHz



1900MHz

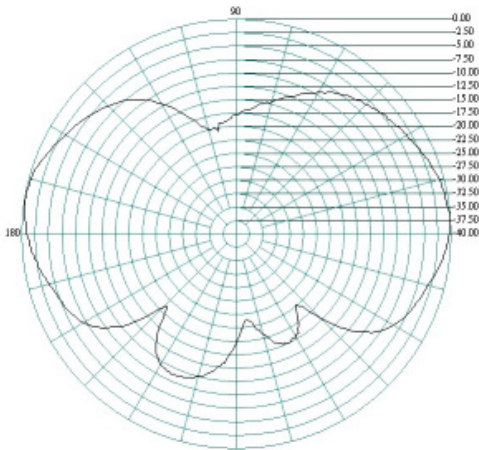




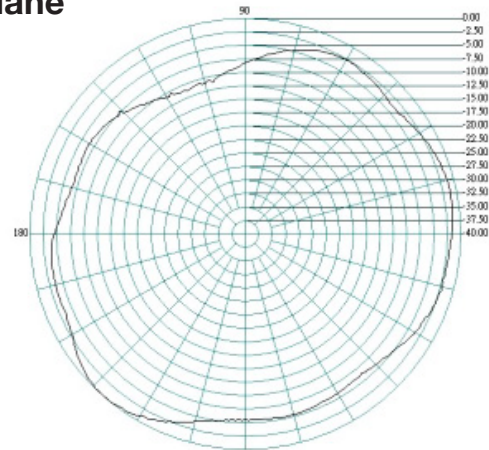
Oscar 420

3G/4G/WiFi MIMO Omni-directional Antenna

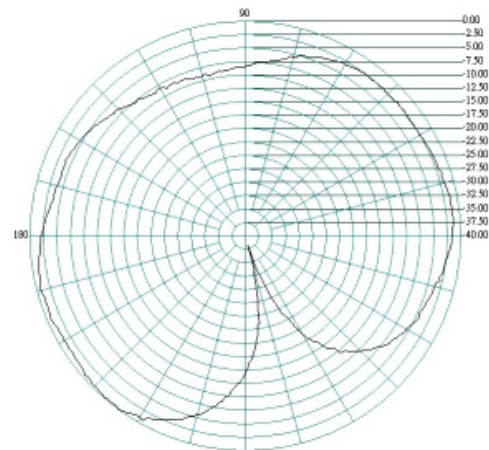
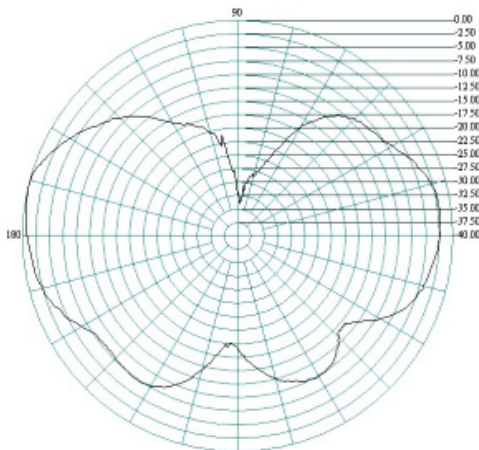
E-Plane
2100MHz



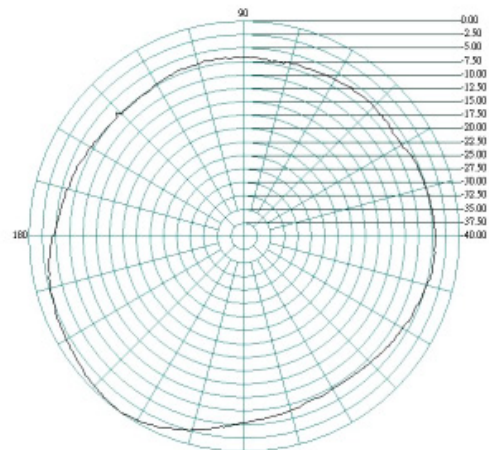
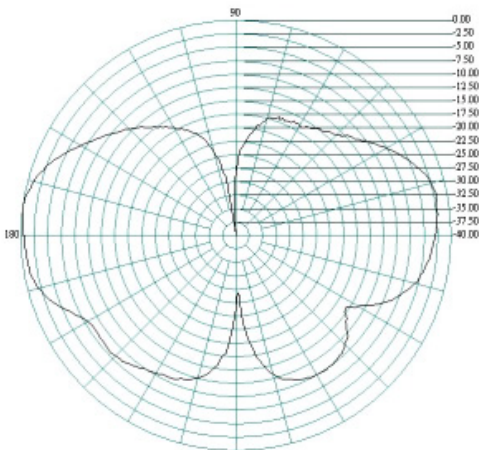
H-Plane



2200MHz



2400MHz

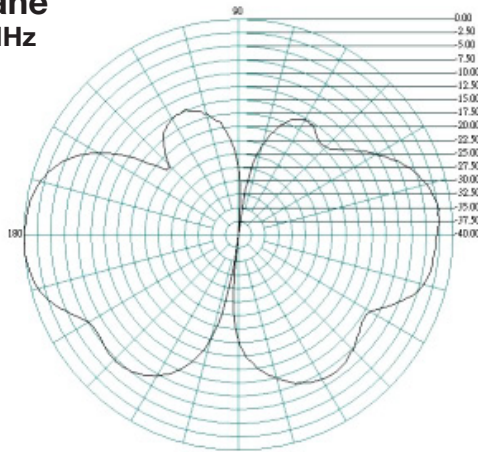




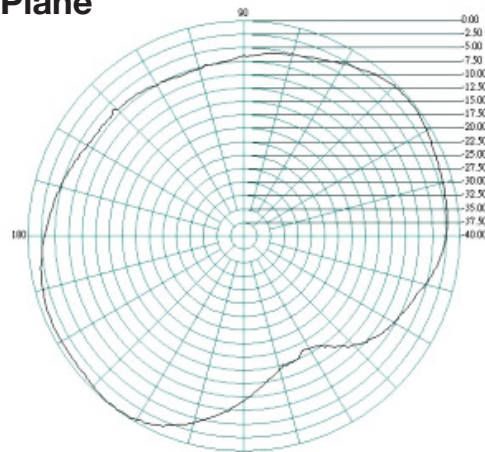
Oscar 420

3G/4G/WiFi MIMO Omni-directional Antenna

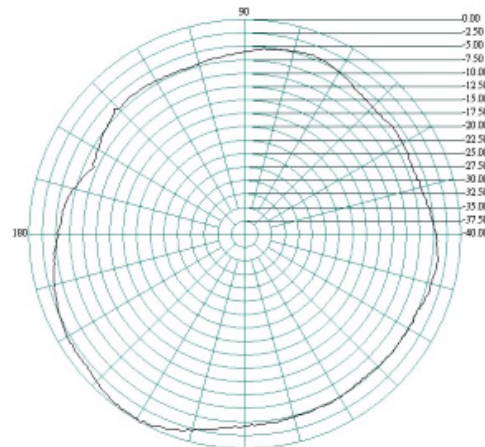
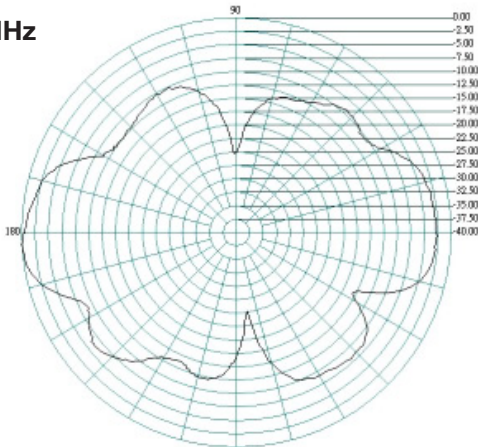
E-Plane
2500MHz



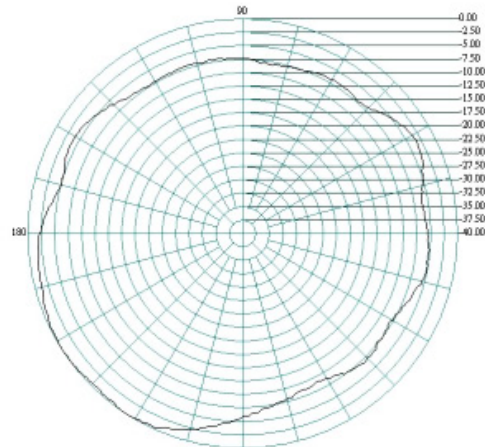
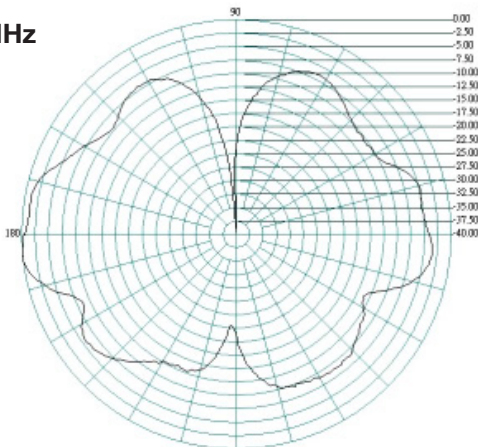
H-Plane



2600MHz



2700MHz



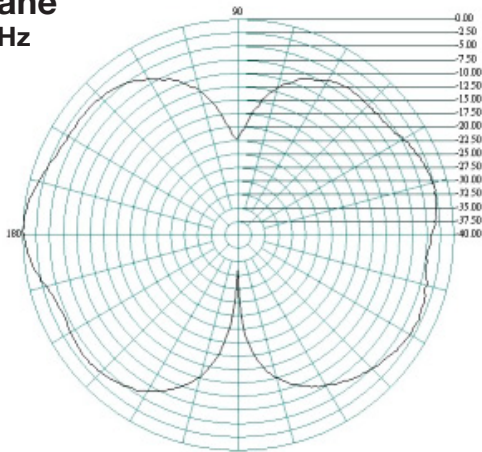


Oscar 420

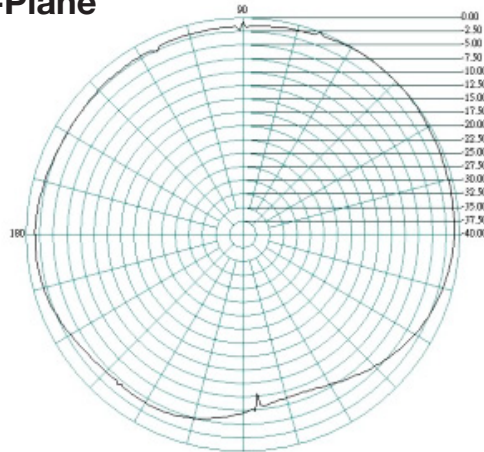
3G/4G/WiFi MIMO Omni-directional Antenna

Radiation Patterns: Antenna 2

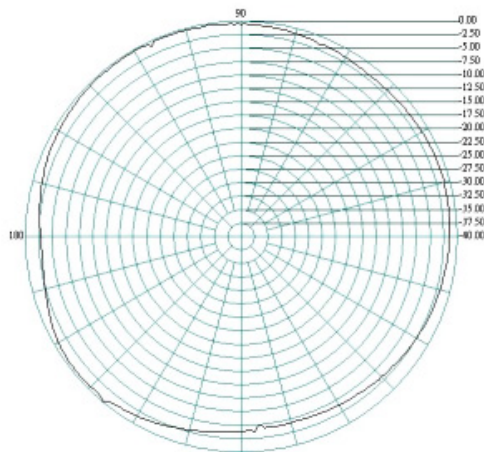
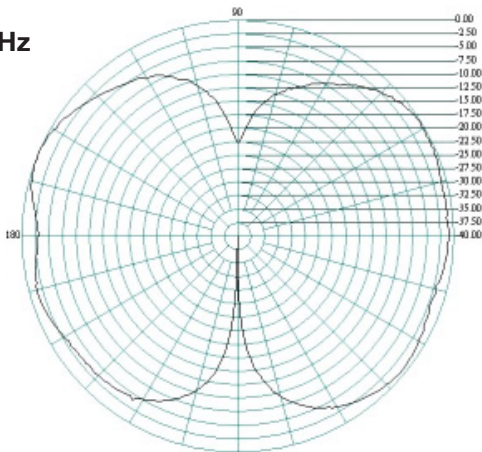
E-Plane
700MHz



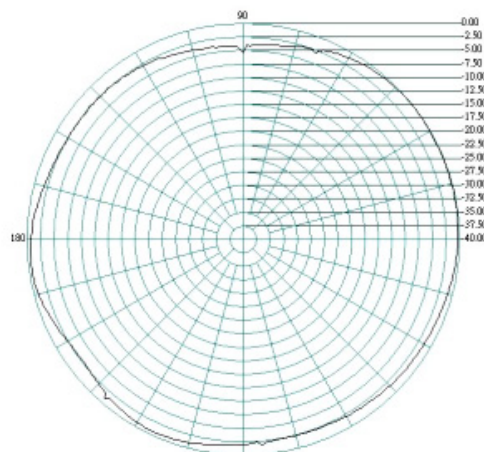
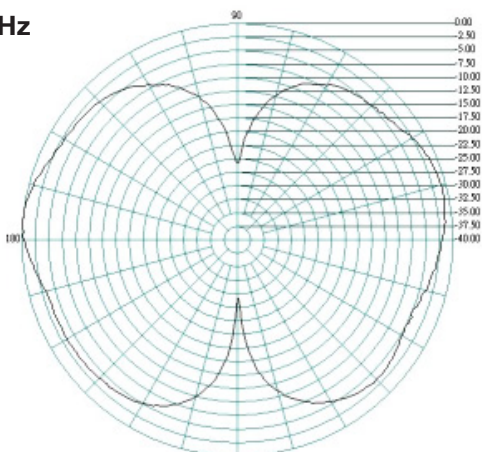
H-Plane



800MHz



900MHz

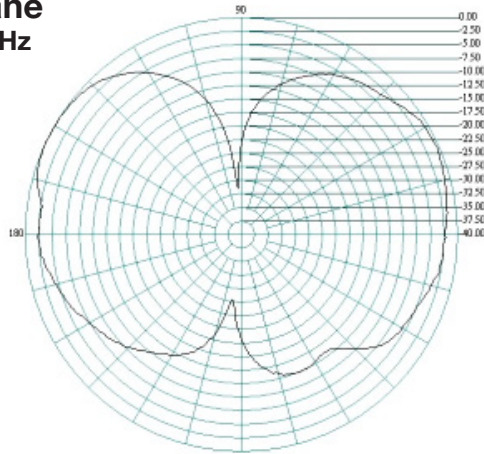




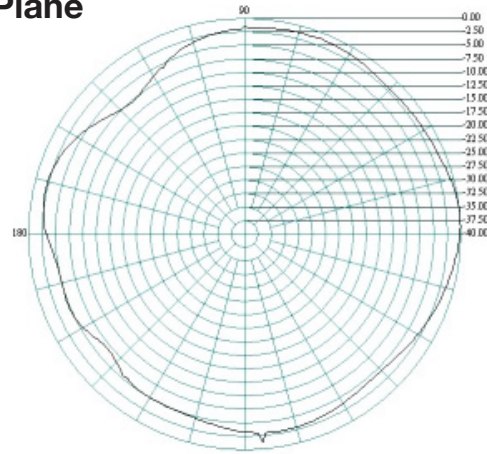
Oscar 420

3G/4G/WiFi MIMO Omni-directional Antenna

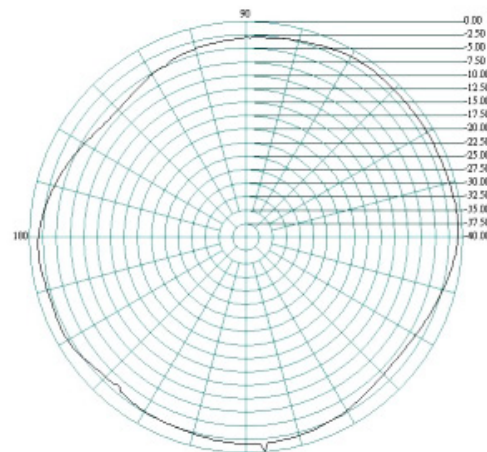
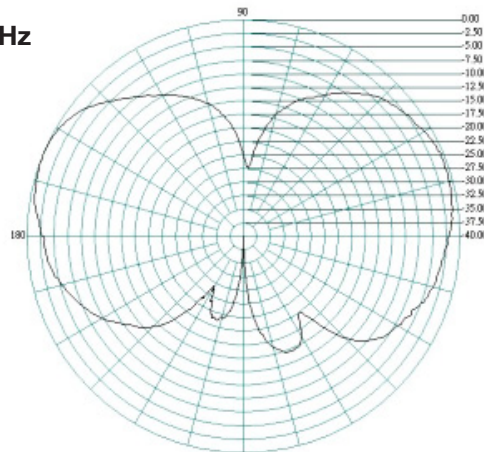
E-Plane
1700MHz



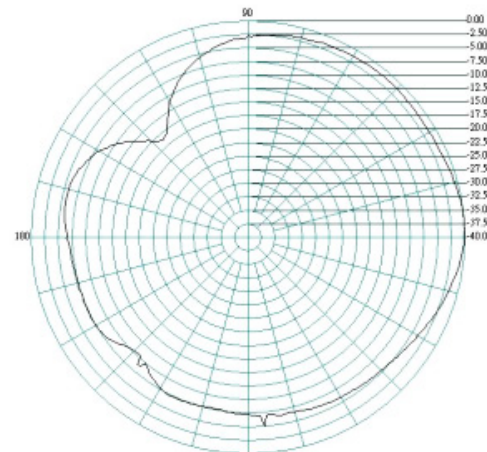
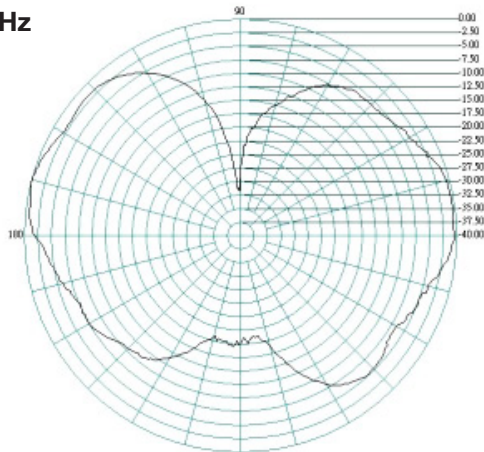
H-Plane



1800MHz



1900MHz

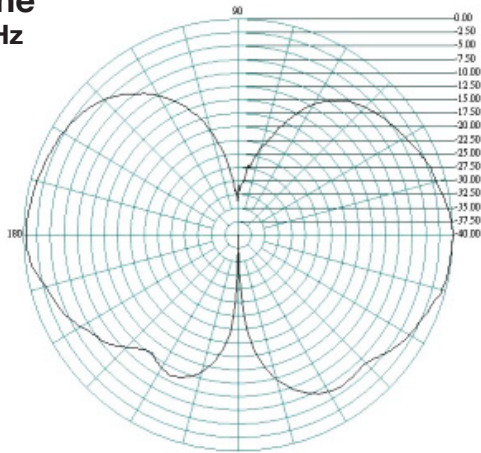




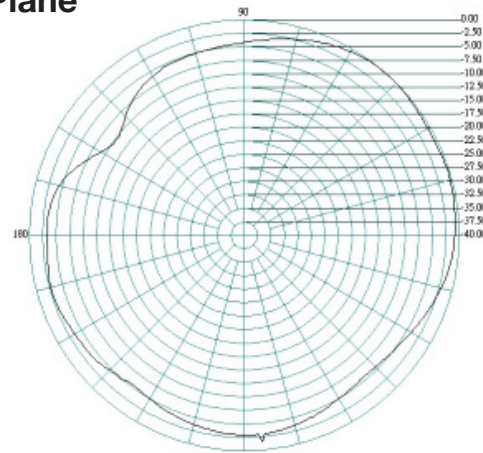
Oscar 420

3G/4G/WiFi MIMO Omni-directional Antenna

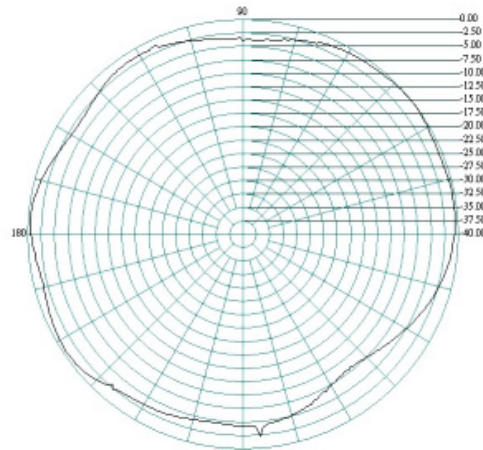
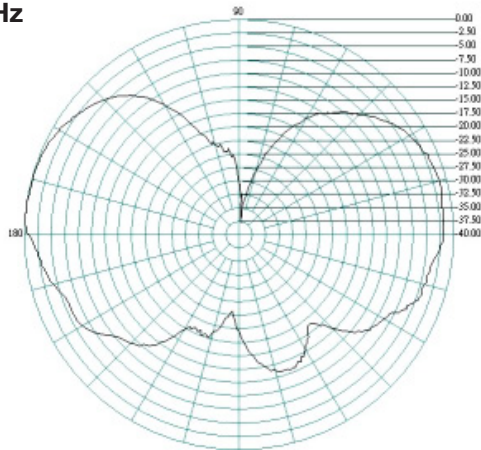
E-Plane
2100MHz



H-Plane



2200MHz



2400MHz

