

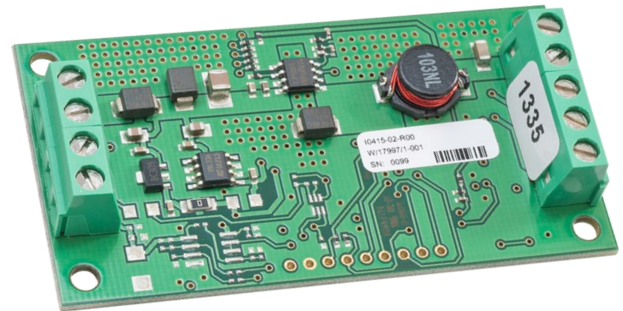
# DATA SHEET




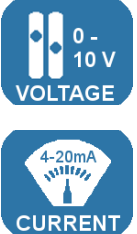

## OXY-LC

### Oxygen Sensor Interface Board

#### FEATURES

- Provides the electronics necessary to power and control SST's range of zirconium dioxide (ZrO<sub>2</sub>) sensors
- Built in pressure sensor for barometric pressure compensation
- Interface mounted screw terminals for easy wiring with reverse voltage and transient overvoltage



<p><b>Supply Voltage</b></p>  <p>24 V VOLTAGE</p>	<p><b>Temp</b></p>  <p>-30°C to +70°C TEMPERATURE</p>	<p><b>Digital Output</b></p>  <p>RS485 PWM</p>	<p><b>Analogue Output</b></p>  <p>0 - 10 V VOLTAGE 4-20mA CURRENT</p>	<p><b>Response Time</b></p>  <p>&lt; 4 secs &lt; 15 secs</p>
---	---	--	---	--

#### BENEFITS

- Adaptive software filtering provides a fast sensor response coupled with a stable oxygen output
- High accuracy linear output

#### TECHNICAL SPECIFICATIONS

Supply voltage	
RS485 variant:	8—28V <sub>DC</sub>
Analogue variants:	20—28V <sub>DC</sub>
Supply current	600mA max. at 24V <sub>DC</sub> 1.2A max. at 12V <sub>DC</sub>
Digital output	RS485 (Modbus RTU) or PWM
Analogue output	4—20mA; load 600Ω max or 0—10V <sub>DC</sub> ; load 10kΩ min
Temperature limits	
Storage:	-40°C to +85°C
Operating:	-30°C to +70°C
Operating pressure limits <sup>1</sup>	260—1260mbar absolute

#### OUTPUT VALUES

Oxygen range (analogue output)	0.1 <sup>2</sup> —25% O <sub>2</sub> or 0.1 <sup>2</sup> —100% O <sub>2</sub>
Oxygen range (Modbus RTU)	0.1 <sup>2</sup> —100% O <sub>2</sub>
Accuracy after calibration <sup>3</sup>	0.5% O <sub>2</sub>
Repeatability after calibration	0.5% O <sub>2</sub>
Output resolution	0.01% O <sub>2</sub>
Response time (step 10—90%)	
Fast response sensor connected:	4s
Standard response sensor connected:	15s
Initial warm up time (till stable output)	5—10mins
Output inactive start up delay (heater warm up)	
From OFF to ON mode:	60s
From Standby to ON mode (RS485 only):	20s

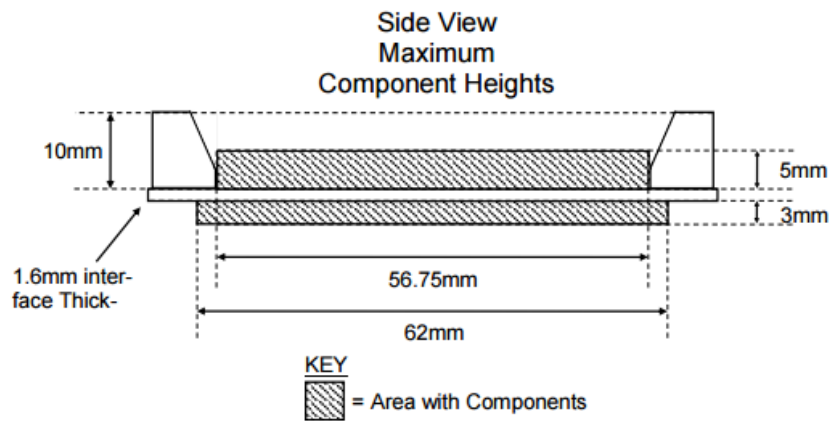
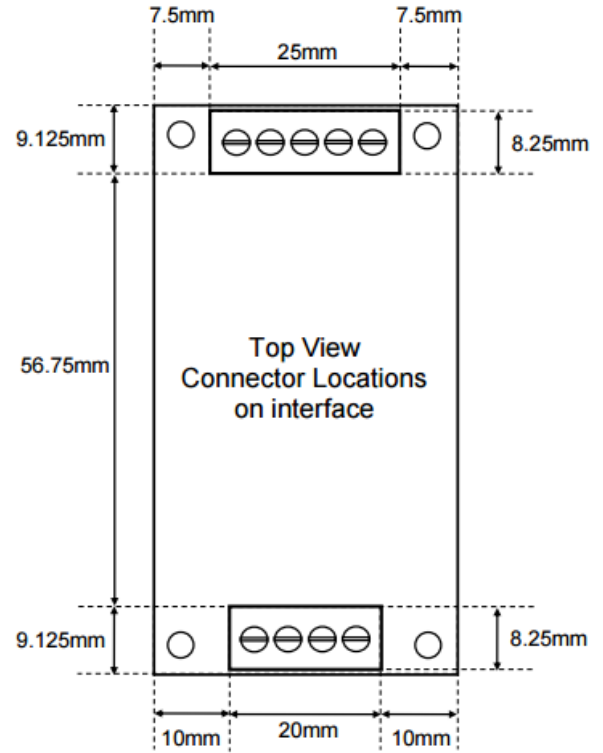
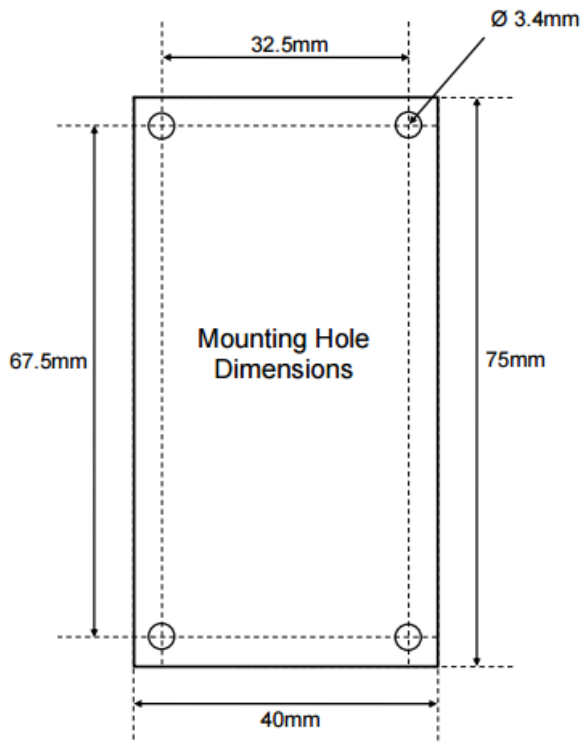
**Need help? Ask the expert**  
**Tel: + 44 (0)1236 459 020**  
**and ask for "Technical"**



1) Sensor and interface for correct barometric pressure compensation.  
 2) Prolonged operation below 0.1% O<sub>2</sub> can damage the sensing element.  
 3) Analogue output variants accuracy stated is valid when calibrated at the default calibration value. RS485 variant accuracy stated is valid when calibrated at the default 20.7% O<sub>2</sub> over the range 0.1 to 25% O<sub>2</sub>. For maximum accuracy above 25% O<sub>2</sub> the interface and sensor should be calibrated to full scale of the required range using certified gas.

# OUTLINE DRAWING AND MOUNTING INFORMATION

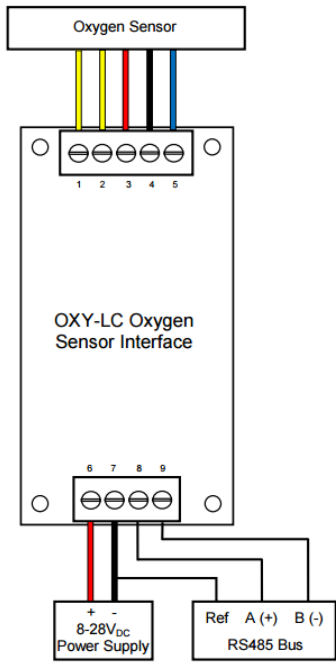
All dimensions shown in mm. Tolerances =  $\pm 1$ mm.



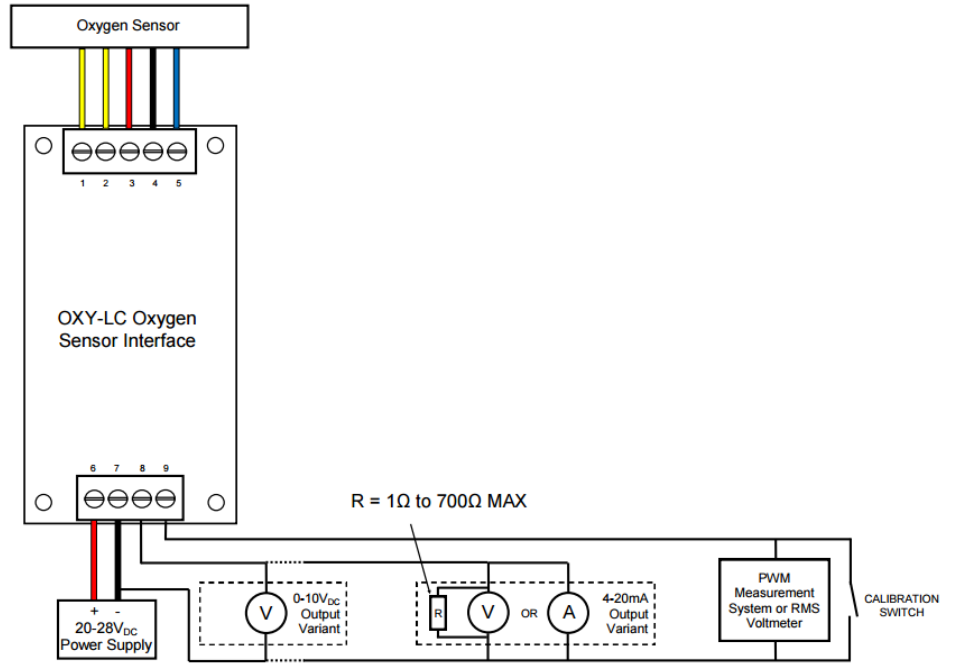


Always handle the interface board using the correct ESD handling precautions.

**RS485 Variant**



**Analogue Variants**



Pin	Assignment
1	Sensor Heater + (1)
2	Sensor Heater 0V <sub>DC</sub> (2)
3	Sensor Pump
4	Sensor Common
5	Sensor Sense
6	8—28V <sub>DC</sub>
7	0V <sub>DC</sub>
8	RS485 A (+)
9	RS485 B (-)

Pin	Assignment
1	Sensor Heater + (1)
2	Sensor Heater 0V <sub>DC</sub> (2)
3	Sensor Pump
4	Sensor Common
5	Sensor Sense
6	20—28V <sub>DC</sub>
7	0V <sub>DC</sub>
8	4—20mA or 0—10V <sub>DC</sub>
9	Calibrate IN/PWM OUT

Comm. Setting	Default Value
Address	1
Baudrate	9600
Parity	None
Stopbits	1

O <sub>2</sub> %	Output Value			
	0—10V <sub>DC</sub>		4—20mA	
	0.1—25% O <sub>2</sub>	0.1—100% O <sub>2</sub>	0.1—25% O <sub>2</sub>	0.1—100% O <sub>2</sub>
20.7%	8.28V <sub>DC</sub>	2.07V <sub>DC</sub>	17.25mA	7.34mA
100%	-	10V <sub>DC</sub>	-	20mA
90%	-	9.0V <sub>DC</sub>	-	18.4mA
25%	10V <sub>DC</sub>	2.5V <sub>DC</sub>	20mA	8mA
5%	2.0V <sub>DC</sub>	0.5V <sub>DC</sub>	7.2mA	4.8mA
0.1%	0.04V <sub>DC</sub>	0.01V <sub>DC</sub>	4.06mA	4.02mA

**Notes:**

- Output pins 1 through 5, refer to appropriate SST oxygen sensor datasheet for wiring/pin designations.
- Every SST oxygen sensor has two heater connections which should be connected to pins 1 & 2 of the OXY-LC; the heater coil has no polarity. However when connecting to a sensor where the sensor housing is one of the heater connections, pin 2 of the OXY-LC should be connected to the housing.