



| P1A

Pressure Sensor

Description

P1A family features a highly modular compact geometry. This modularity and extensive range of options offered by the P1A family make the advantages of Ceramic Capacitive technology in low-pressure sensing now available to the broadest spectrum of industrial applications. Besides the multiple standard configurations available, customized adaptations can also be considered.

Kavlico's P1A Ceramic Capacitive Pressure Sensor incorporates the latest generation sensing elements with state-of-the-art ASICs. Designed to withstand harsh environments, it features superior EMI protection, outstanding shock and vibration performance, impressive longevity and lifetime performance and high quality. It is tested to parameters that match or exceed those of competing products on the market.



Features

- Small Compact Size
- Highly Modular Product Configurations
- Kavlico Ceramic Capacitive Technology
- Outstanding Long Term Stability and Performance
- Vacuum to 16 Bar Gage and Absolute
- Media Resistant CCAP Technology

Applications

- Vacuum Machinery / Plant
- Medical and Laboratory Sterilizers / Autoclaves
- HVAC Systems
- Water Pump Booster Sets
- Pneumatic Systems
- Waste and Water Management
- Industrial OEM Applications

MAIN FEATURES

Pressure Ranges	0 to 0.25 up to 0 to 16 bar (gage) 0 to 1.6 up to 0 to 16 bar (absolute) -1 to 0 up to -1 to 0 bar (gage) *
Electrical Connection	Packard Electric Metri-Pack 150 Series *
Pressure Connection	G1/4A DIN 3852-E, 1/4 - 1/8 NPTF *
Housing Material	304 Stainless Steel (1.4301)
Connector Material	PBT (30% Glass Fibre)
Output Signal	4 - 20 mA, 0.5 - 4.5 VDC, 0 - 5 VDC, 0 - 10 VDC



Pressure Ranges

from 0 to...	bar (gage)	0.25	0.4	0.6	1	1.6	2.5	4	6	10	16
from 0 to...	bar (absolute)					1.6	2.5	4	6	10	16
Proof Pressure Factor		4x	4x	4x	4x	4x	4x	3x	3x	3x	2x
Burst Pressure Factor		6x	6x	6x	6x	6x	6x	5x	5x	4x	3x

from -1 to...	bar (gage)	0	1								
Proof Pressure	bar (gage)	-1 / +4	-1 / +4								
Burst Pressure	bar (gage)	6	6								

from 0 to...	PSI (gage)	5	10	15	20	30	50	75	100	150	200
from 0 to...	PSI (absolute)				20	30	50	75	100	150	200
Proof Pressure Factor		4x	4x	4x	4x	4x	4x	3x	3x	3x	2x
Proof Pressure Factor		6x	6x	6x	6x	6x	6x	5x	5x	4x	3x

Physical

Operating Life Cycle	min. 10 million full pressure cycles over the full range
Vibration Resistance	IEC 60068-2-64 (RANDOM) 20 PSD
Shock Resistance	100 g minimum according to DIN EN 60068-2-27
Drop Test	1 meter drop on concrete as per SAE J1455 / DIN EN 60068-2-3-1
Weight	≤ 50 grams
Ingress Protection	IP 65 or IP67 - depending on electrical connector
Medium Temperature	-30°C to + 120°C (others on request)
Environmental Temperature	-30°C to + 100°C (depending on internal and external seal ring capability) ¹
Storage Temperature	-30°C to + 100°C (depending on internal and external seal ring capability) ¹
Media	All class II fluids and gases compatible with stainless steel 304 (1.4301) and the internal and external (optional) seal ring material

Performance

Accuracy²	≤ 1 % of span ⁴
Non-linearity³	0.2 % of span ⁴
Non-repeatability	0.1 % of span ⁴
1-year stability	0.2 % of span ⁴
Temp. Coefficients - Zero	0.2 % of span / 10 K within temperature range 0°C to + 80°C.2 %
Temp. Coefficients - Span	0.2 % of span / 10 K within temperature range 0°C to + 80°C.2 %

Electrical

Output Signal	4...20 mA	0.5...4.5 VDC ratiometric	0...5 VDC	0...10 VDC
Operating Supply Signal	9-30 VDC ⁴	5 VDC ± 5% ⁴	8-30 VDC ⁴	14-30 VDC ⁴
Power Consumption	≤ 600 mW	≤ 25 mW	≤ 600 mW	≤ 600 mW
Overvoltage Protection	min. 33 VDC	min. 33 VDC	min. 33 VDC	min. 33 VDC
Short-circuit Proofness	not applicable	Yes ⁵	Yes ⁵	Yes ⁵
Insulation Voltage	500 VDC	500 VDC	500 VDC	500 VDC
Reverse Polarity Protection	Yes ⁶	Yes ⁶	Yes ⁶	Yes ⁶
Load	≤ (Vsup-8 VDC)/(0.02 A) [Ω]	≥ 4.7 kΩ	≥ 4.7 kΩ	≥ 4.7 kΩ
Response Time	≤ 5 ms max. to 63% of full scale pressure with step change on input			

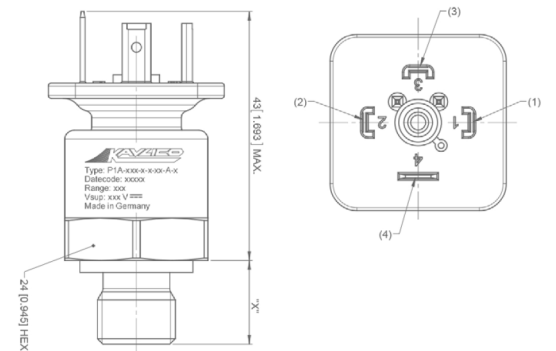
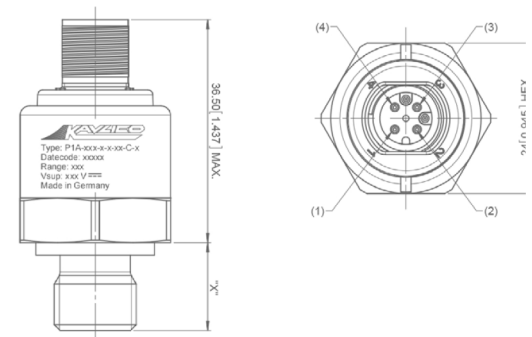
DIMENSIONS

Dimensions in mm [Inch]

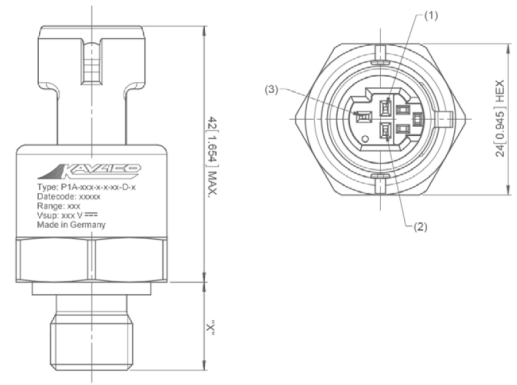
Pressure Sensor with Electrical Connection

M12 Pin Call Outs				
Output	Pin 1	Pin 2	Pin 3	Pin 4
4-20 mA	Vsup	...	Iout	...
0.5-4.5 VDC ratiometric	Vsup	...	Vout	GND
0-5 VDC	Vsup	...	Vout	GND
0-10 VDC				

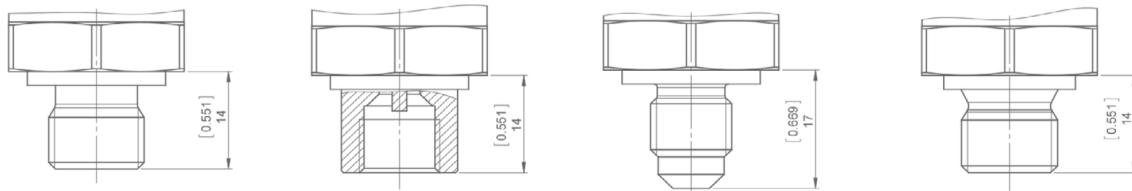
18 mm Pin Call Outs				
Output	Pin 1	Pin 2	Pin 3	Pin 4
4-20 mA	Vsup	Iout
0.5-4.5 VDC ratiometric	Vsup	Vout	GND	...
0-5 VDC	Vsup	Vout	GND	...
0-10 VDC				



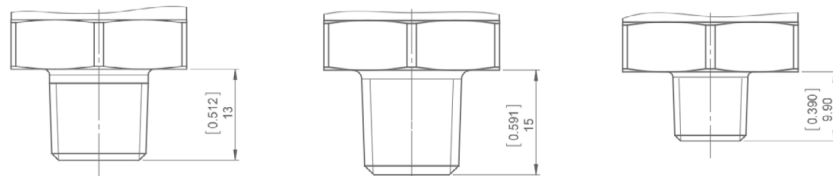
Packard (metri-pack 150) Pin Call Outs			
Output	Pin 1	Pin 2	Pin 3
4-20 mA	Iout	Vsup	...
0.5-4.5 VDC ratiometric	GND	Vsup	Vout
0-5 VDC	GND	Vsup	Vout
0-10 VDC			



Pressure Connections and Recommended Installation Torque



Name	G1/4A DIN 3852-E	7/16-20 UNF-2B SAE J1926-1	7/16-20 UNF-2A SAE J1926-2	G1/4A DIN 3852-A
Thread	External	Internal	External	External
Torque	20 Nm	20 Nm	20 Nm	20 Nm



Name	1/4-19 BSPT R1/4 PER DIN EN 10226	1/4-18 NPTF	1/8-27 NPTF
Thread	External	External	Internal
Torque	20 Nm	20 Nm	20 Nm

Note: Recommended torque may vary according to material and specific application

GENERAL NOTES

* for more options see How to Order

²Including non-linearity, hysteresis, non-repeatability, zero point and full scale error (corresponds to error of measurement per IEC 61298-2). Adjusted in vertical mounting position with pressure port down.

³BFSL according to IEC 61298-2 reference conditions to EN 61298-1

⁴Others on request

⁴Unit shall be supplied by a power supply with double/reinforced insulation (SELV) and limited energy in accordance to UL/EN/IEC 61010-1 or LPS in accordance to UL/EN/IEC 60950-1 or class 2 per UL1310/UL1585 (NEC or CEC). The power supply shall be approved for usage above 2000m if the pressure sensor is used in this environment.

For indoor and outdoor use, not exposed to direct sunlight.

⁵for min. 3 intervals at 5 minutes each

⁶for min. 10 seconds on assigned pins



P1A Sensor, 0 - 2.5 bar Gage, 4 - 20 mA Output, No External Seal Ring, G1/4 DIN 3852-E Pressure Connection, with 18mm, EN 175301-803-A003MS, 4 pole Electrical Connector and Fluorocarbon FKM Internal Seal Ring

Family	P1A	-	06	-	G	-	1	-	A	-	01	-	A	-	D
P1A															
Pressure Ranges															
01 0 - 0.25 Bar	50 0 - 5 PSI														
02 0 - 0.4 Bar	51 0 - 10 PSI														
03 0 - 0.6 Bar	52 0 - 15 PSI														
04 0 - 1 Bar	53 0 - 20 PSI														
05 0 - 1.6 Bar	54 0 - 30 PSI														
06 0 - 2.5 Bar	55 0 - 50 PSI														
07 0 - 4 Bar	56 0 - 75 PSI														
08 0 - 6 Bar	57 0 - 100 PSI														
09 0 - 10 Bar	58 0 - 150 PSI														
10 0 - 16 Bar	59 0 - 200 PSI														
30 -1 - 0 Bar															
31 -1 - 1 Bar															
Reference															
A: Absolute															
G: Gage															
Output															
1: 4-20 mA															
2: 0.5-4.5 VDC radiometric															
3: 0-5 VDC															
4: 0-10 VDC															
External Seal Ring															
A: None															
B: Fluorocarbon FKM (Viton) <i>Only for pressure connection port option 1 lower temperature limited to -20°C</i>															
C: Aluminium Washer G1/4 <i>Only for pressure connection port option 4</i>															
D: Copper Washer G1/4 <i>Only for pressure connection port option 4</i>															
F: Ethylene Propylene - EPDM <i>Only for pressure connection port option 1</i>															
Pressure Connection (Port)															
01: G 1/4A DIN 3852-E	05: 1/4-19 BSPT														
02: 7/16-20UNF-2B (female) SAE J1926-1 (modified) <i>With 45° cone and schrader</i>	<i>Is equivalent to 1/4-19PT and R1/4 per DIN EN 10226 5</i>														
03: 7/16-20UNF-2A (male) SAE J1926-2 (modified) <i>With 45° cone</i>	06: 1/4-18 NPTF														
04: G1/4A DIN 3852-A	11: 1/8-27 NPTF														
Built-In Electrical Connection															
A: 18mm, EN 175301-803-A003MS, 4 pole <i>Sensor delivered without mating connector</i>	D: Packard Metri-Pack 150, 3 pole <i>Sensor delivered without mating connector</i>														
C: M12, 4 pole according to IEC 61076-2-101 <i>Sensor delivered without mating connector</i>															
Internal Seal Ring															
C: Neoprene - CR <i>Operating Temp: - 30 to 120°C</i>	E: Fluorosilicone - FVMQ <i>Operating Temp: - 30 to 120°C</i>														
D: Fluorocarbon - FKM (VITON) <i>Operating Temp: - 20 to 120°C</i>	F: Ethylene Propylene - EPDM <i>Operating Temp: - 30 to 120°C</i>														



Before installation and operation, ensure that the appropriate pressure sensor has been selected in terms of pressure range, design and specific measuring conditions. Non-compliance can result in serious injury and/or damage to the equipment.

Warning: The product information contained in this catalogue is given purely as information and does not constitute a representation, warranty or any form of contractual commitment. Kavlico reserve the right to modify their products without notice. It is imperative that we should be consulted over any particular use or application of our products and it is the responsibility of the buyer to establish, particularly through all the appropriate tests, that the product is suitable for the use or application. Under no circumstances will our warranty apply, nor shall we be held responsible for any application (such as any modification, addition, deletion, use in conjunction with other electrical or electronic components, circuits or assemblies, or any other unsuitable material or substance) which has not been expressly agreed by us prior to the sale of our products.