

Panel Potentiometer

P260 / P261 Series



Features:

- Sealed / dust proof
- 1,000,000 cycle life
- Rotary switch option
- Detent and wire lead options
- Multiple gangs available
- **Meets MIL-PRF-94 requirements**



Description:

12.7mm (1/2") Square, Rotary Potentiometer, with metal shaft and bushing. Options include audio and linear resistance tapers; flatted and slotted shafts

Applications:

- Electric Guitars, Amplifiers, Mixers
- Drum Machines, Synthesizers

Model Styles Available

| | |
|--|-------|
| Side Adjust, PCB Leads, Potentiometer Module (Up to 6 gangs) | P260P |
| Side Adjust, PCB Leads, with Rotary Switch Module (Up to 5 gangs) | P260S |
| Side Adjust, PCB Leads, with Detent Module (Up to 6 gangs) | P260D |
| Top Adjust, PCB Leads, Potentiometer Module (Up to 2 gangs) | P260T |
| Potentiometer Module with Wire Leads (Up to 6 gangs) | P260L |
| Potentiometer Module with Ribbon Cable (Up to 6 gangs) | P260R |
| Side Adjust, Solder Lug Leads, Potentiometer Module (Up to 6 gangs) | P261P |
| Side Adjust, Solder Lug Leads, with Rotary Switch Module (Up to 5 gangs) | P261S |
| Side Adjust, Solder Lug Leads, with Detent Module (Up to 6 gangs) | P261D |

Electrical Characteristics

T_A = 25°C unless otherwise noted

| | |
|-------------------------------|--|
| Resistance Range | 500-1M (for "B" taper), 2K-1M (for other tapers) |
| Standard Resistance Tolerance | ±10% |
| Residual Resistance, Maximum | 2 Ω |
| Resistance Taper | Audio ("A", "C", "D"), Linear ("B") see note 3 |
| Maximum Operating Voltage | 350 Vac |
| Rated Power | 0.5W ("B" taper), 0.25W (other tapers) |
| Dielectric Strength | 1,500 Vac, sea level |
| Nominal Electrical Travel | 265° |
| Insulation Resistance | 1,000 MΩ |
| Gang Error (Dual Unit) | ±3dB (-40dB to 0dB) |

General Note

TT Electronics reserves the right to make changes in product specification without notice or liability. All information is subject to TT Electronics' own data and is considered accurate at time of going to print.

© TT electronics plc

TT Electronics | BI Technologies
413 Rood RD, Suite 7
Calexico, CA 92231
Ph: + 1 (714) 447-2345
www.ttelectronics.com

Rev - 09/2022 Page 1

Switch Characteristics

T_A = 25°C unless otherwise noted

| | |
|-----------------------------|-----------------|
| Switch Circuit | SPDT |
| Contact Resistance, Maximum | 150 mΩ |
| Rated Power | 0.5 A at 30 Vdc |
| Switch Life | 50,000 cycles |

Mechanical Characteristics

T_A = 25°C unless otherwise noted

| | |
|--------------------------------------|--|
| Mechanical Travel (Rotational angle) | 295° ± 10° |
| Rotational Torque, Maximum | 108 gf.cm (36 gf.cm in each additional gang) |
| Rotational Stop Strength | 2,880 gf.cm |
| Detent Torque, Minimum | 144 gf.cm |
| Nut Tightening Strength | 8 kgf.cm minimum |
| Rotational Life | 1,000,000 cycles |

Environmental Characteristics

T_A = 25°C unless otherwise noted

| | |
|-----------------------|--|
| Operating Temperature | -55°C to +125°C |
| IP Rating | Sealed = IP66 Dust proof = IP50 |
| Soldering Condition | Wave Soldering 260°C maximum for 1-3 seconds Hand Soldering 300°C maximum for 3 seconds |
| RoHS | Please refer to TT Electronics Website |
| REACH | Please refer to TT Electronics Website |

Packaging

| | |
|---------------------------|---|
| Standard Packaging | Plastic Trays |
| Hardware: A (3.2mm) Shaft | Lockwasher and Mounting Nut |
| B (6.35mm) Shaft | Flat Washer, Lockwasher, and Mounting Nut |

General Note

TT Electronics reserves the right to make changes in product specification without notice or liability. All information is subject to TT Electronics' own data and is considered accurate at time of going to print.

© TT electronics plc

TT Electronics | BI Technologies
413 Rood RD, Suite 7
Calexico, CA 92231
Ph: + 1 (714) 447-2345
www.ttelectronics.com

Rev - 09/2022 Page 2

Panel Potentiometer

P260 / P261 Series



Ordering Information

| | | | | | | | | | | | |
|------|---|---|---|---|---|---|---|---|---|---|------|
| P260 | D | - | D | 2 | 1 | A | F | 1 | C | B | 100K |
|------|---|---|---|---|---|---|---|---|---|---|------|

Part Family

P260 - PC Pins, Wires, or Ribbon Cable
 P261 - Solder Lugs (only P, S, and D styles)

Style

P - Potentiometer
 S - with Switch
 D - with Detent Module
 T - Top Adjust
 L - with Lead Wires
 R - with Ribbon Cable

Seal Type

S = Sealed
 D = Dust Proof

Number of gangs

Up to 6
 (2 max. on T style and 5 max. on S style)

Detent (D style only)

Omit = No Detent
 1 = Center Detent
 2 = 11 Detents
 3 = 21 Detents

Bushing and Shaft size

A = 3.2mm shaft
 B = 6.35mm shaft
 (See Note 1)

Total Resistance
 See Resistance Table below

Resistance Taper

A = Audio (15A)
 B = Linear(1B)
 C= Reverse Audio(15C)
 D= Audio (10A)
 (See Note 4)

Full CCW Position

(See Note 3)

Shaft Length code

(See Note 2)

Shaft type

S = Slotted
 F = Flatted
 (See Note 2)

| Resistance table | | | | | | | | | | |
|------------------|-------|-------|-------|--------|--------|--------|---------|---------|---------|-----------|
| Resistance | 1,000 | 2,000 | 5,000 | 10,000 | 20,000 | 50,000 | 100,000 | 200,000 | 500,000 | 1,000,000 |
| Code | 1K | 2K | 5K | 10K | 20K | 50K | 100K | 200K | 500K | 1MEG |

General Note

TT Electronics reserves the right to make changes in product specification without notice or liability. All information is subject to TT Electronics' own data and is considered accurate at time of going to print.

© TT electronics plc

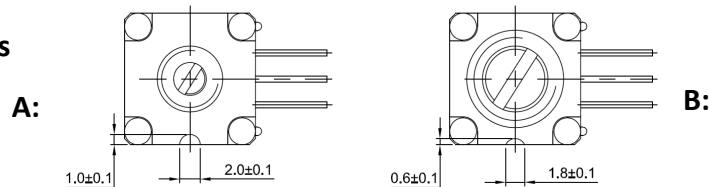
TT Electronics | BI Technologies
 413 Rood RD, Suite 7
 Calexico, CA 92231
 Ph: + 1 (714) 447-2345
 www.ttelectronics.com

Outline Drawings

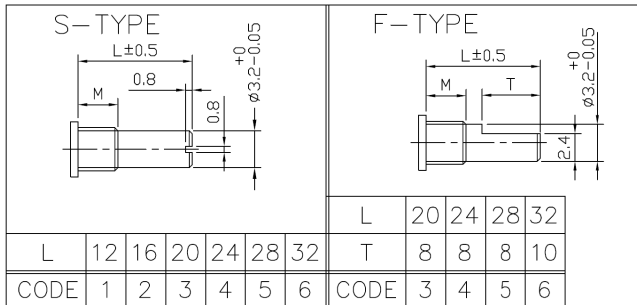
Note 1:
Bushing and Shaft Combinations

| CODE | BUSHING SIZE | BUSHING LENGTH "M" | SHAFT ϕ | ANTI-ROTATION LUG (mm) |
|------|---------------|--------------------|---------------|------------------------------|
| A | 6.35mm (1/4") | 6.35mm (1/4") | 3.2mm (1/8") | 2.0±0.1 x 1.0±0.1 x 1.0 TALL |
| B | 9.5mm (3/8") | 9.5mm (3/8") | 6.35mm (1/4") | 1.8±0.1 x 0.6±0.1 x 1.0 TALL |

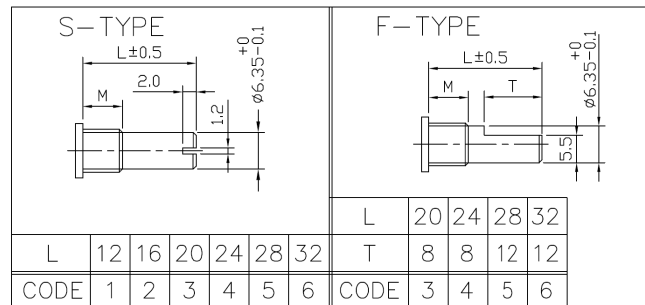
Anti-Rotation Lug Sizes



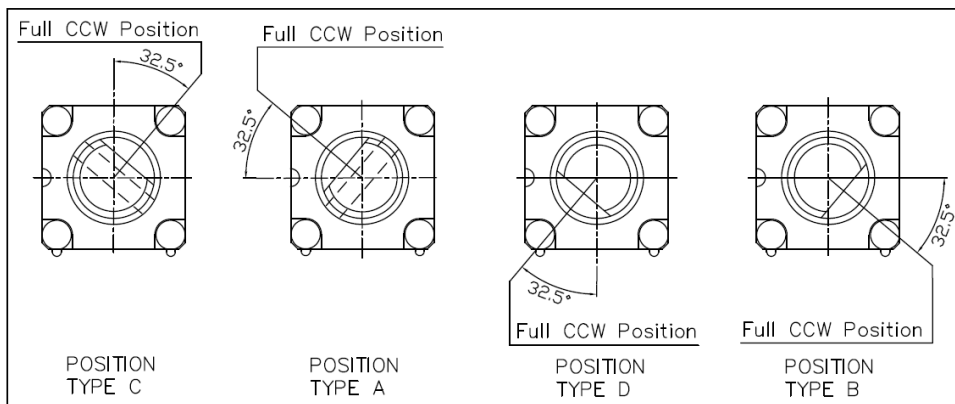
Note 2:
Shaft Type and Shaft Length "L" Code For 3.2mm (1/8")



Shaft Type and Shaft Length "L" Code For 6.35mm (1/4")

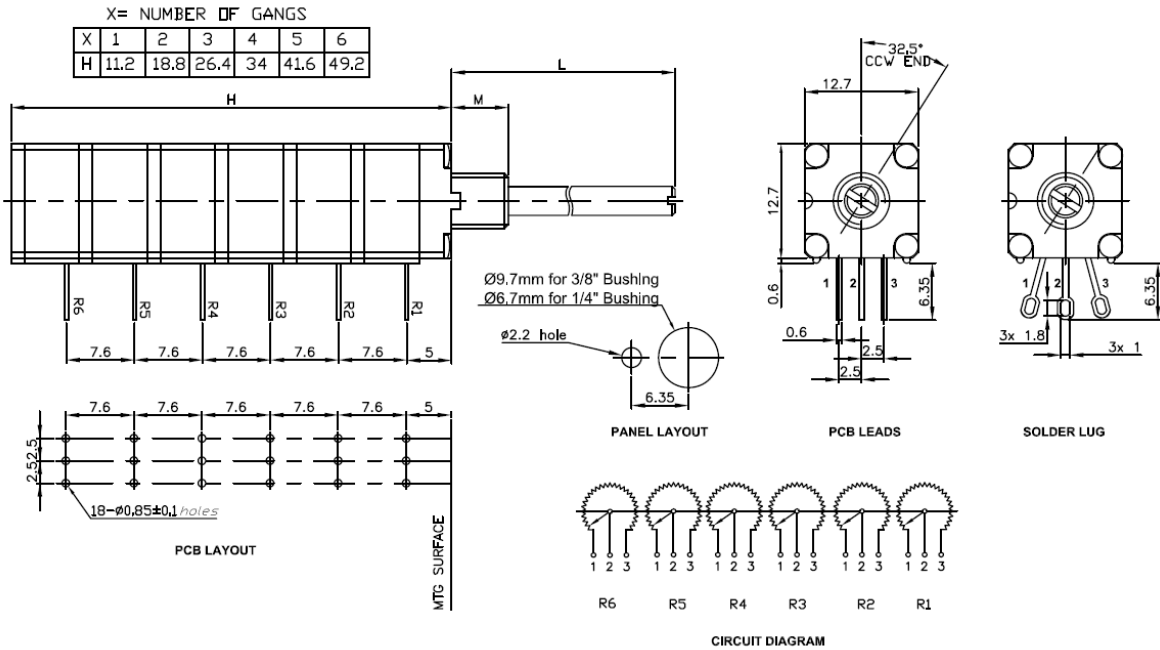


Note 3:
Shaft Position (F-Type Shaft)
Dashed lines on Type "C" and Type "A" shows position of adjustment slot for S-Type shaft



Outline Drawings

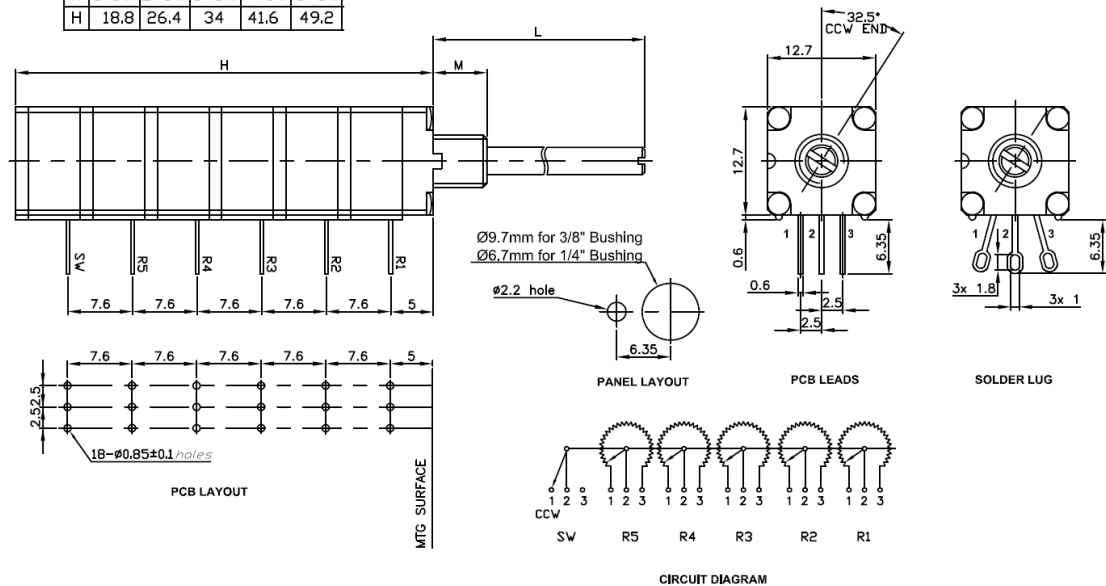
P260P/P261P—POTENTIOMETER MODULE



P260S/P261S— WITH ROTARY SWITCH MODULE

X = NUMBER OF GANGS + 1 SWITCH
(SWITCH WILL BE IN LAST POSITION)

| | | | | | |
|---|------|------|-----|------|------|
| X | 1+S | 2+S | 3+S | 4+S | 5+S |
| H | 18.8 | 26.4 | 34 | 41.6 | 49.2 |



General Note

TT Electronics reserves the right to make changes in product specification without notice or liability. All information is subject to TT Electronics' own data and is considered accurate at time of going to print.

© TT electronics plc

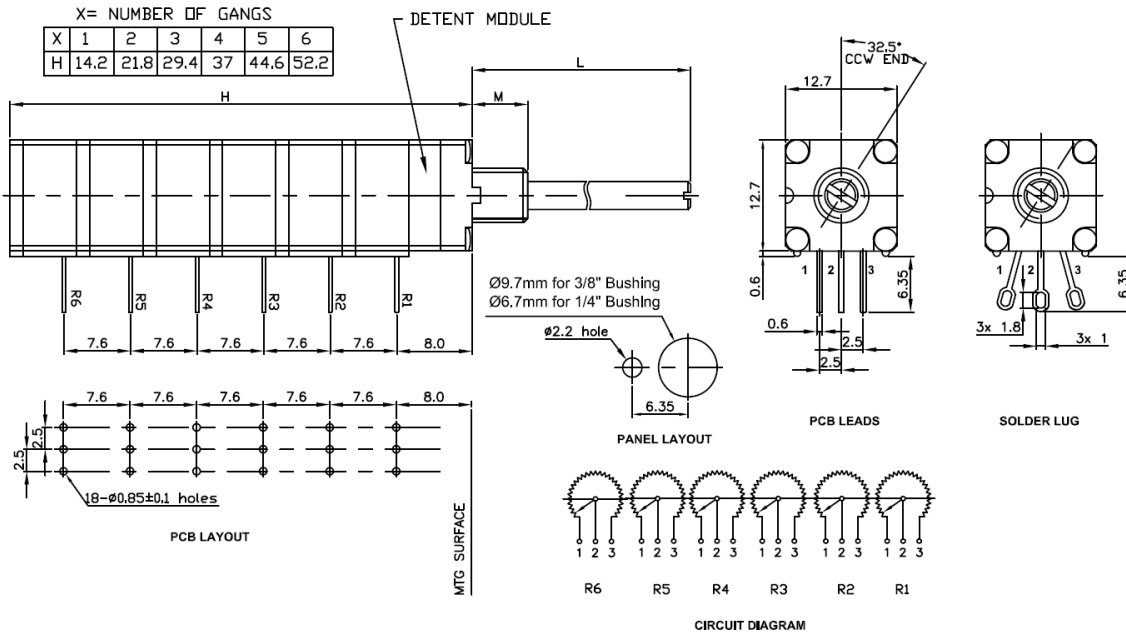
Panel Potentiometer

P260 / P261 Series

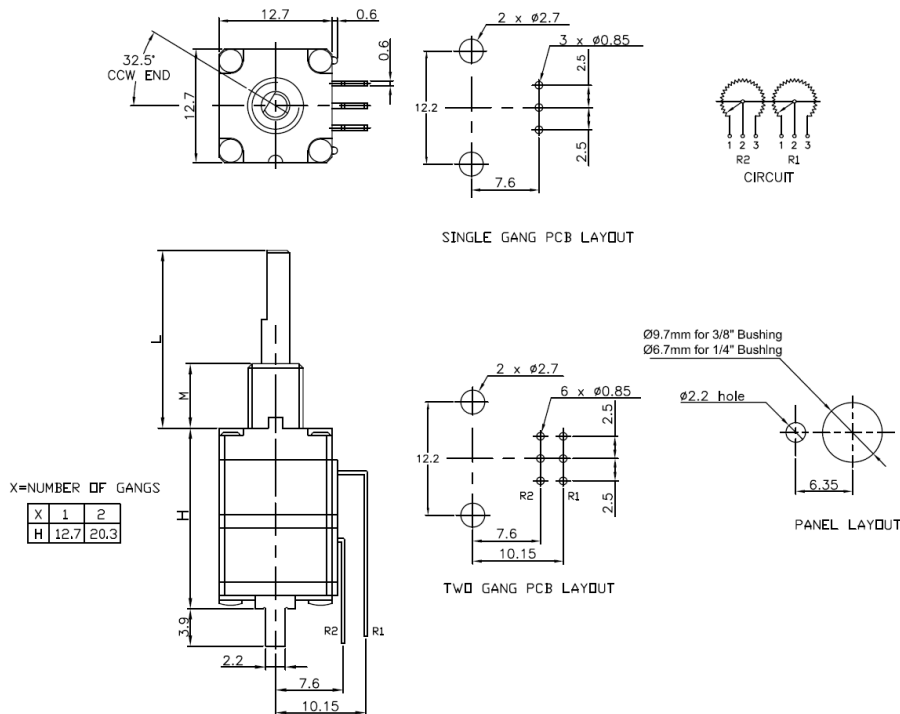


Outline Drawings

P260D/P261D—WITH DETENT MODULE



P260T—TOP ADJUST, POTENTIOMETER MODULE



General Note

TT Electronics reserves the right to make changes in product specification without notice or liability. All information is subject to TT Electronics' own data and is considered accurate at time of going to print.

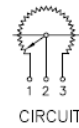
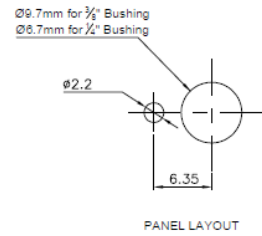
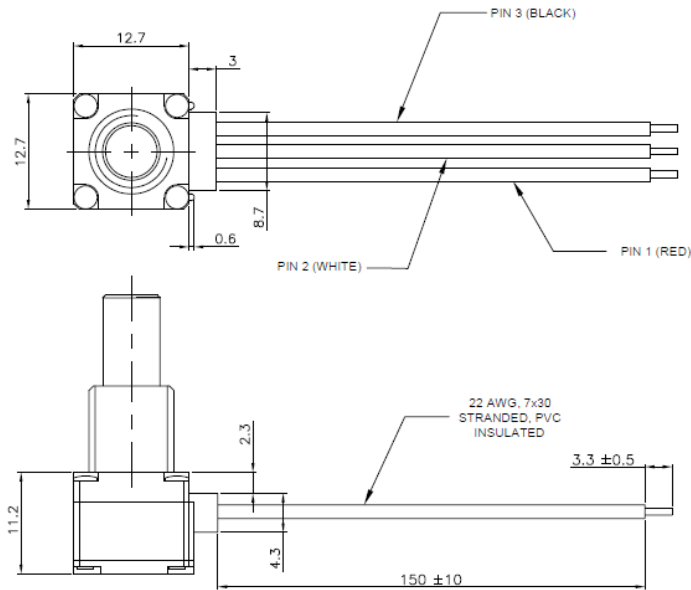
© TT electronics plc

TT Electronics | BI Technologies
413 Rood RD, Suite 7
Callexico, CA 92231
Ph: + 1 (714) 447-2345
www.ttelectronics.com

Rev - 09/2022 Page 6

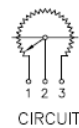
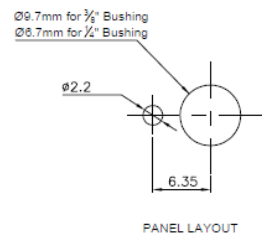
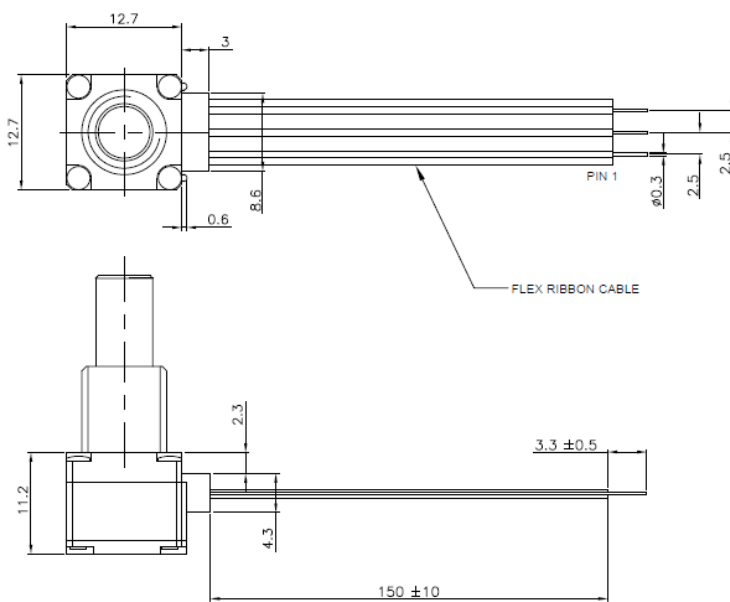
Outline Drawings

P260L - WITH WIRE LEADS



Contact Factory for Custom Options

P260R - WITH RIBBON CABLE



Contact Factory for Custom Options

General Note

TT Electronics reserves the right to make changes in product specification without notice or liability. All information is subject to TT Electronics' own data and is considered accurate at time of going to print.

© TT electronics plc