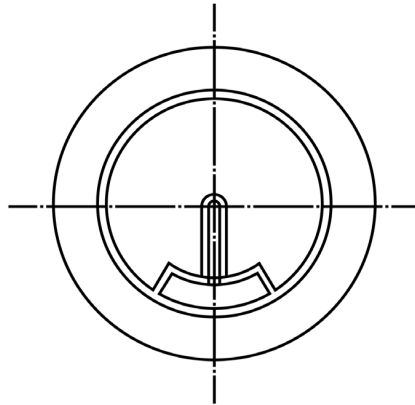
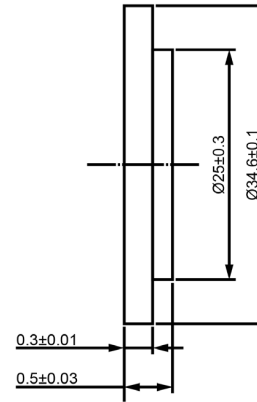


TOP VIEW



SIDE VIEW



Specifications

Description	Value	Unit
Resonant Frequency	2,900	(Hz)
Resonant Impedance (Max)	200	(Ohm)
Max Input Voltage	30	(V)
Capacitance	40,000	(pF)
Plate Material	Stainless Steel	
Operating Temperature	-20 ~ +60	°C
Storage Temperature	-20 ~ +70	°C

Notes

Additional considerations can be found at www.dbunlimitedco.com/technical-articles

- 1) All dimensions are in mm unless otherwise noted
- 2) All parts meet RoHS



Revision History

Version	Description	Date	Approved		
1	Released from Engineering	10/21/2013	J.S		
Drawn by	Date	Checked by	Date	Approved by	Date
A.B.	10/21/2013	C.E.	10/21/2013	J.S	10/21/2013

Piezo Bender

P34026-1

Additional considerations can be found at www.dbunlimitedco.com/technical-articles.